
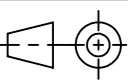
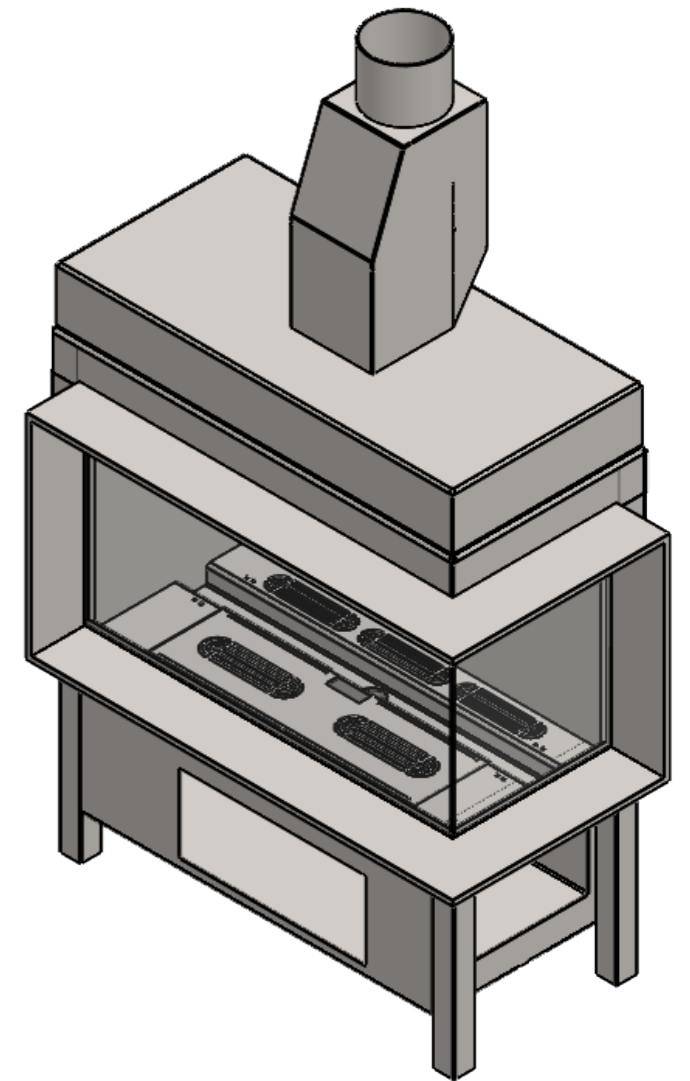
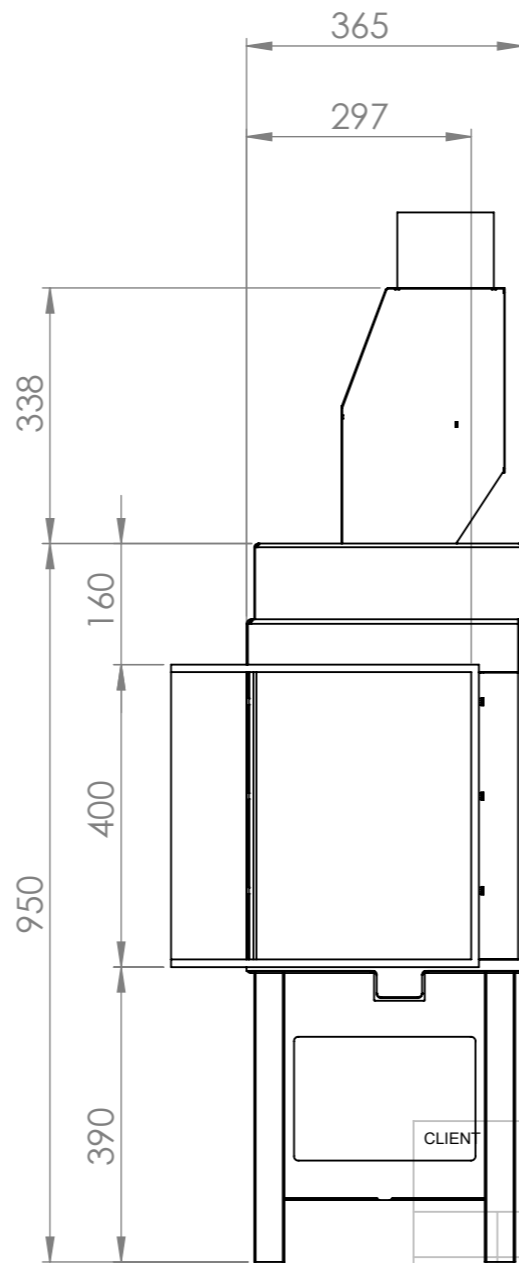
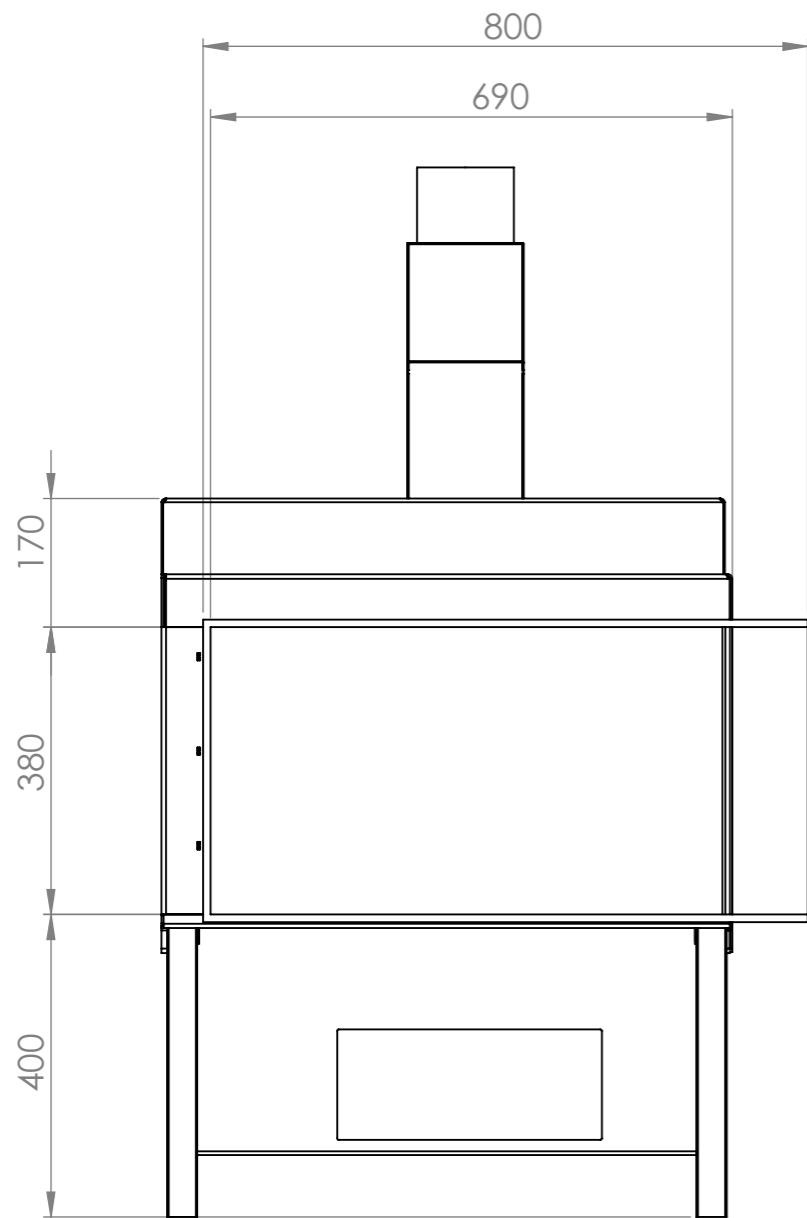
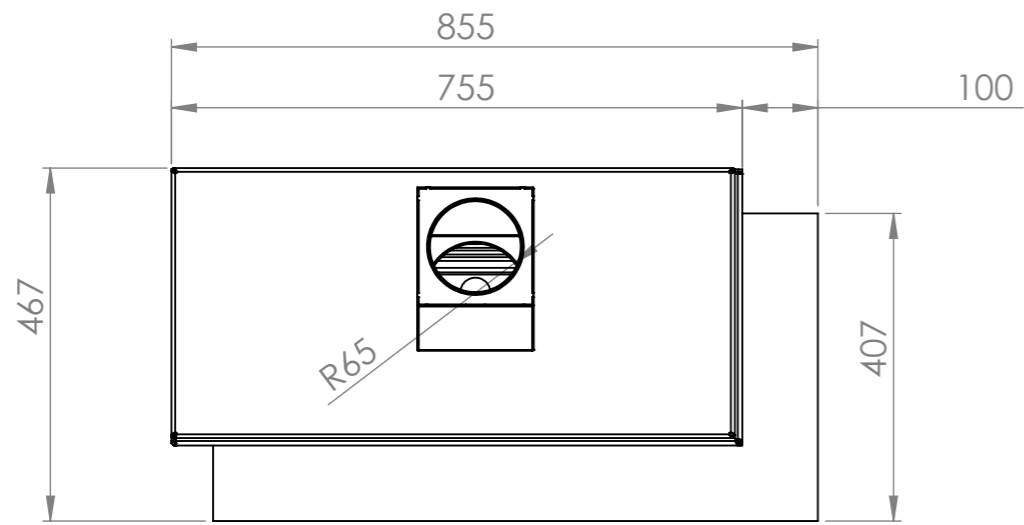
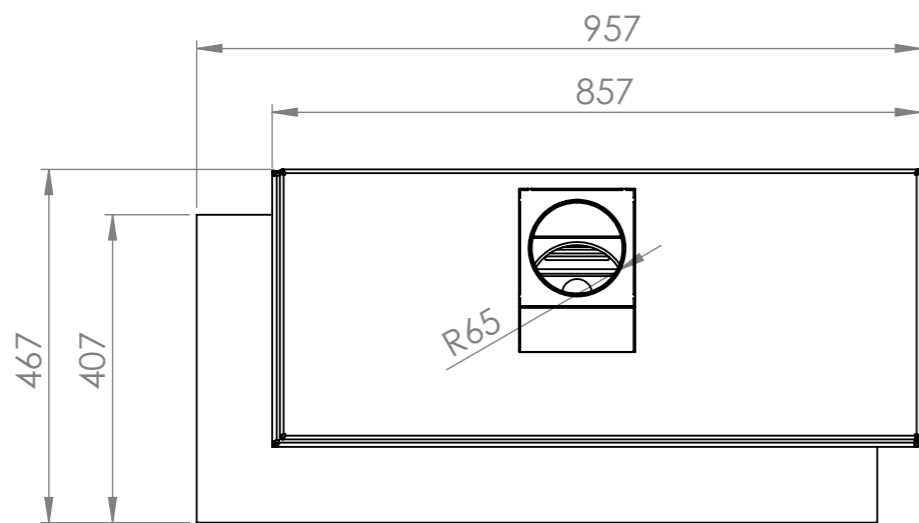
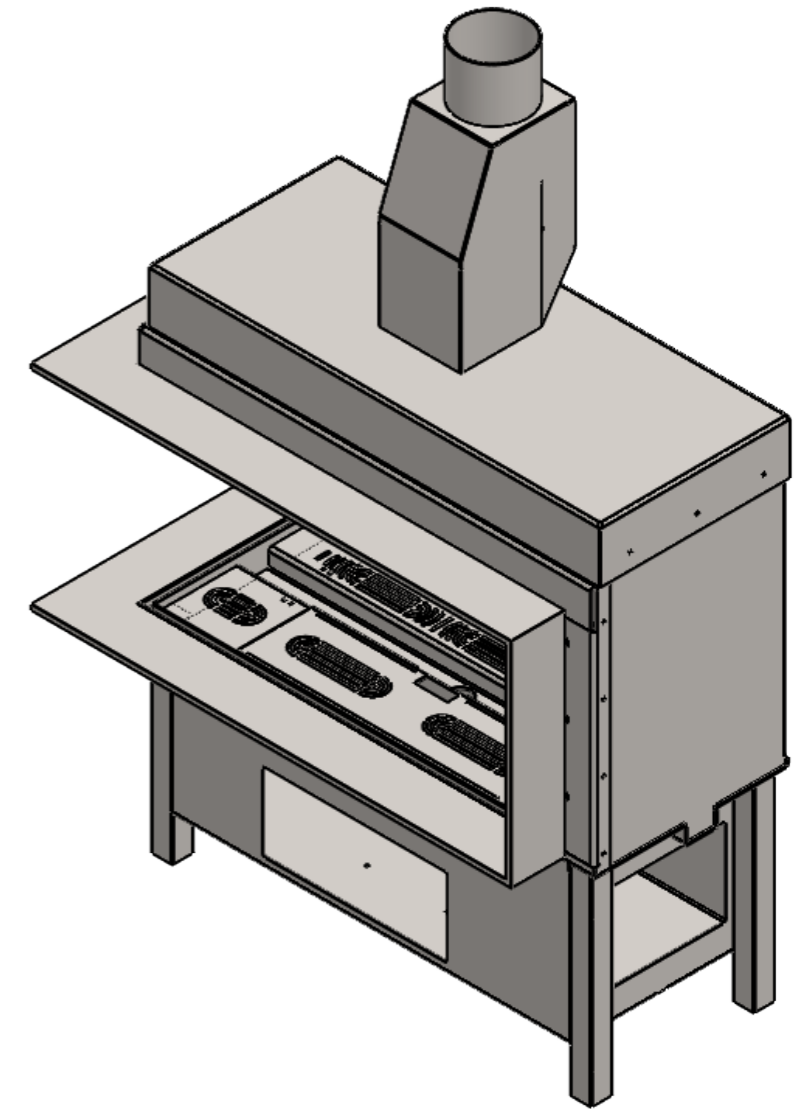
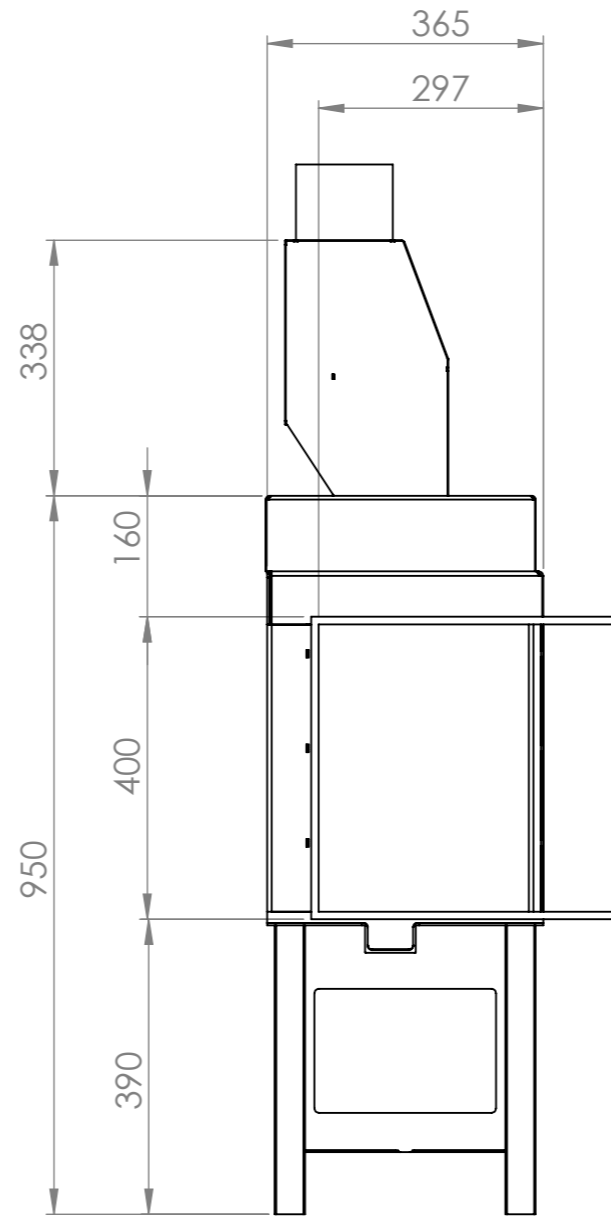
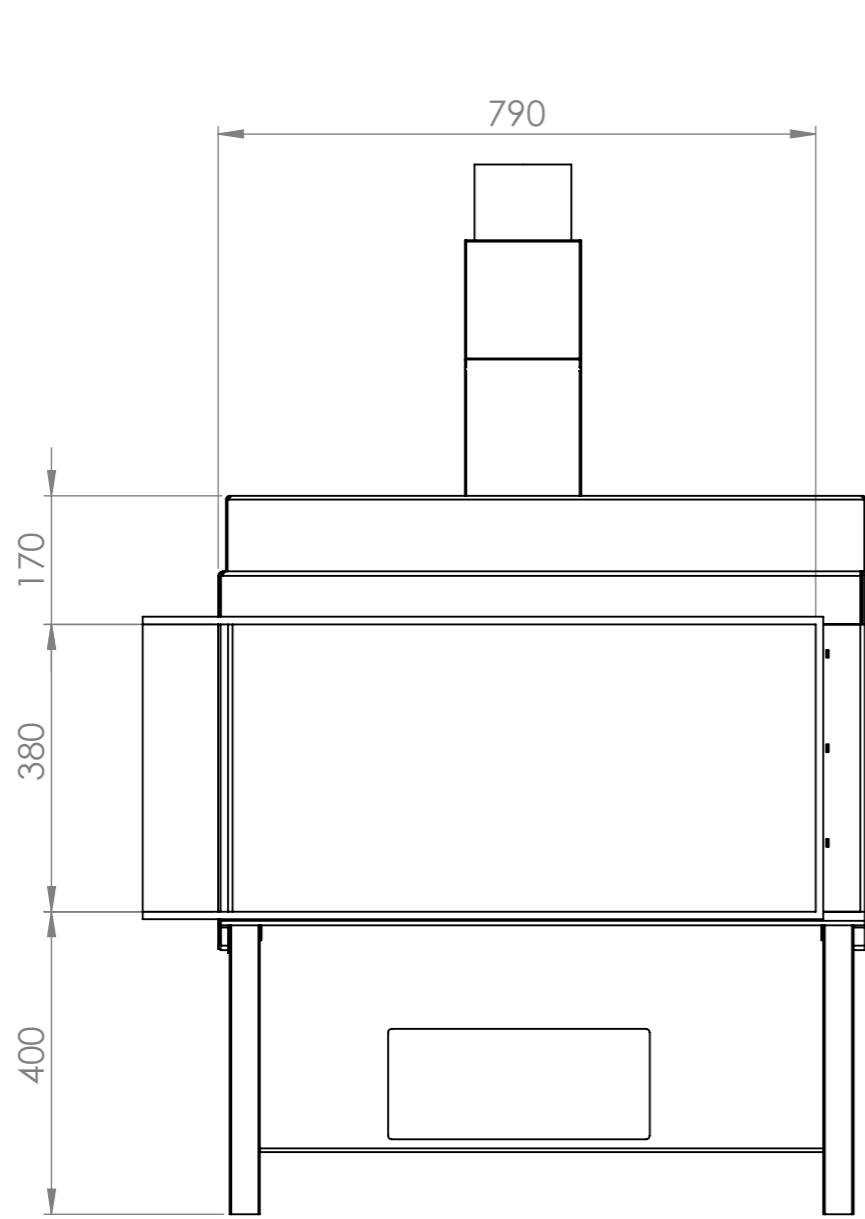


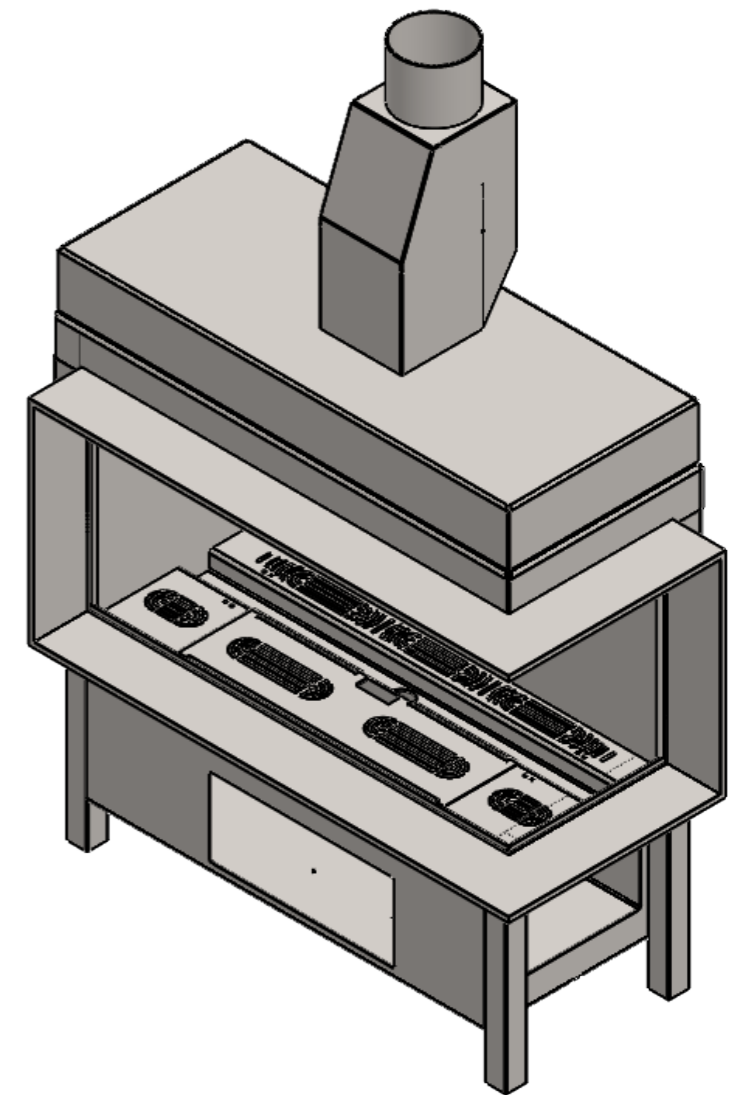
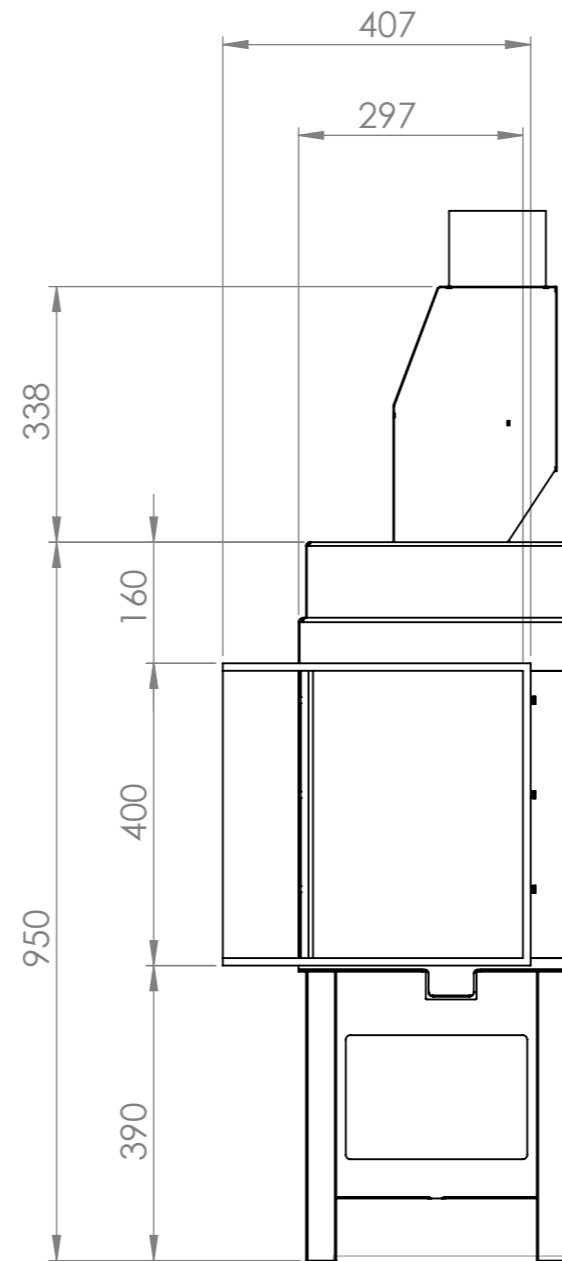
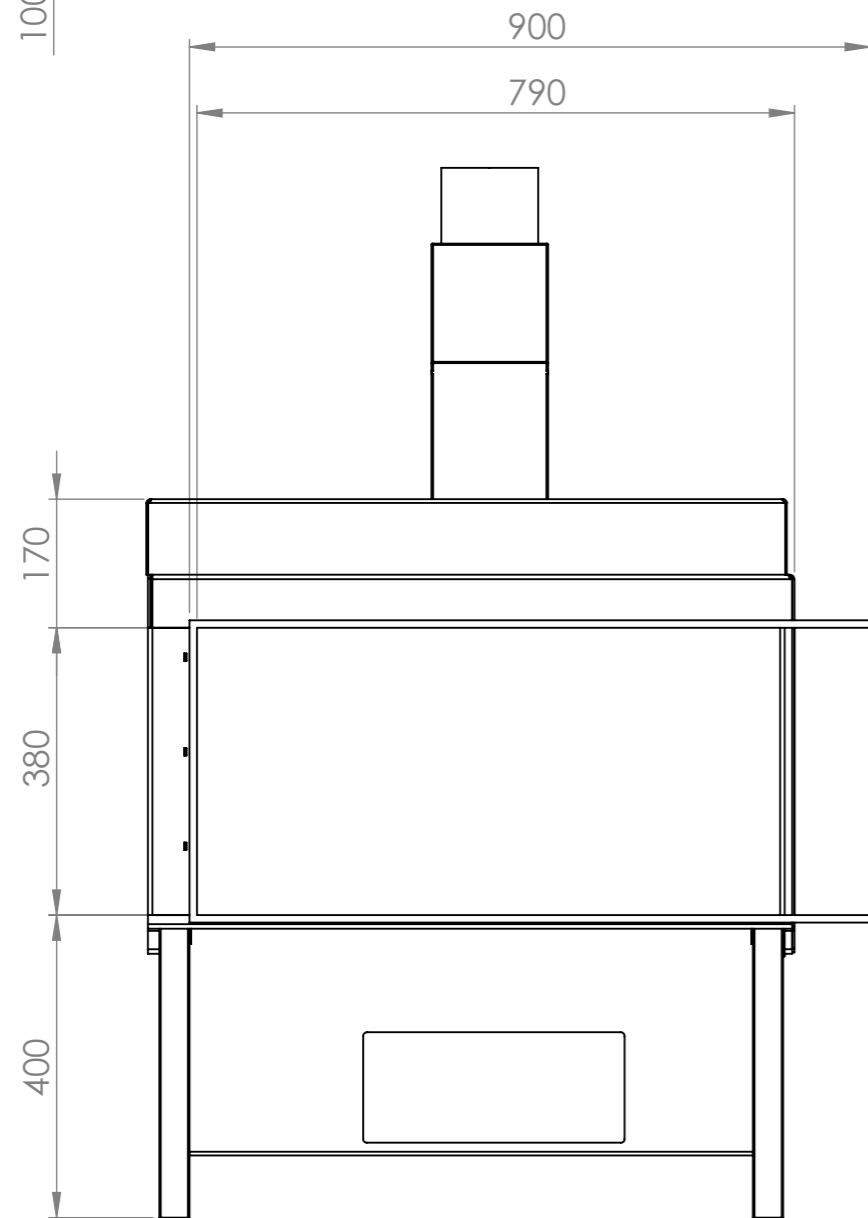
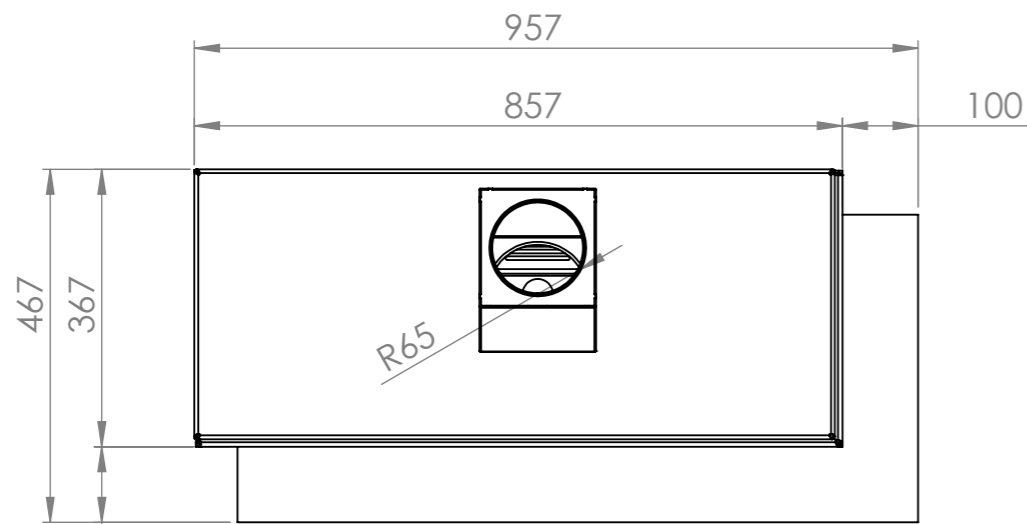
CLIENT				PROJECT Gala 1 Corner B11 130 - Slim frame 100/10 Line burner		ALL RIGHTS RESERVED AND COPYRIGHTS BY	
				PART NUMBER		 Vero Design Zagerijstraat 23 B-2960 Sint-Job	
DRAWN	Davy D'Hollander	DATE	10/10/2018	MATERIAL:		UNLESS OTHERWISE SPECIFIED: DIMENSIONS ARE IN MILLIMETERS TOLERANCES: ISO 2768 m K	DEBURR AND BREAK SHARP EDGES
CHK'D				WEIGHT:			
APPV'D				FINISH:			
							A3 SCALE: 1:10
						DO NOT SCALE DRAWING	SHEET 1 OF 1



DRAWN			PROJECT Gala 1 Corner Right B11 130 - Slim frame 100/10 Line burner			ALL RIGHTS RESERVED AND COPYRIGHTS BY VERO DESIGN Vero Design Zagerijstraat 23 B-2960 Sint-Job		
CHK'D			PART NUMBER GA1HL-B11-SLF050			UNLESS OTHERWISE SPECIFIED: DIMENSIONS ARE IN MILLIMETERS TOLERANCES: ISO 2768 m K		
APPV'D			MATERIAL:			DEBURR AND BREAK SHARP EDGES		
			WEIGHT:					
			FINISH:			A3 SCALE:1:10 SHEET 1 OF 1		
						DO NOT SCALE DRAWING		



CLIENT				PROJECT Gala 2 Corner Left B11 130 - Slime frame 100/10 Line burner		ALL RIGHTS RESERVED AND COPYRIGHTS BY VERO Vero Design Zagerijstraat 23 DESIGN B-2960 Sint-Job	
DRAWN	NAME	DATE	SIGN	PART NUMBER GA2H-B11-SLF		UNLESS OTHERWISE SPECIFIED: DIMENSIONS ARE IN MILLIMETERS TOLERANCES: ISO 2768 m K	DEBURR AND BREAK SHARP EDGES
CHK'D				MATERIAL:			
APPV'D				WEIGHT:			
				FINISH:			
						DO NOT SCALE DRAWING	A3 SCALE:1:10 SHEET 1 OF 1



CLIENT

PROJECT Gala 2 Corner Right
B11 130 - Slim frame 100/10
Line burner

ALL RIGHTS RESERVED AND COPYRIGHTS BY

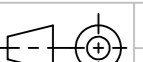
VERO Vero Design
Zagerijstraat 23
DESIGN B-2960 Sint-Job

	NAME	DATE	SIGN
DRAWN		8/10/2019	
CHK'D			
APPV'D			

PART NUMBER	GA2H-B11-SLF
MATERIAL:	
WEIGHT:	
FINISH:	

UNLESS OTHERWISE SPECIFIED:
DIMENSIONS ARE IN MILLIMETERS
TOLERANCES: ISO 2768 m K

DEBURR AND
BREAK SHARP
EDGES

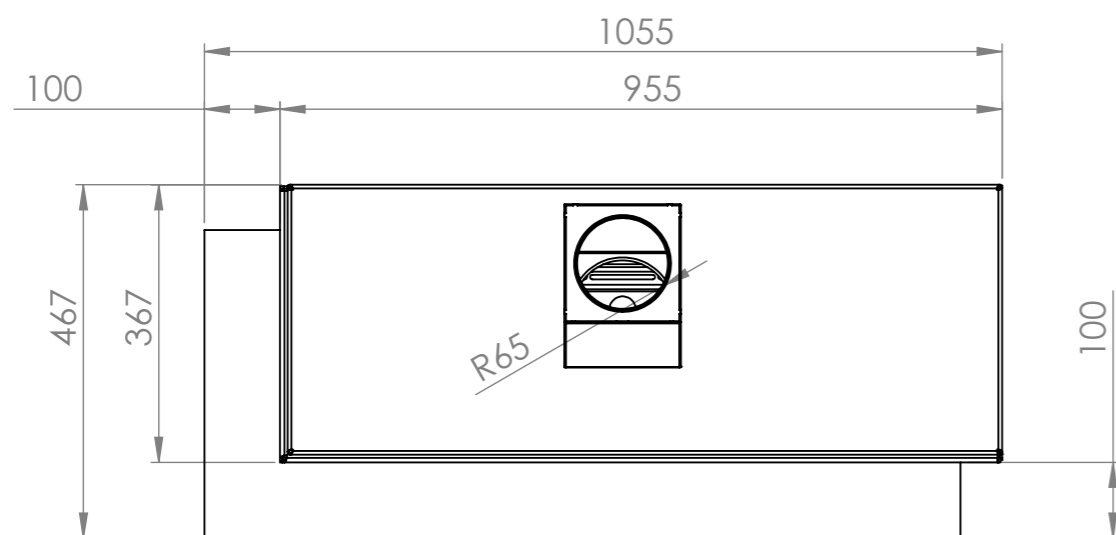
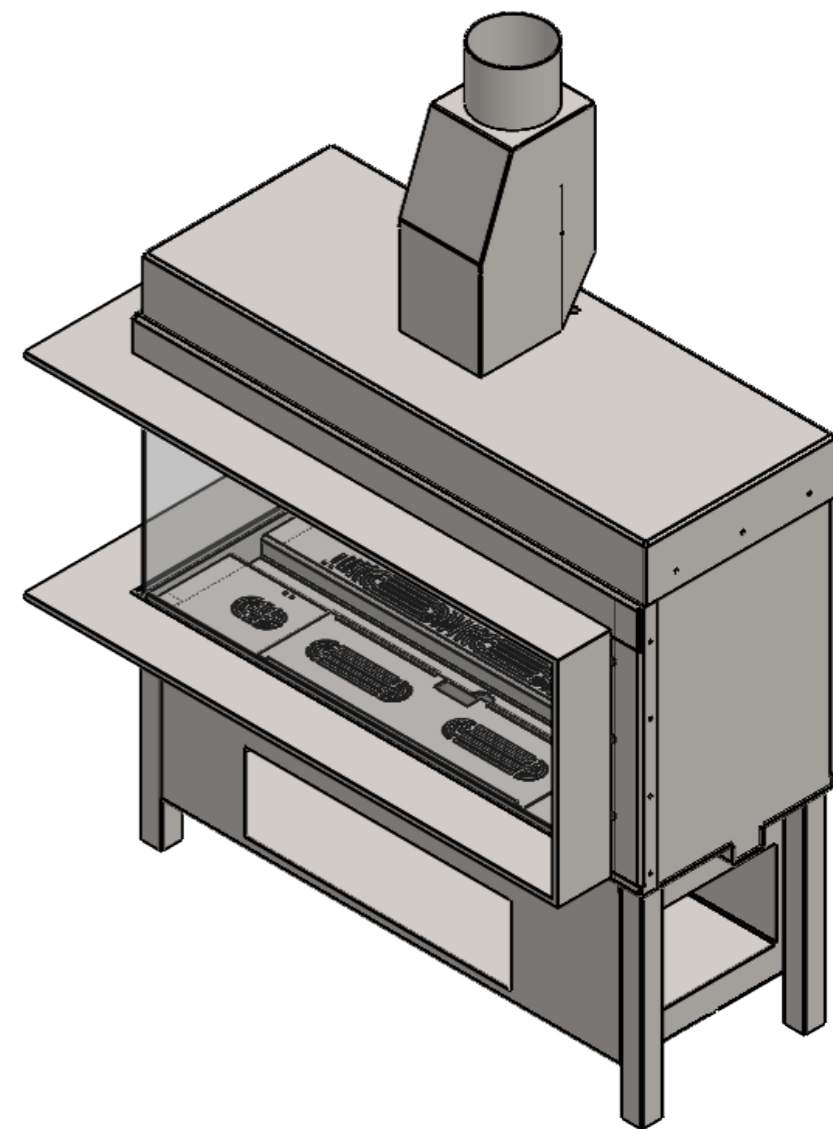
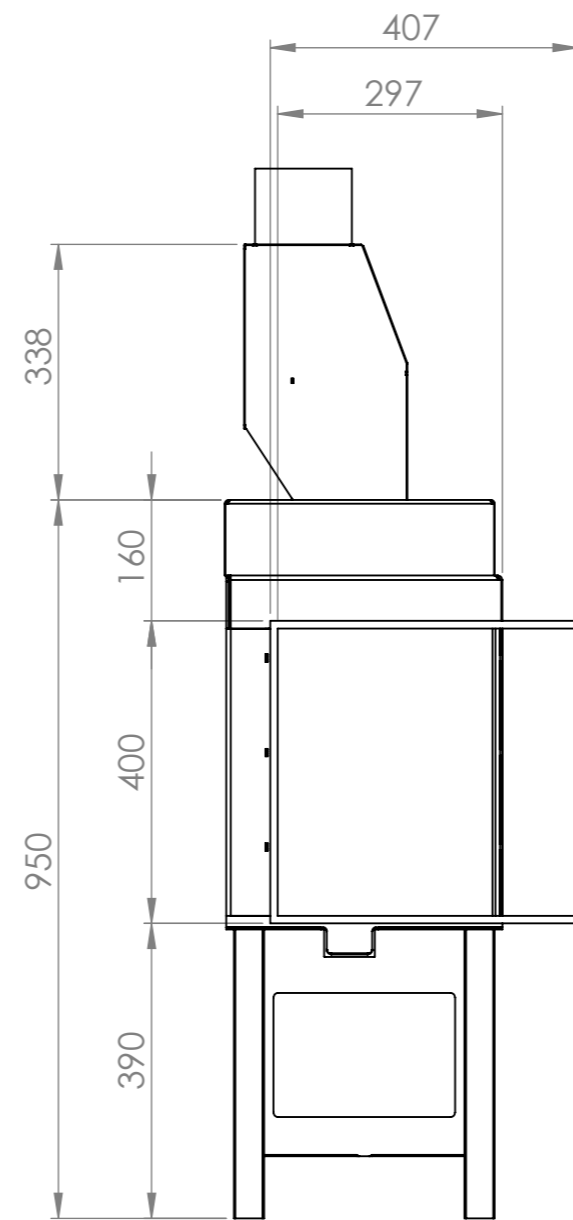
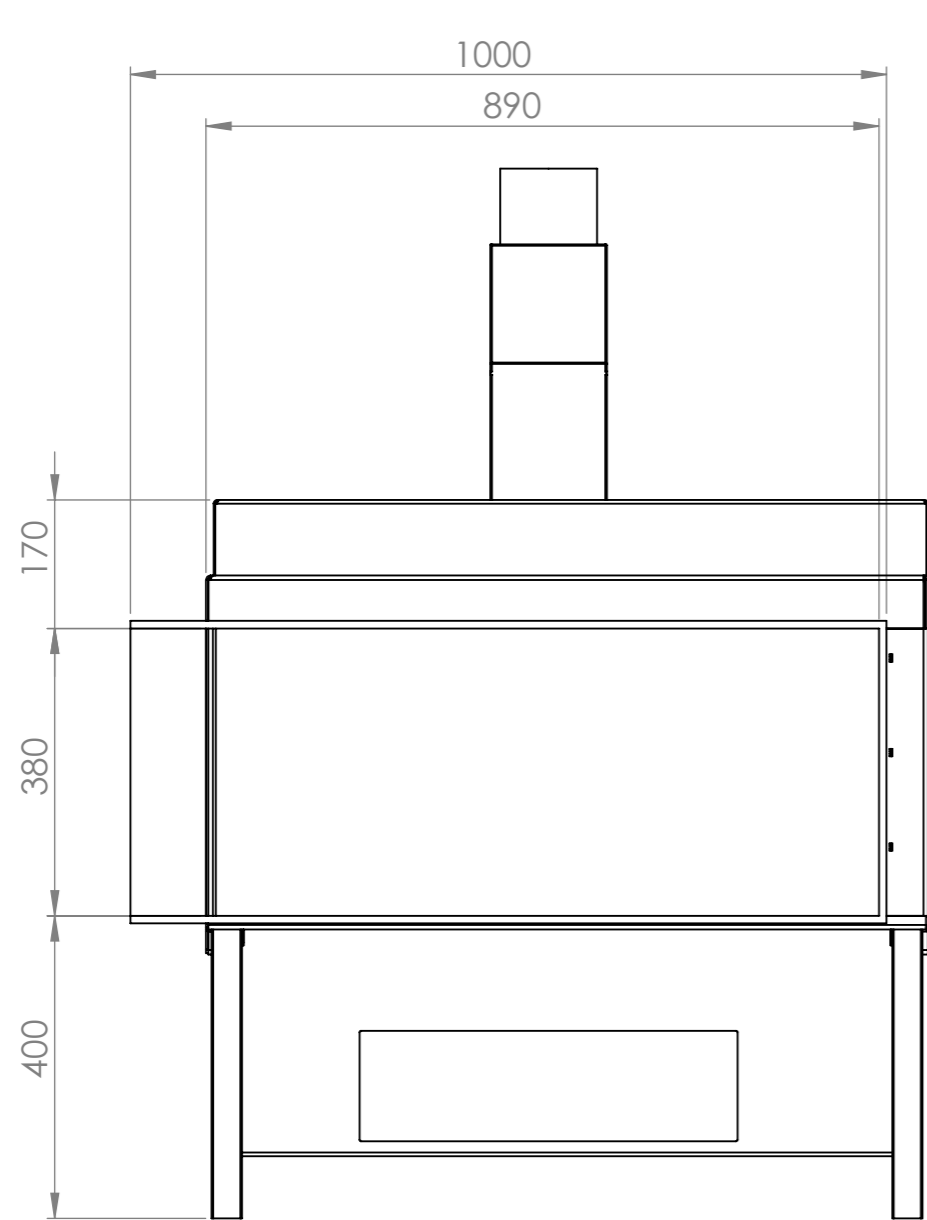


A3

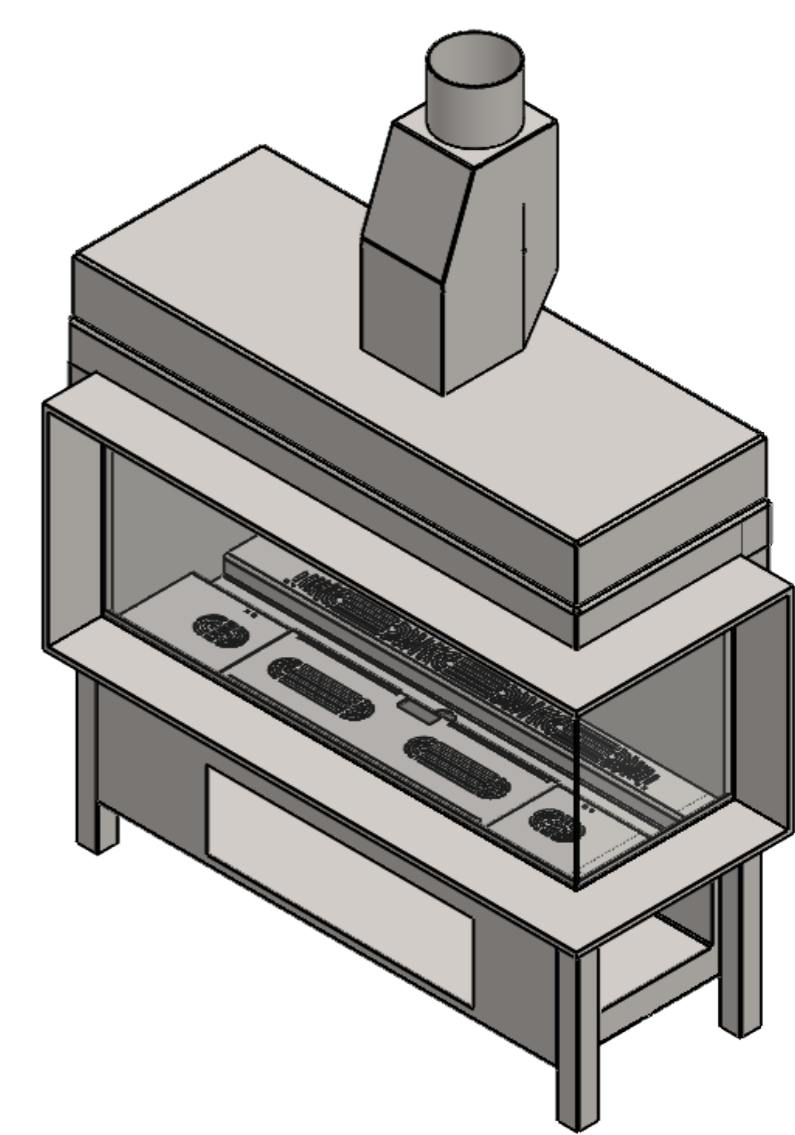
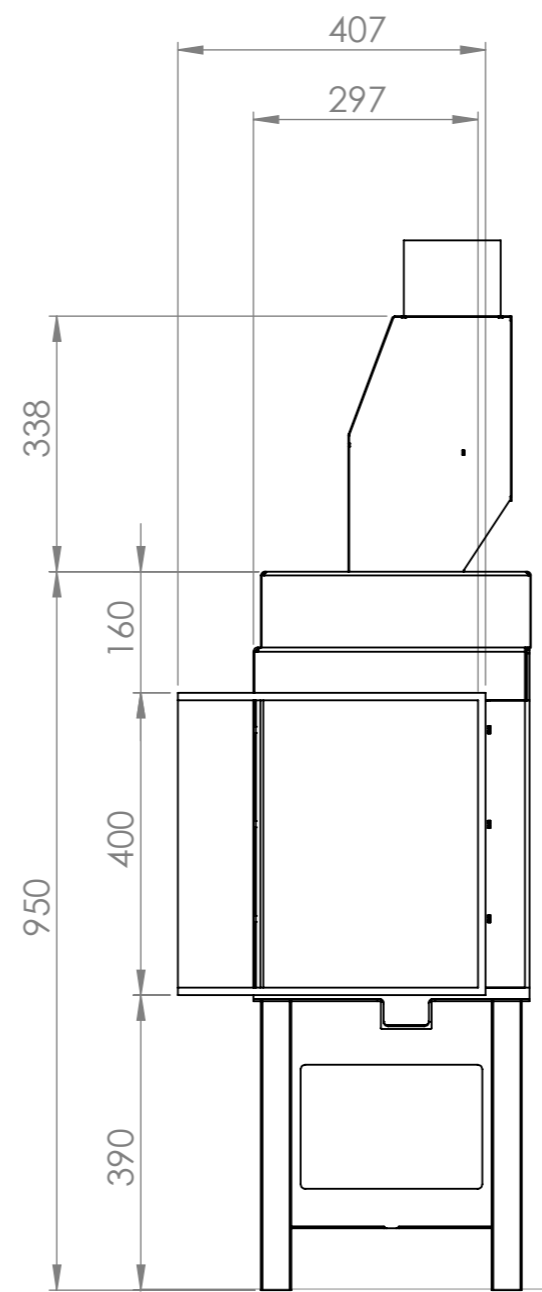
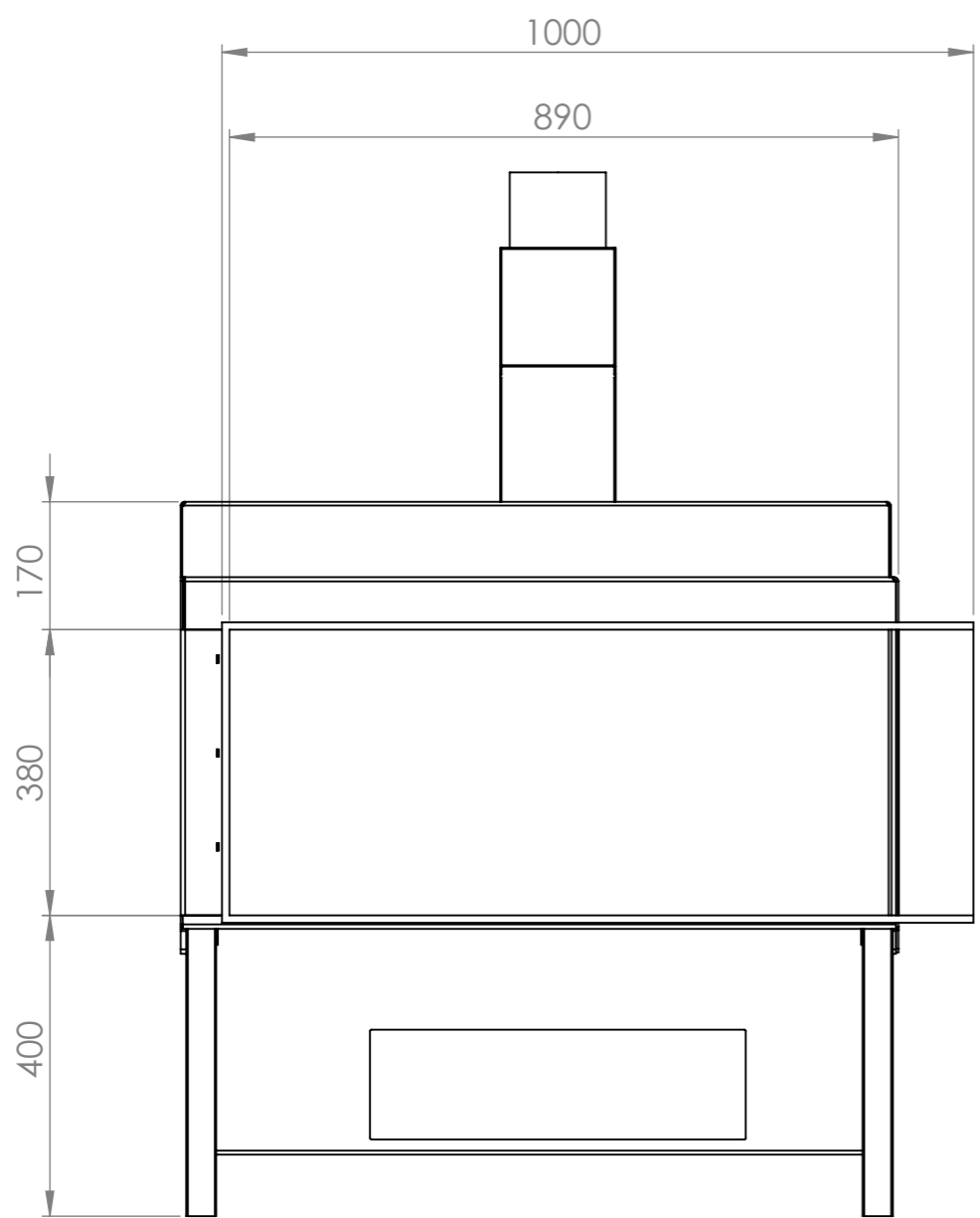
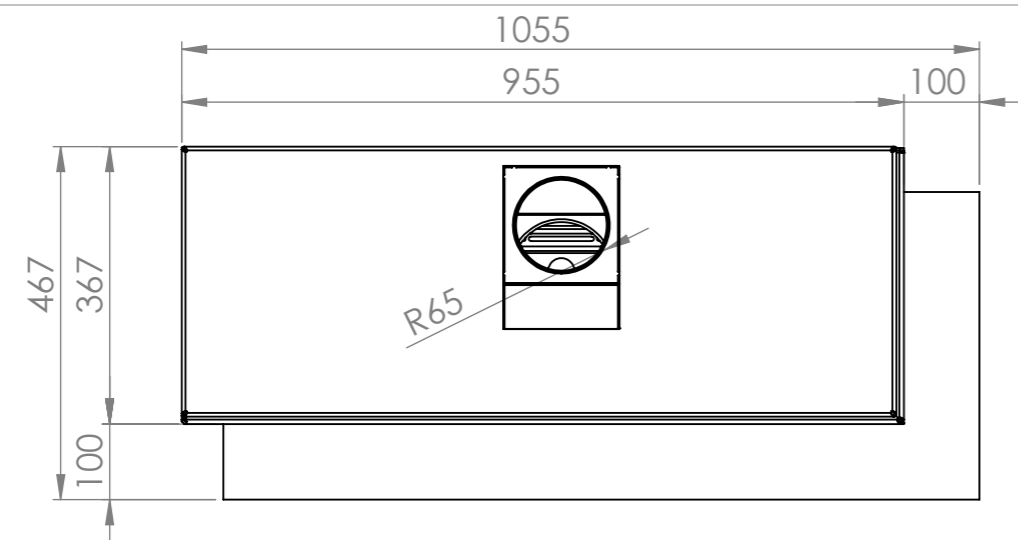
SCALE:1:10



DO NOT SCALE DRAWING

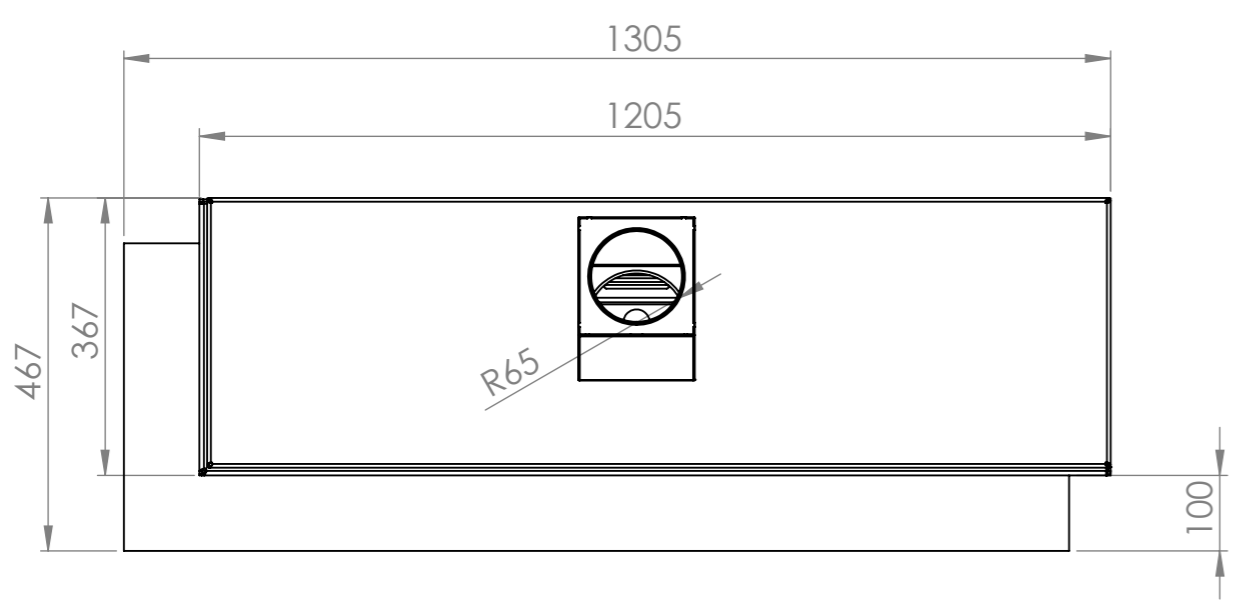
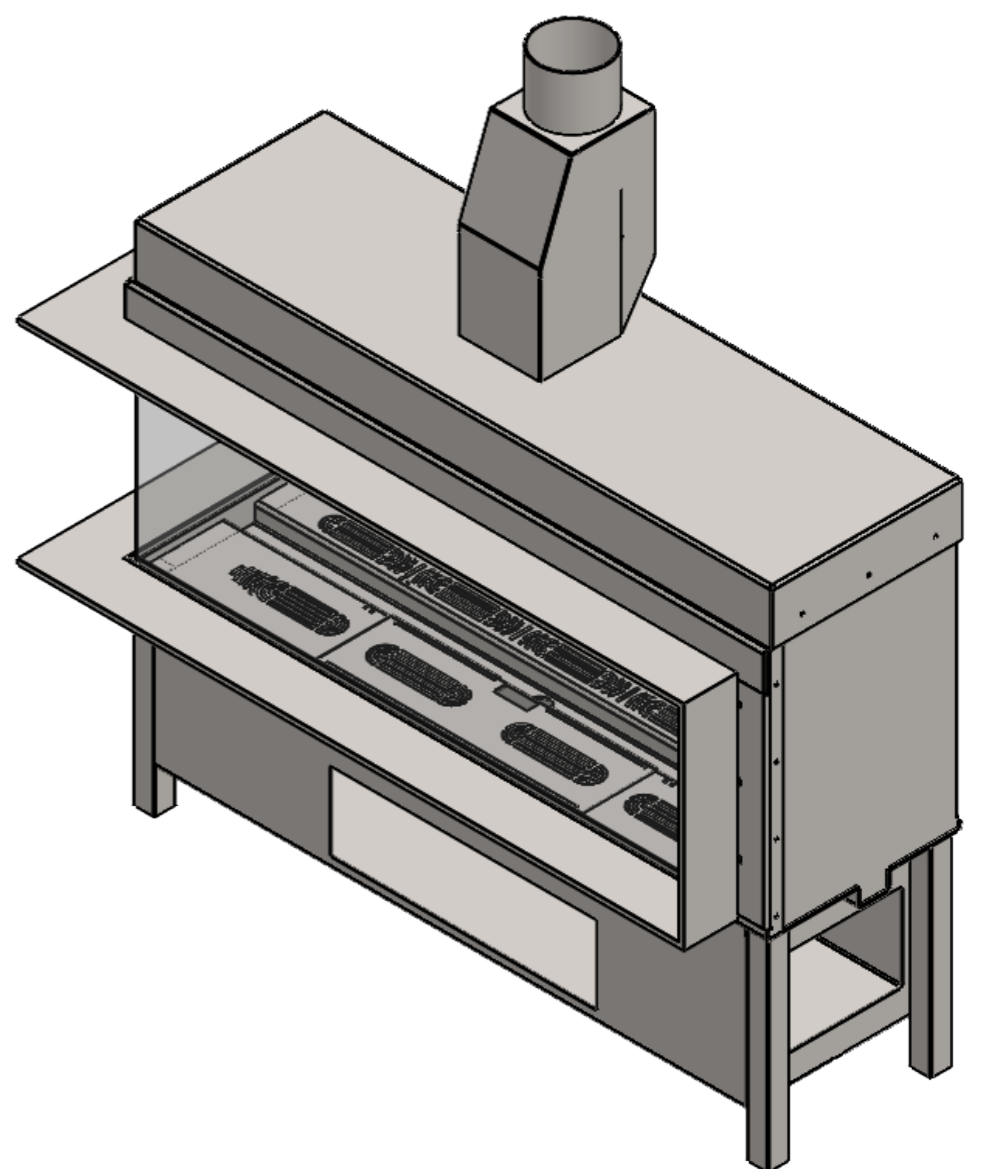
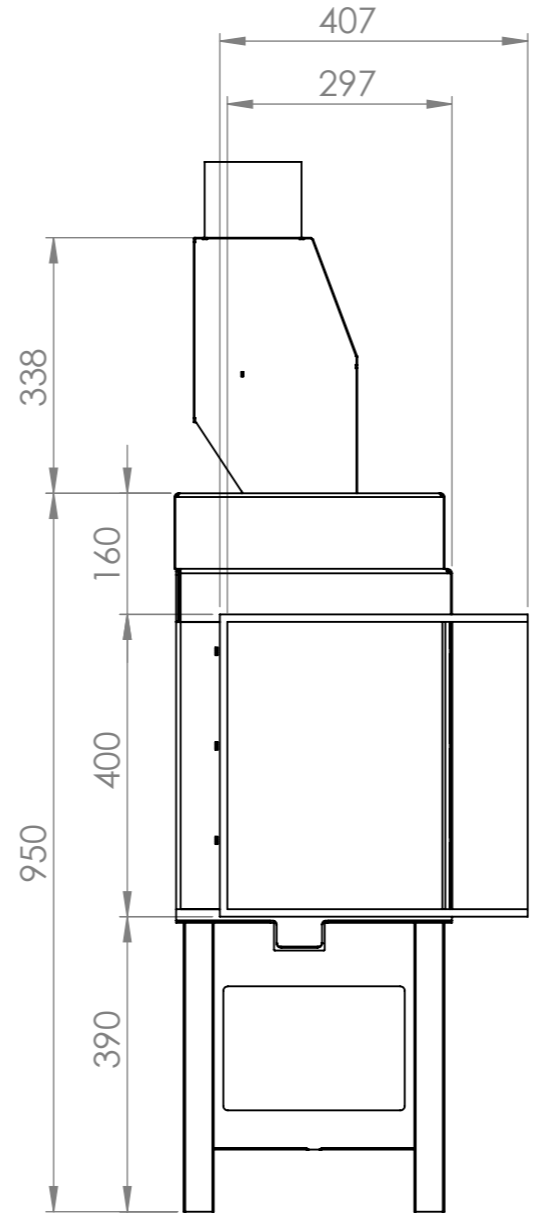
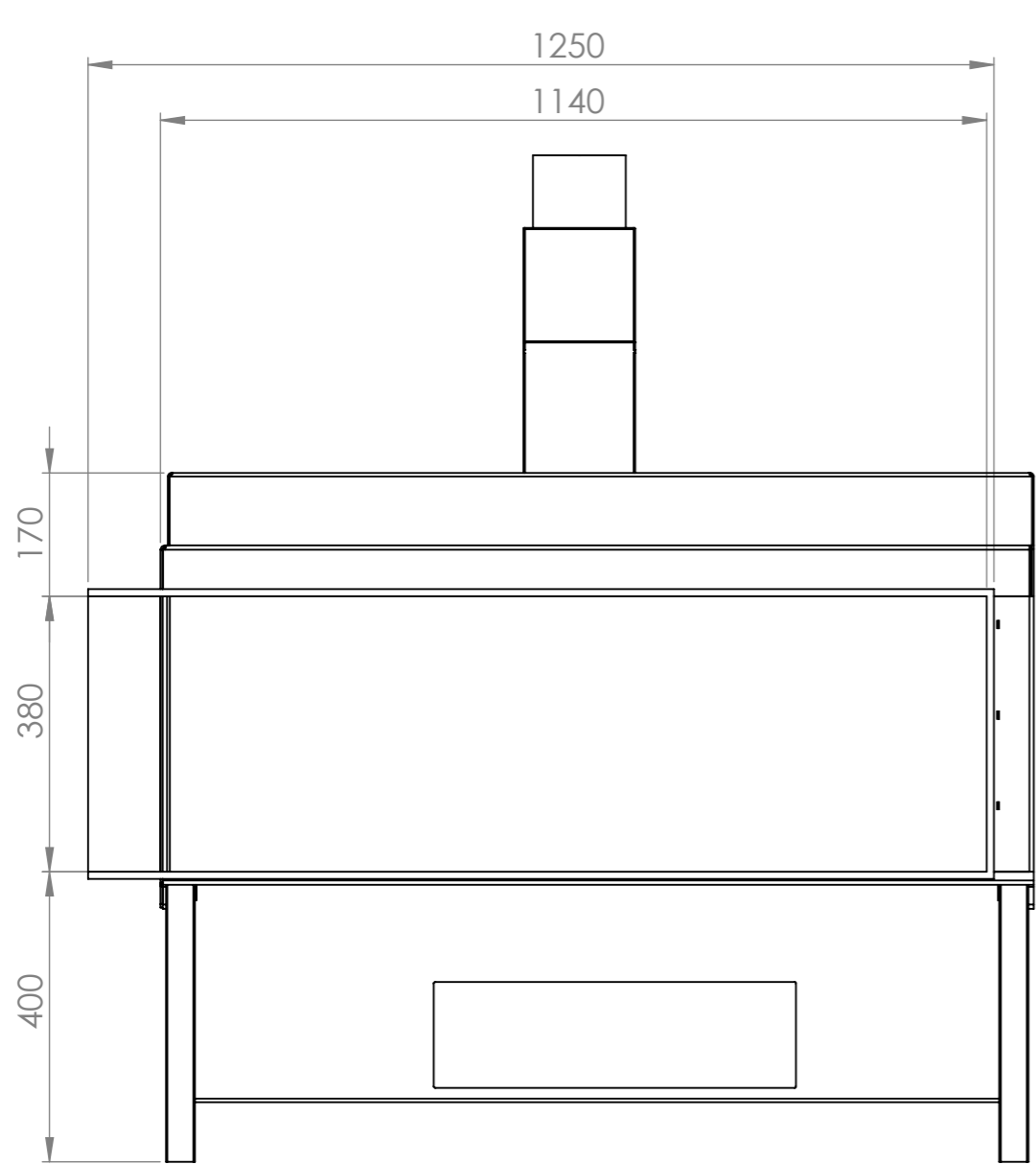
SHEET 1 OF 1


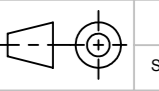


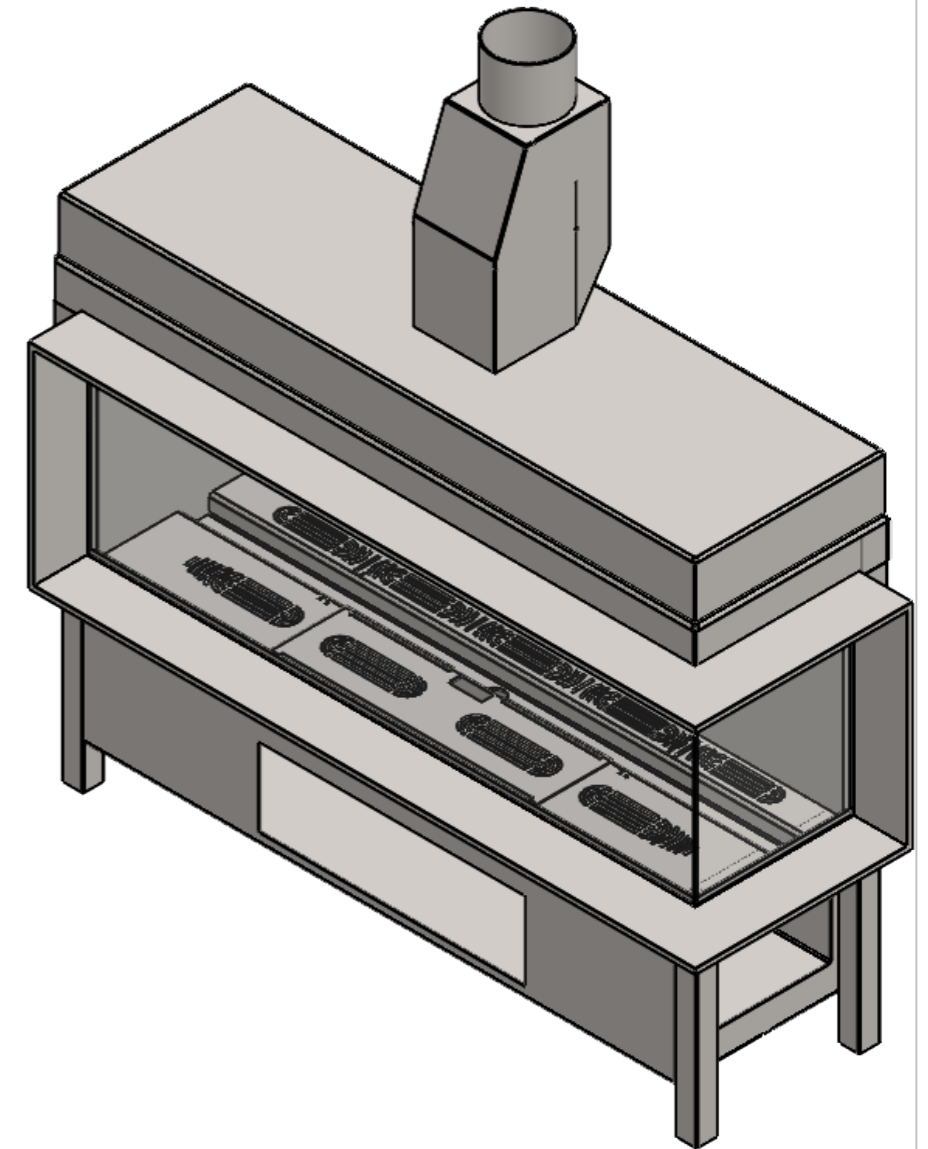
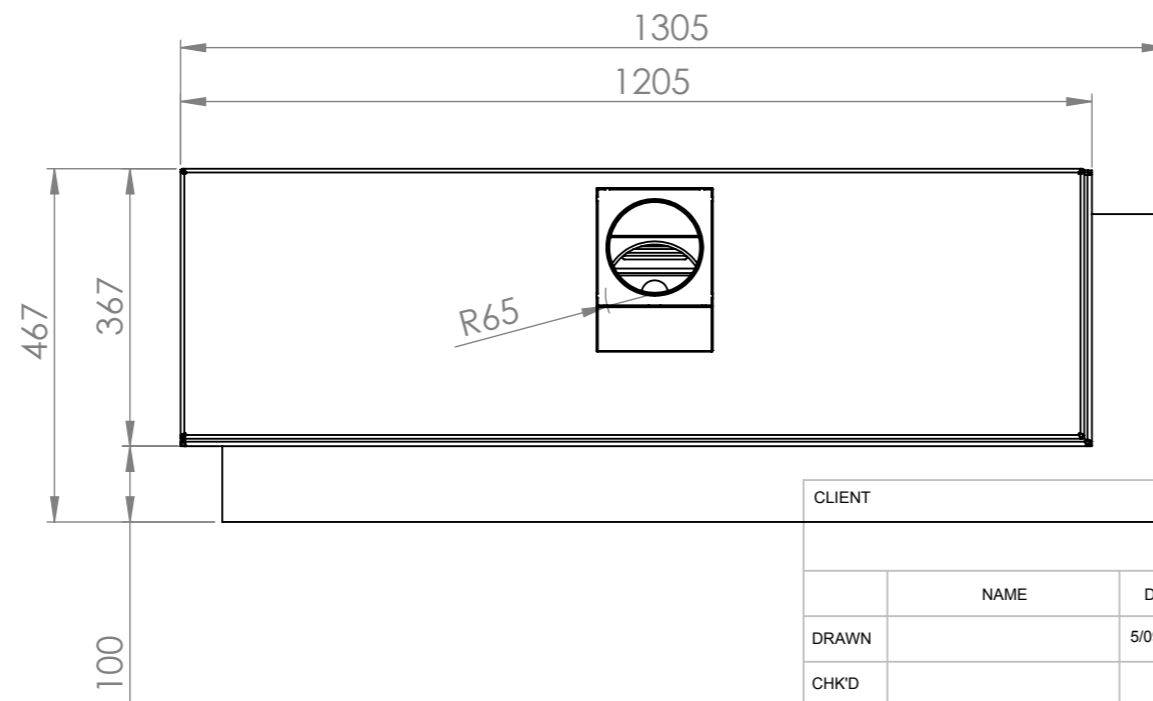
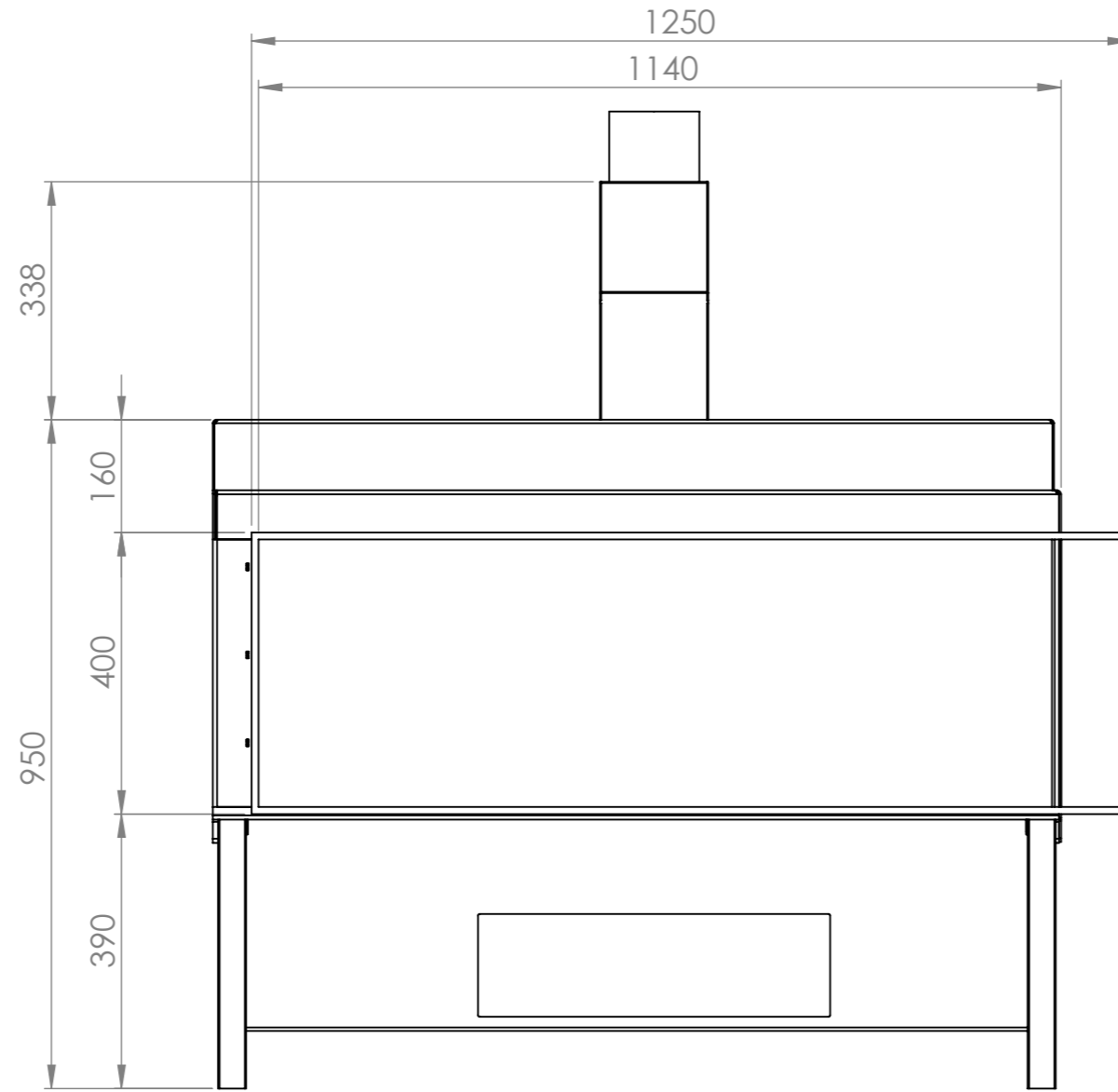
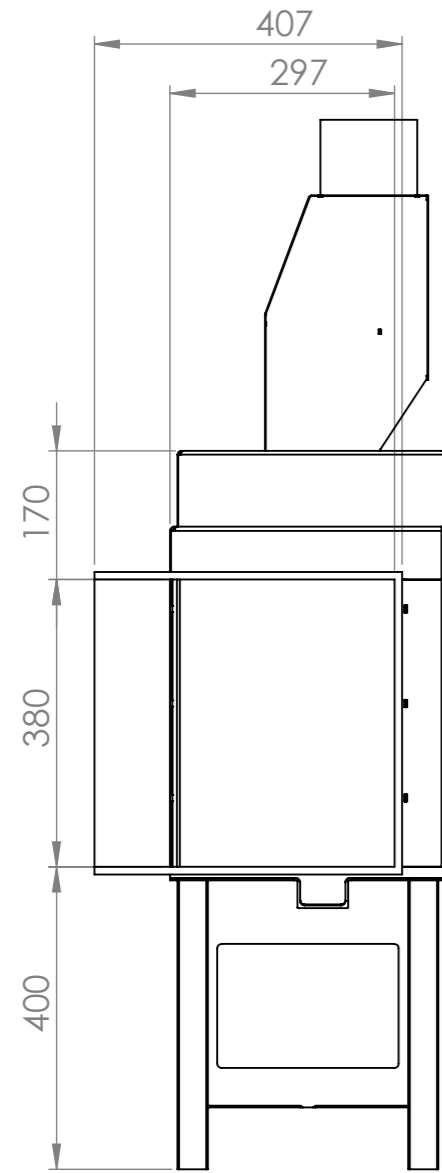
CLIENT				PROJECT Gala 3 Corner Left B11 130 - Slim frame 100/10 Line burner		ALL RIGHTS RESERVED AND COPYRIGHTS BY VERO Vero Design Zagerijstraat 23 DESIGN B-2960 Sint-Job	
DRAWN	NAME	DATE 8/10/2019	SIGN	PART NUMBER GA3HL-B11-SLF		UNLESS OTHERWISE SPECIFIED: DIMENSIONS ARE IN MILLIMETERS TOLERANCES: ISO 2768 m K	DEBURR AND BREAK SHARP EDGES
CHK'D				MATERIAL:			
APPV'D				WEIGHT:			
				FINISH:		DO NOT SCALE DRAWING	A3 SCALE: 1:10 SHEET 1 OF 1



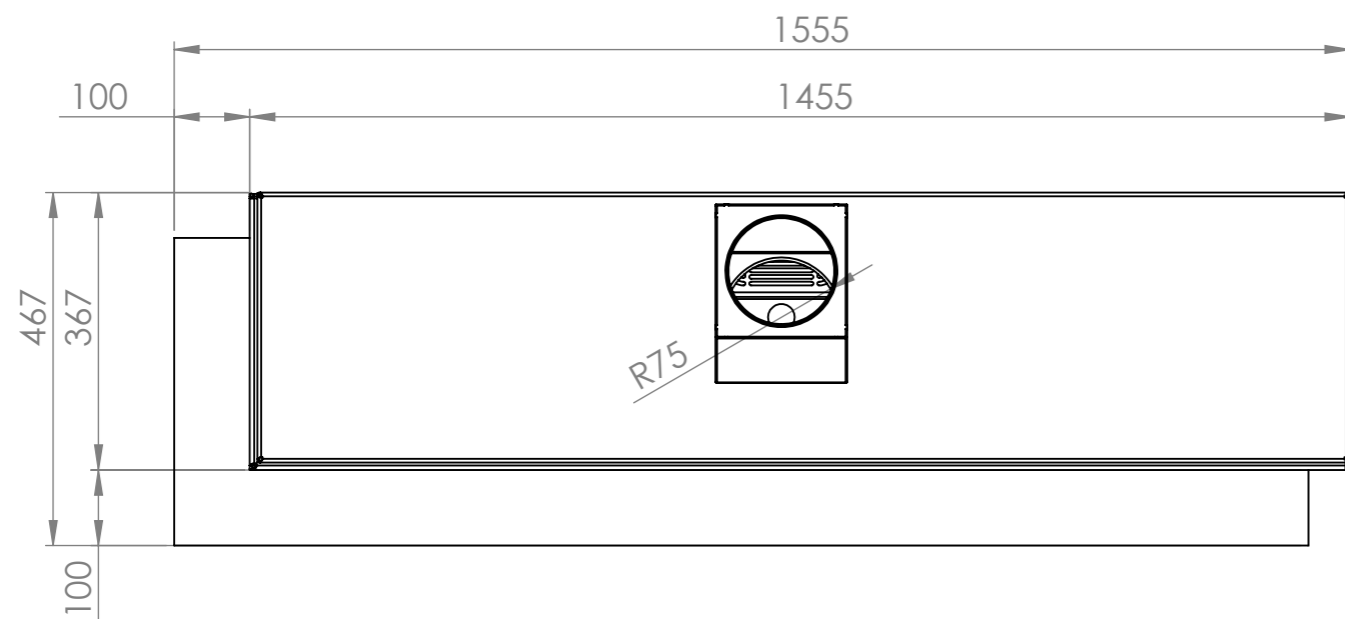
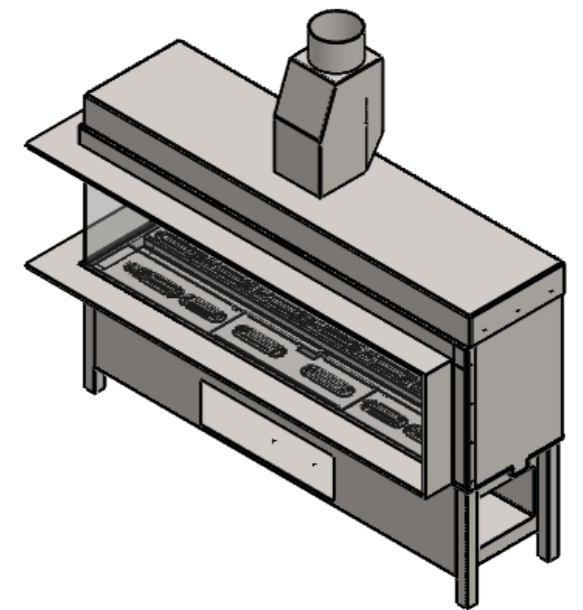
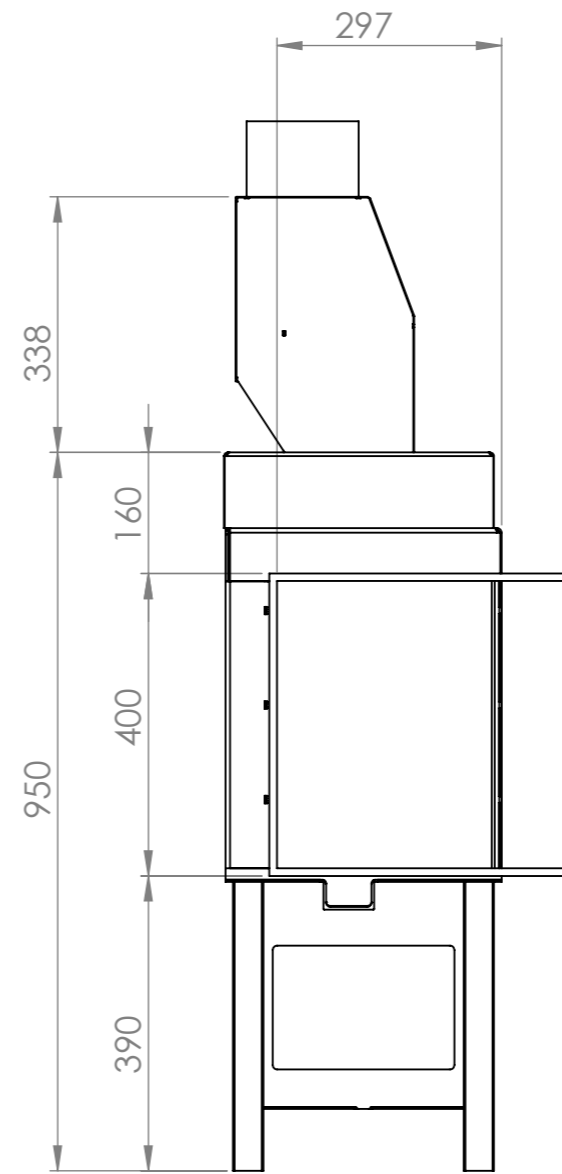
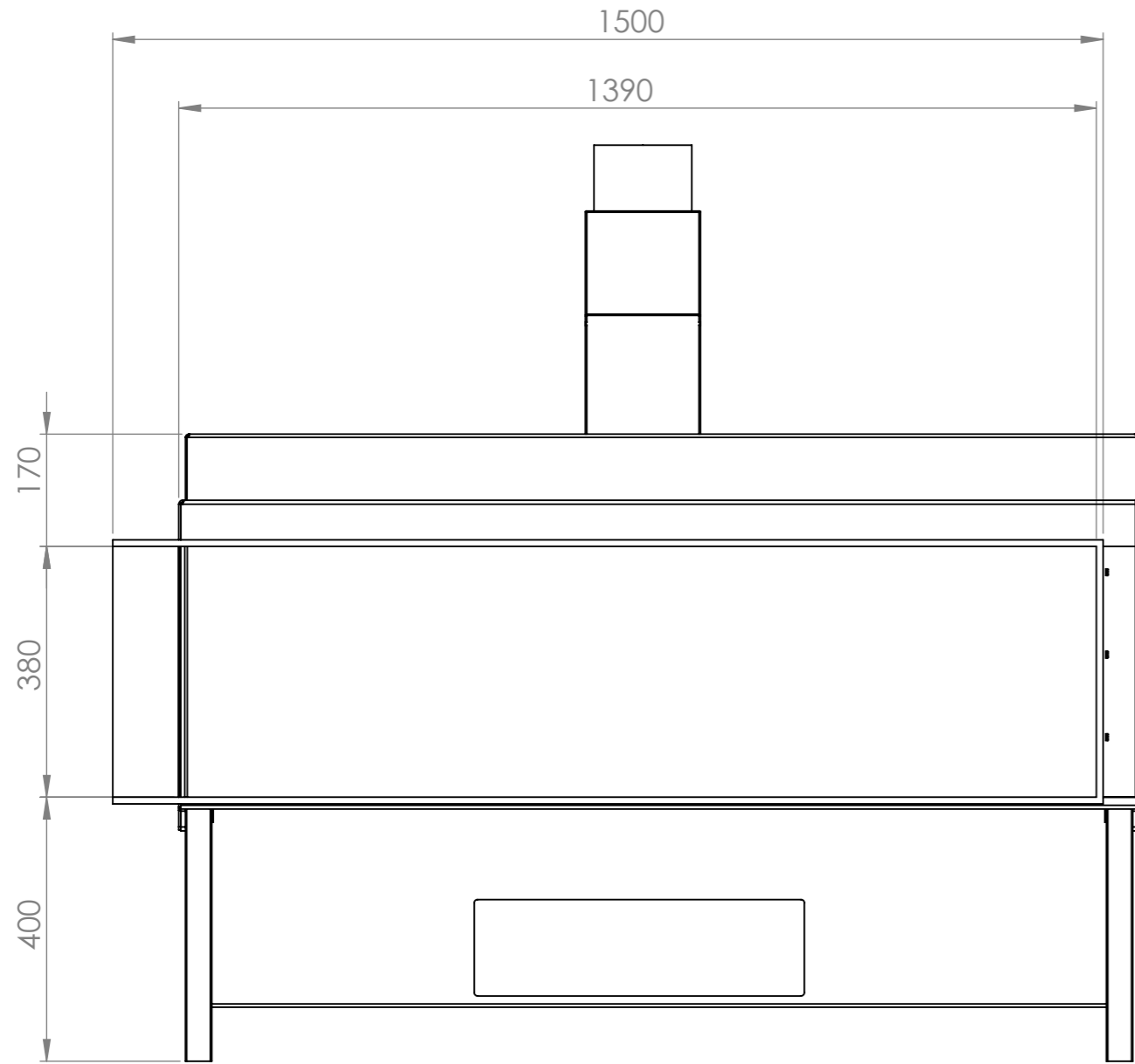
CLIENT				PROJECT Gala 3 Corner Right B11 130 - Slim frame 100/10 Line burner		ALL RIGHTS RESERVED AND COPYRIGHTS BY	
				PART NUMBER GA3HL-B11-SLF		 Vero Design Zagerijstraat 23 B-2960 Sint-Job	
DRAWN	NAME	DATE	SIGN	MATERIAL:	UNLESS OTHERWISE SPECIFIED: DIMENSIONS ARE IN MILLIMETERS TOLERANCES: ISO 2768 m K	DEBURR AND BREAK SHARP EDGES	 A3 SCALE:1:10
CHK'D			WEIGHT:				
APPV'D			FINISH:				
						DO NOT SCALE DRAWING	SHEET 1 OF 1


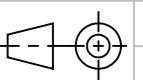


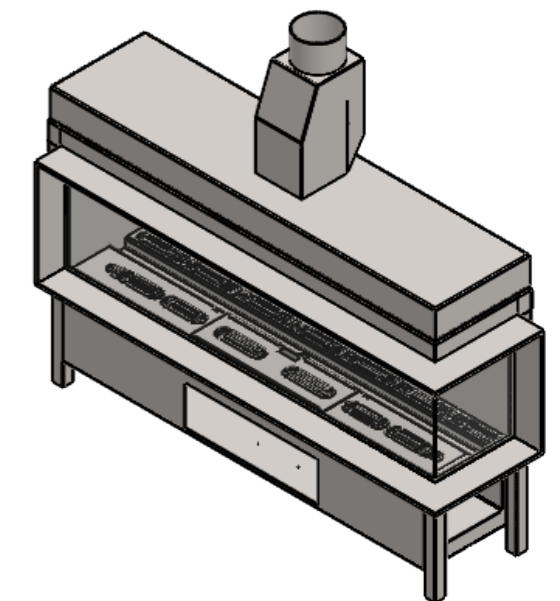
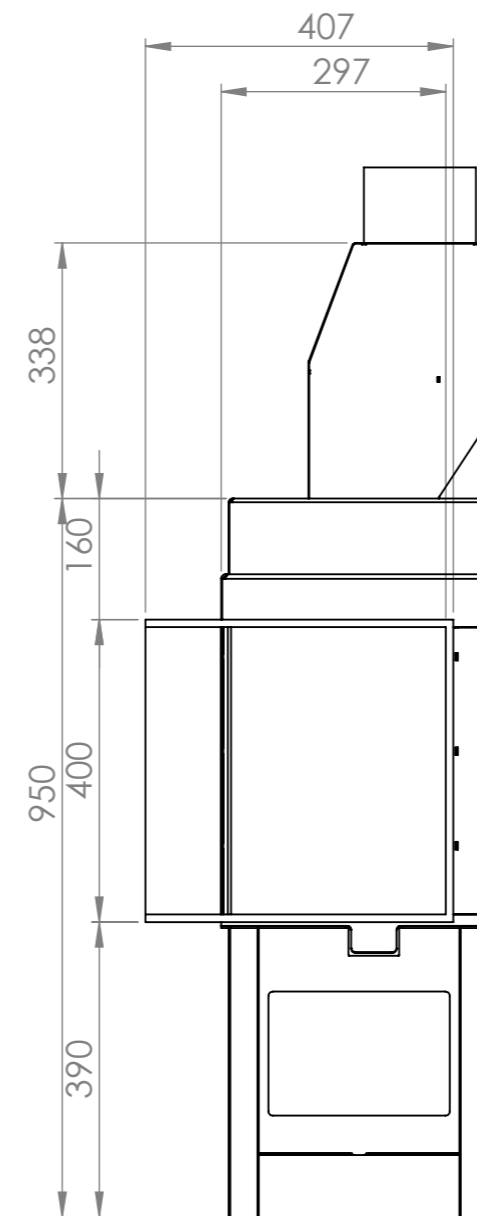
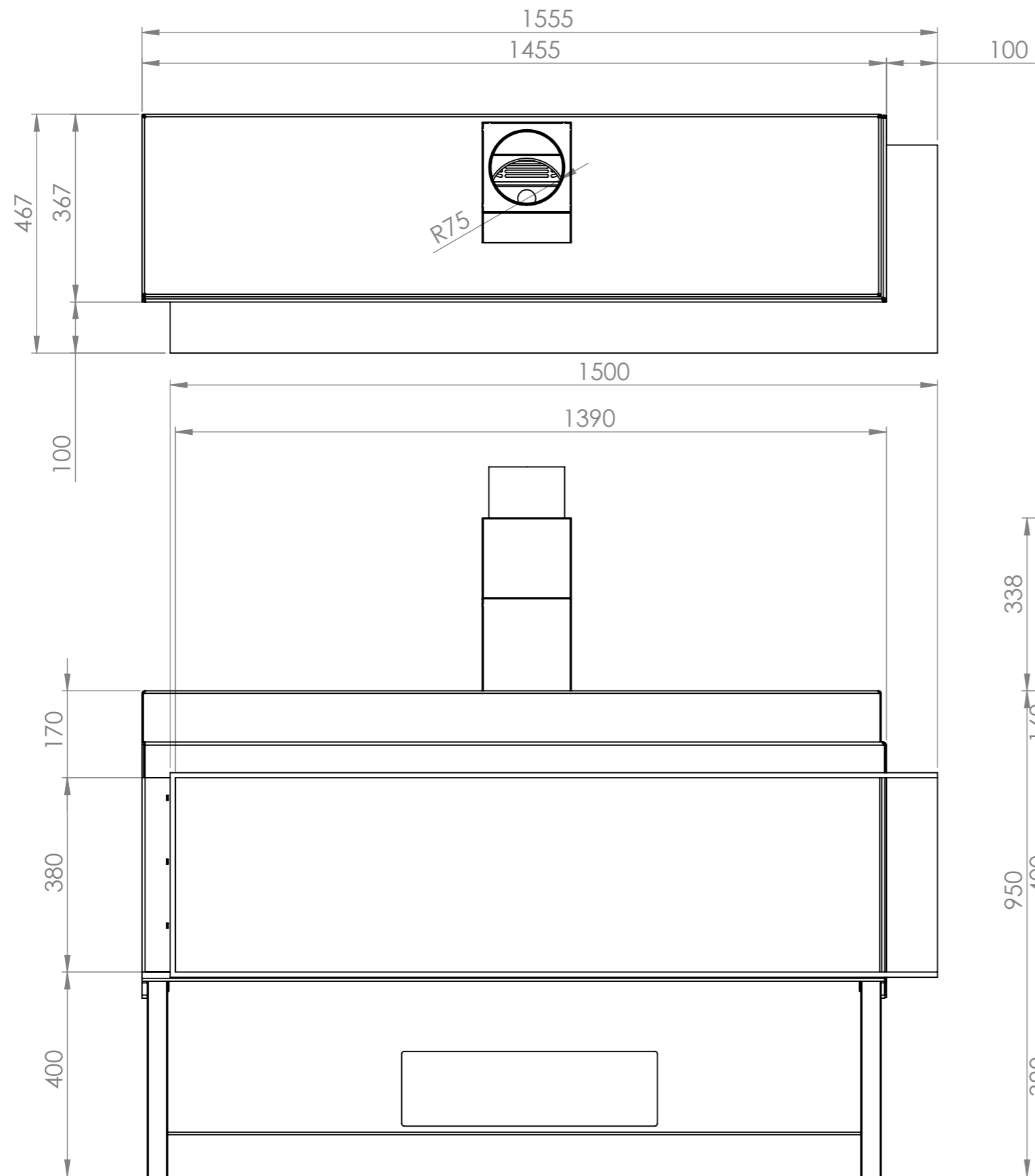
CLIENT				Gala 4 Corner Left B11 130 - Slim frame 100/10 Line burner		ALL RIGHTS RESERVED AND COPYRIGHTS BY	
				PART NUMBER GA4HL-B11-SLF		 Vero Design Zagerijstraat 23 B-2960 Sint-Job	
DRAWN	NAME	DATE	SIGN	MATERIAL:		UNLESS OTHERWISE SPECIFIED: DIMENSIONS ARE IN MILLIMETERS TOLERANCES: ISO 2768 m K	DEBURR AND BREAK SHARP EDGES
CHK'D			WEIGHT:				
APPV'D			FINISH:				
						DO NOT SCALE DRAWING	SHEET 1 OF 1


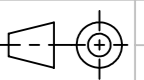


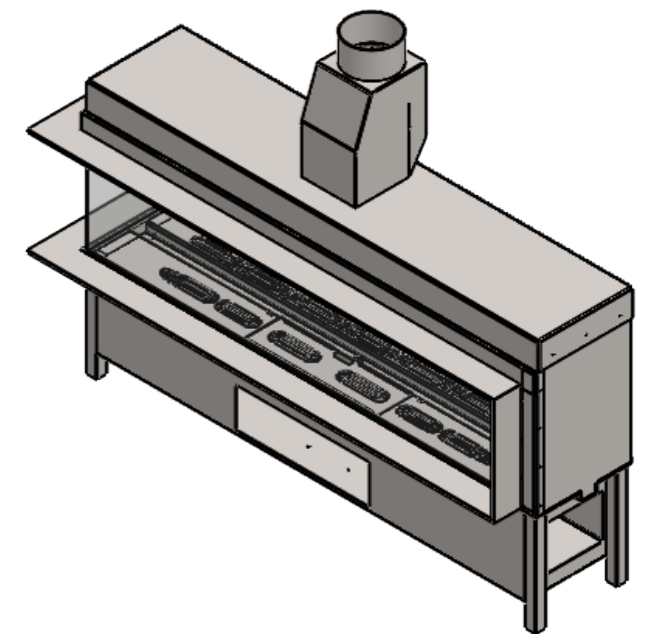
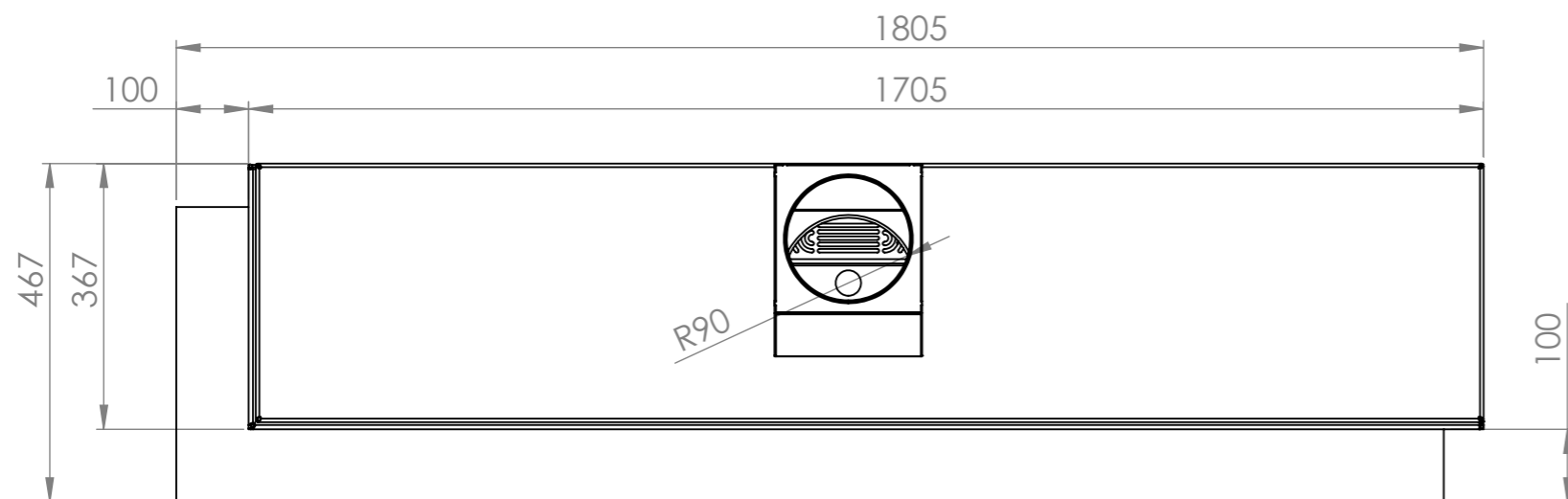
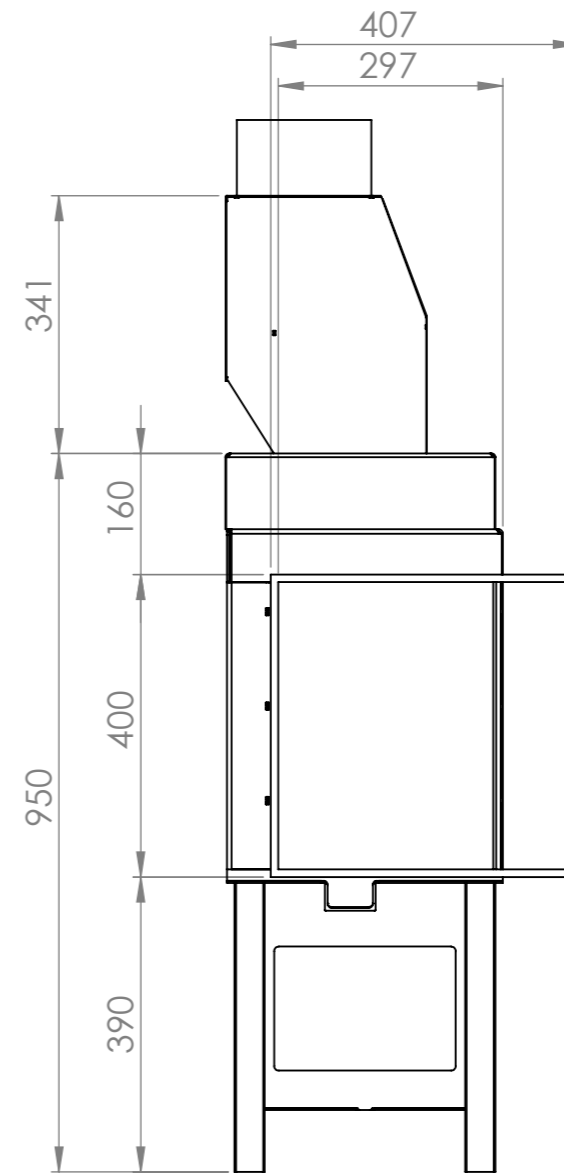
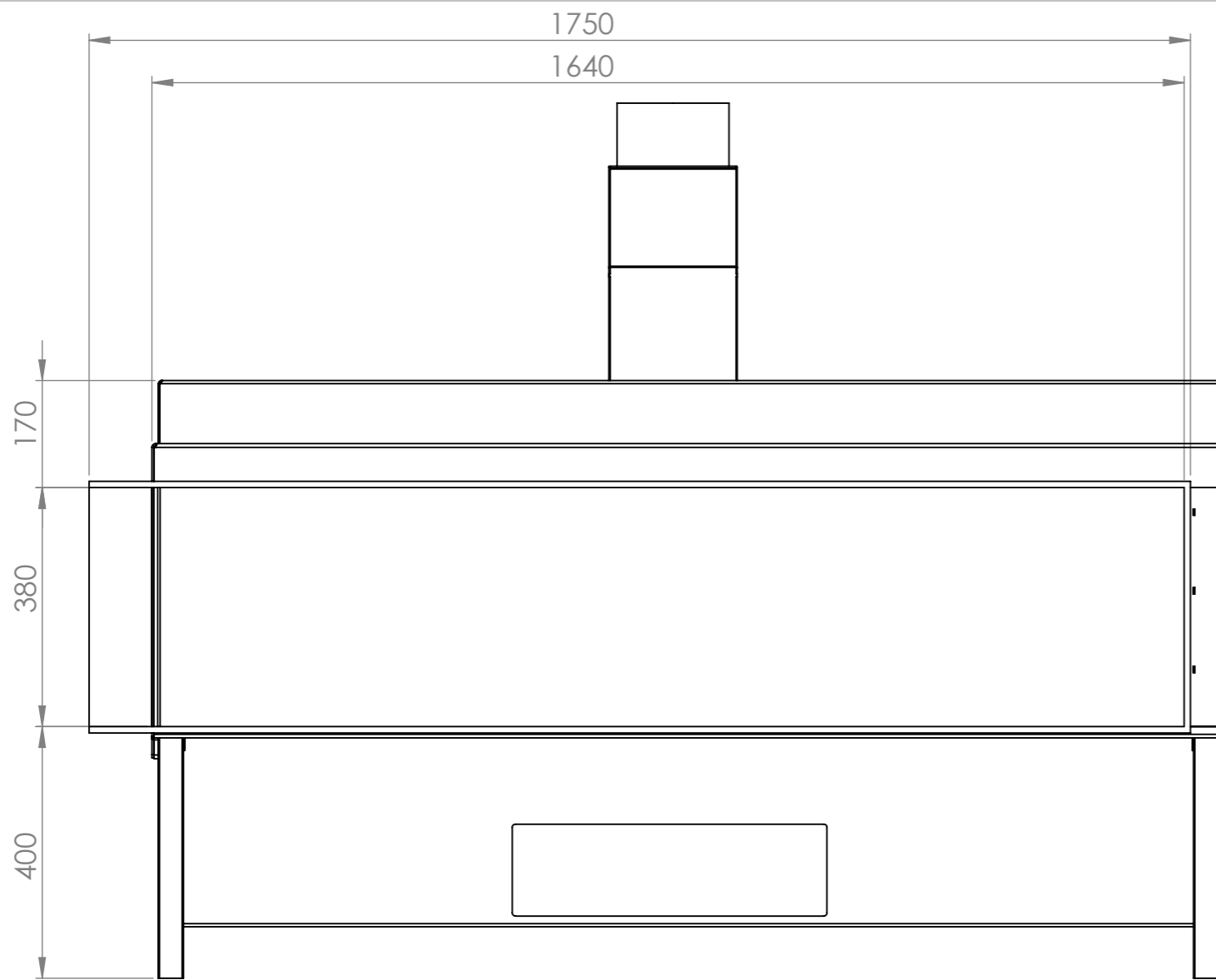
CLIENT				Gala 4 Corner Right B11 130 - Slim frame 100/10 Line burner		ALL RIGHTS RESERVED AND COPYRIGHTS BY VERO DESIGN Vero Design Zagerijstraat 23 B-2960 Sint-Job		
DRAWN	NAME	DATE	SIGN	PART NUMBER GA4HL-B11-SLF		UNLESS OTHERWISE SPECIFIED: DIMENSIONS ARE IN MILLIMETERS TOLERANCES: ISO 2768 m K	DEBURR AND BREAK SHARP EDGES	
CHK'D		5/09/2019		MATERIAL:				
APPV'D				WEIGHT:				
				FINISH:		DO NOT SCALE DRAWING	A3 SCALE:1:10 SHEET 1 OF 1	


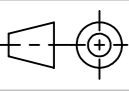


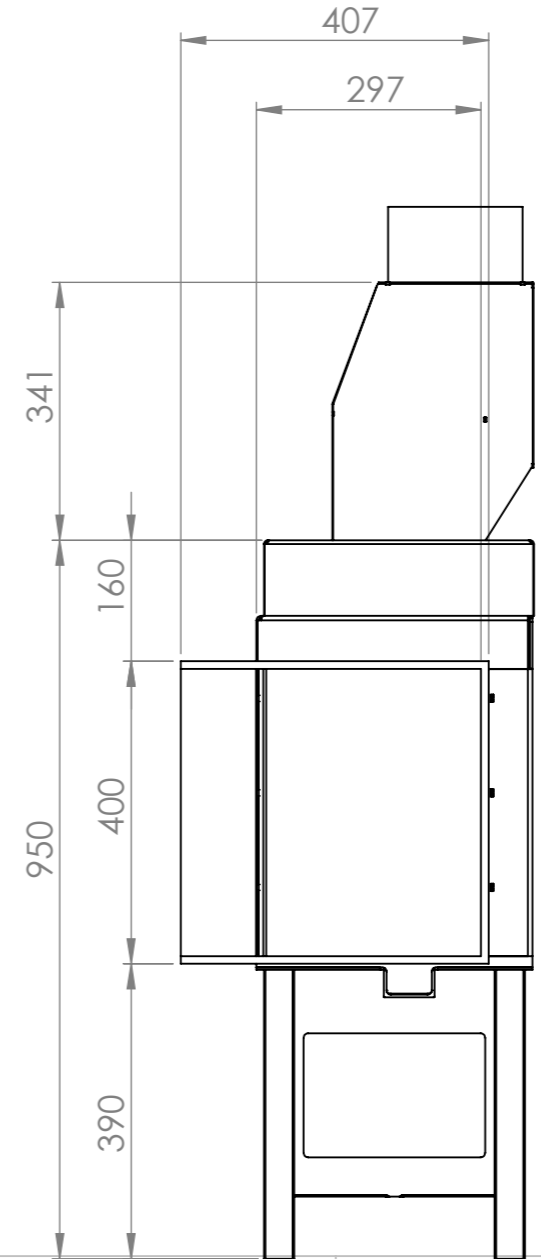
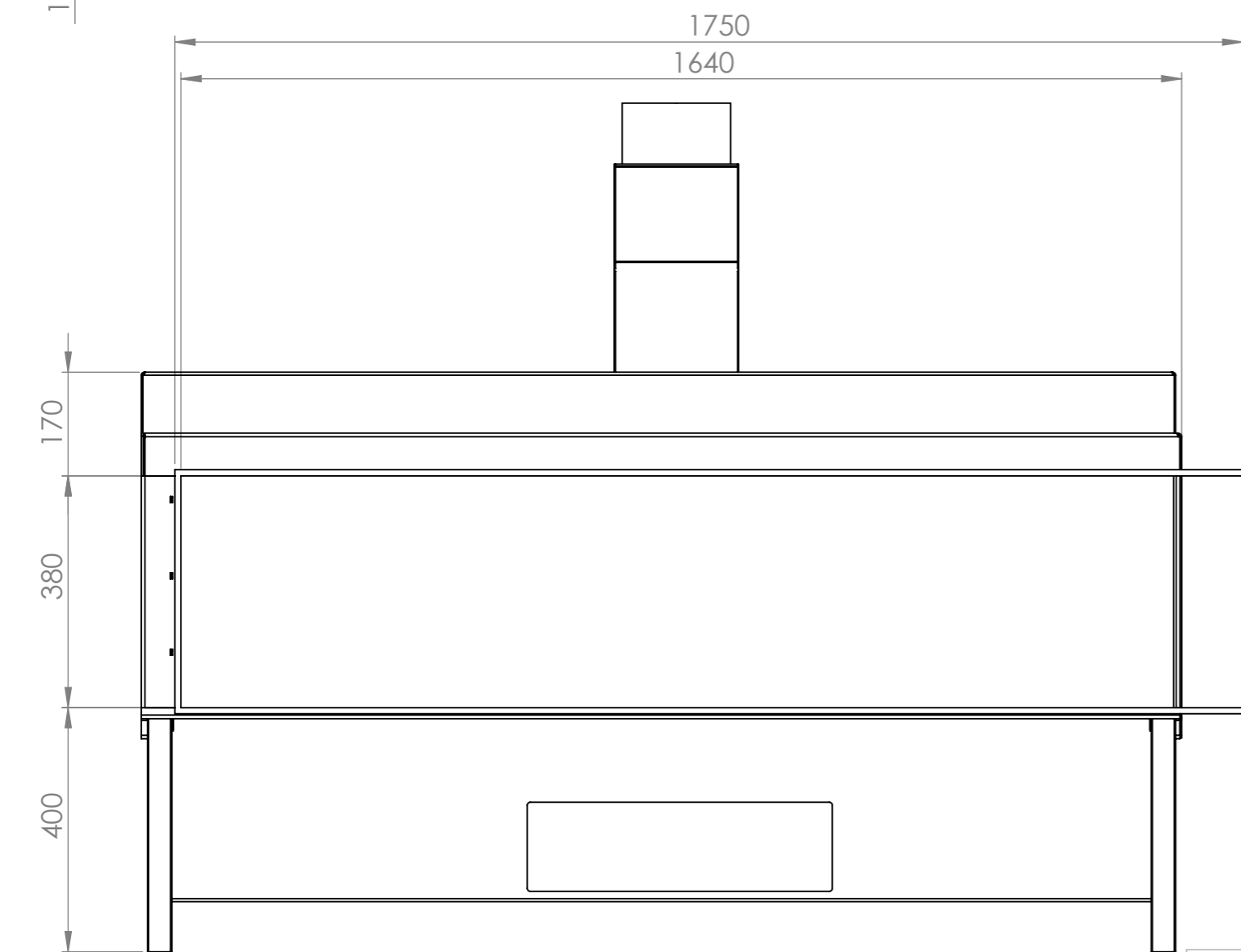
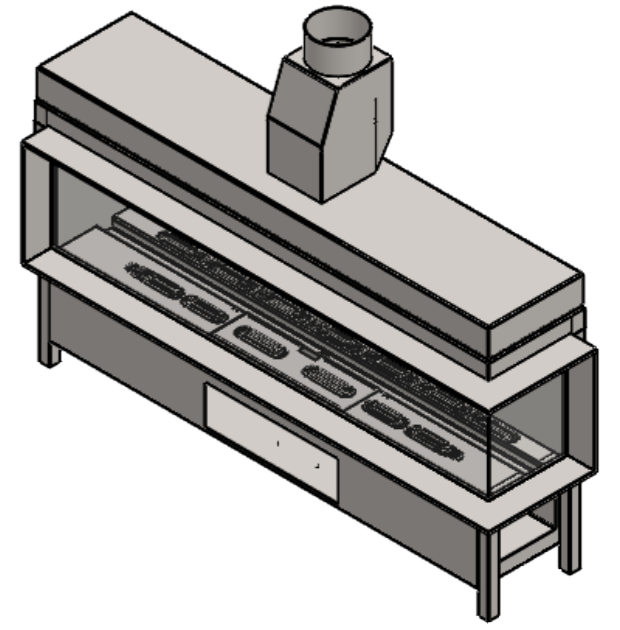
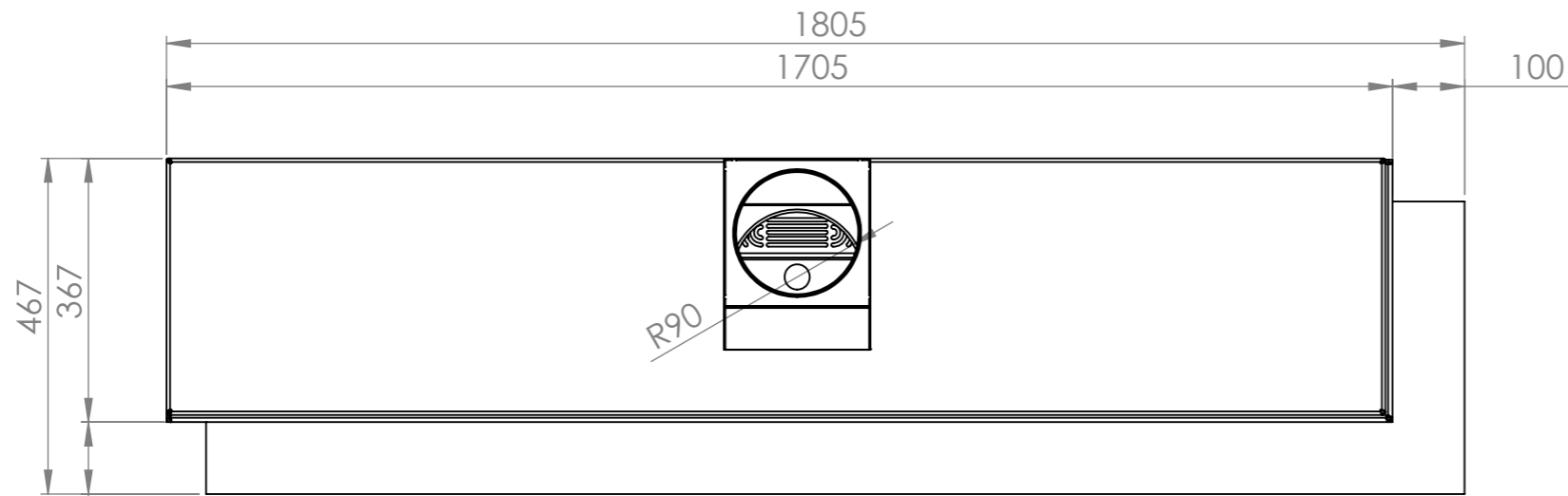
CLIENT				PROJECT Gala 5 Corner Left B11 150 - Slim frame 100/10 Line burner		ALL RIGHTS RESERVED AND COPYRIGHTS BY	
				PART NUMBER GA5HL-B11-SLF		 Vero Design Zagerijstraat 23 B-2960 Sint-Job	
DRAWN	NAME	DATE 8/10/2019	SIGN	MATERIAL:		UNLESS OTHERWISE SPECIFIED: DIMENSIONS ARE IN MILLIMETERS TOLERANCES: ISO 2768 m K	DEBURR AND BREAK SHARP EDGES
CHK'D			WEIGHT:				
APPV'D			FINISH:				
						DO NOT SCALE DRAWING	SHEET 1 OF 1


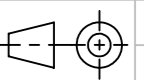


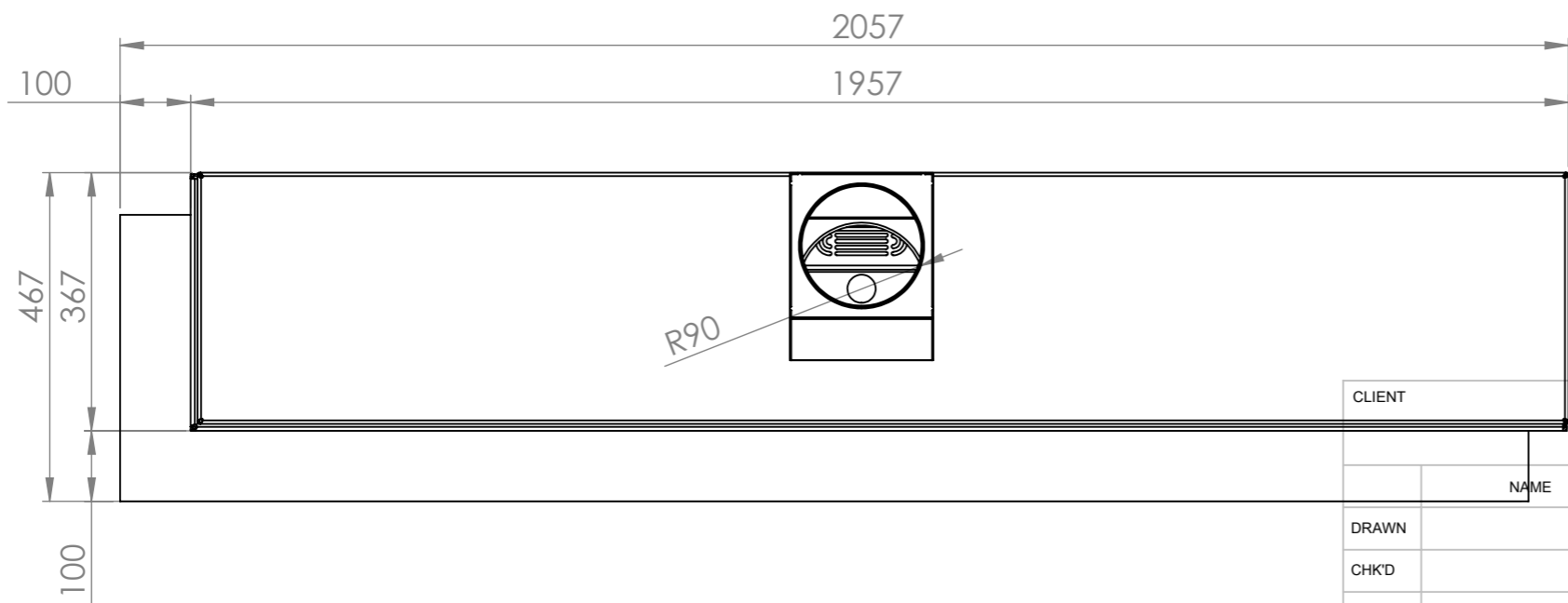
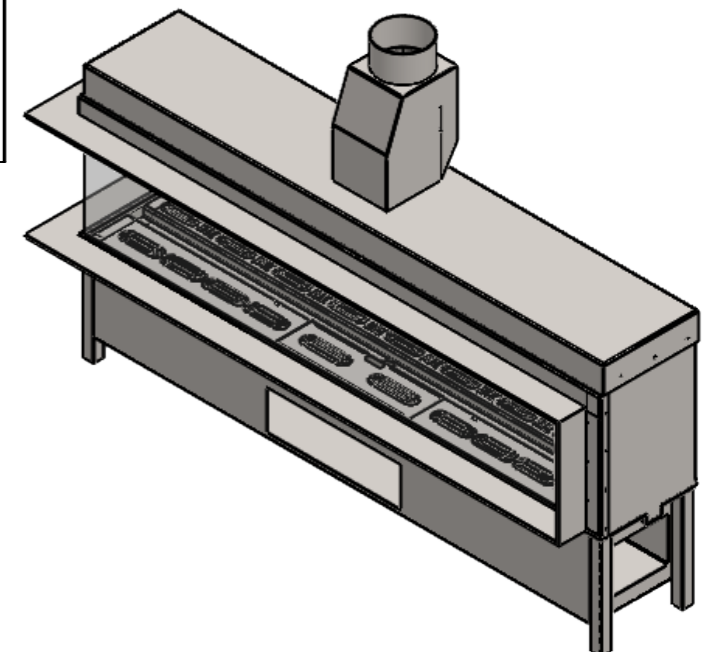
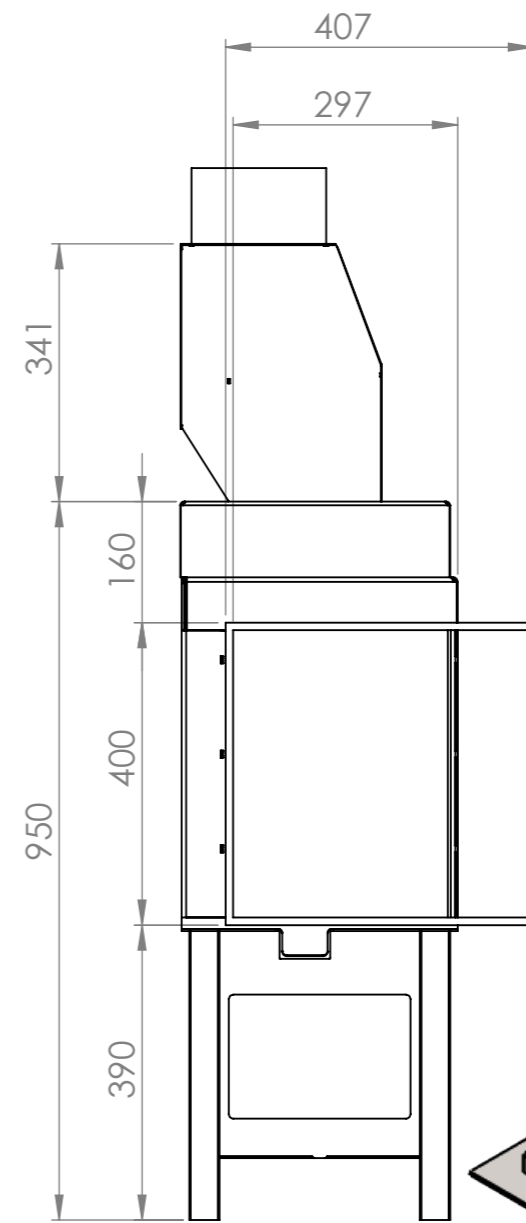
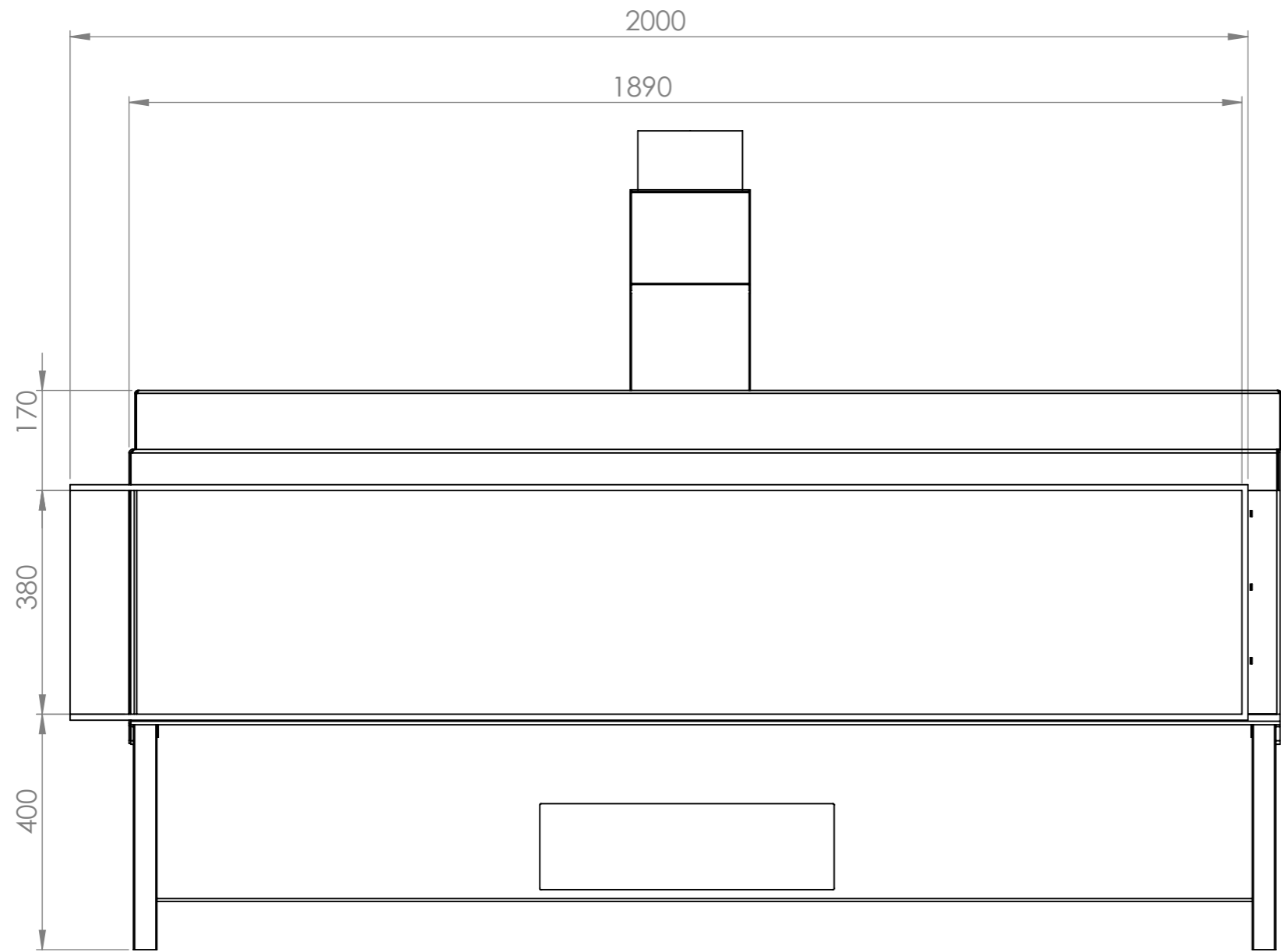
CLIENT				PROJECT		Gala 5 Corner Right B11 150 - Slim frame 100/10 Line burner		ALL RIGHTS RESERVED AND COPYRIGHTS BY	
				PART NUMBER		GA5HL-B11-SLF		 Vero Design Zagerijstraat 23 B-2960 Sint-Job	
DRAWN	NAME	DATE	SIGN	MATERIAL:		UNLESS OTHERWISE SPECIFIED: DIMENSIONS ARE IN MILLIMETERS TOLERANCES: ISO 2768 m K		DEBURR AND BREAK SHARP EDGES	
CHK'D				WEIGHT:					
APPV'D				FINISH:				A3 SCALE: 1:10	
								DO NOT SCALE DRAWING	
								SHEET 1 OF 1	


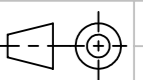


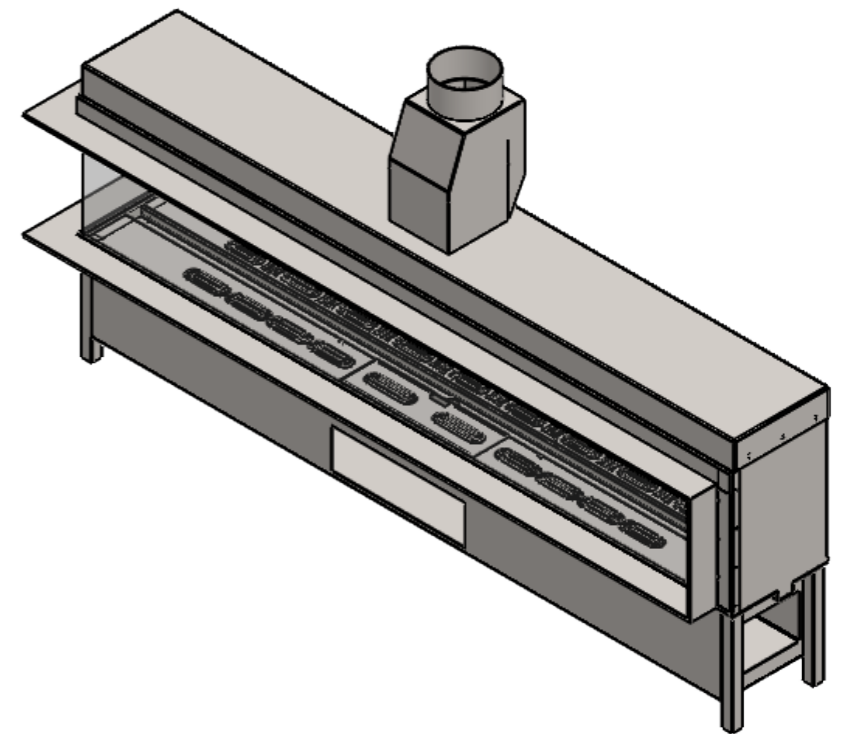
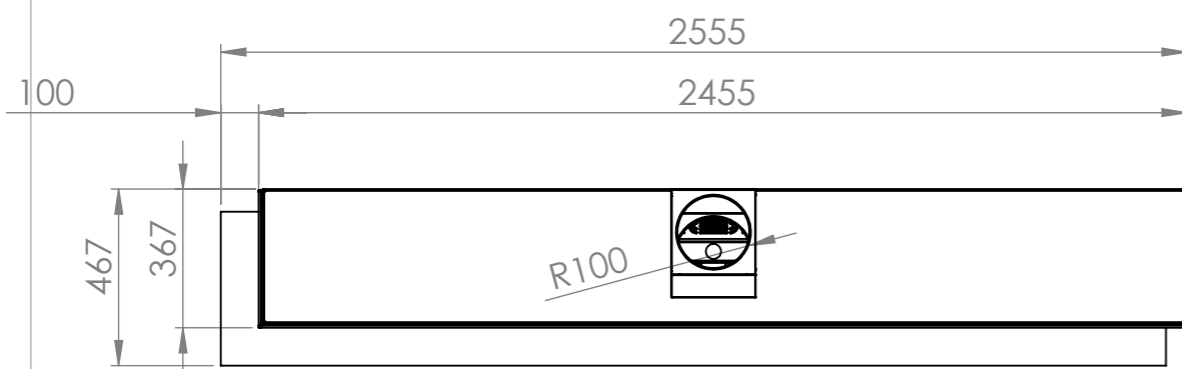
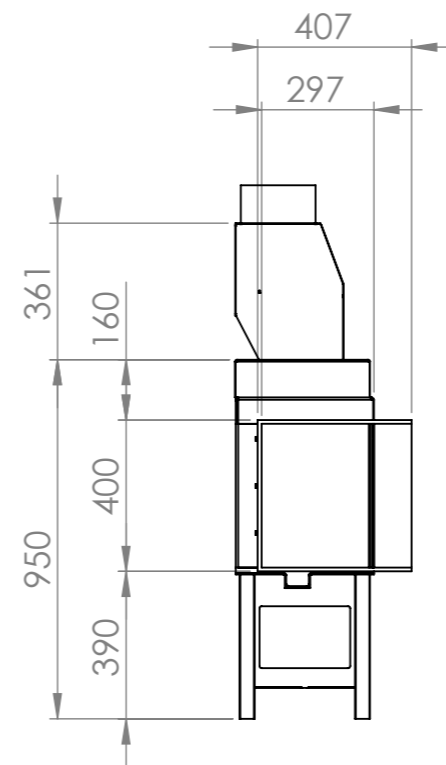
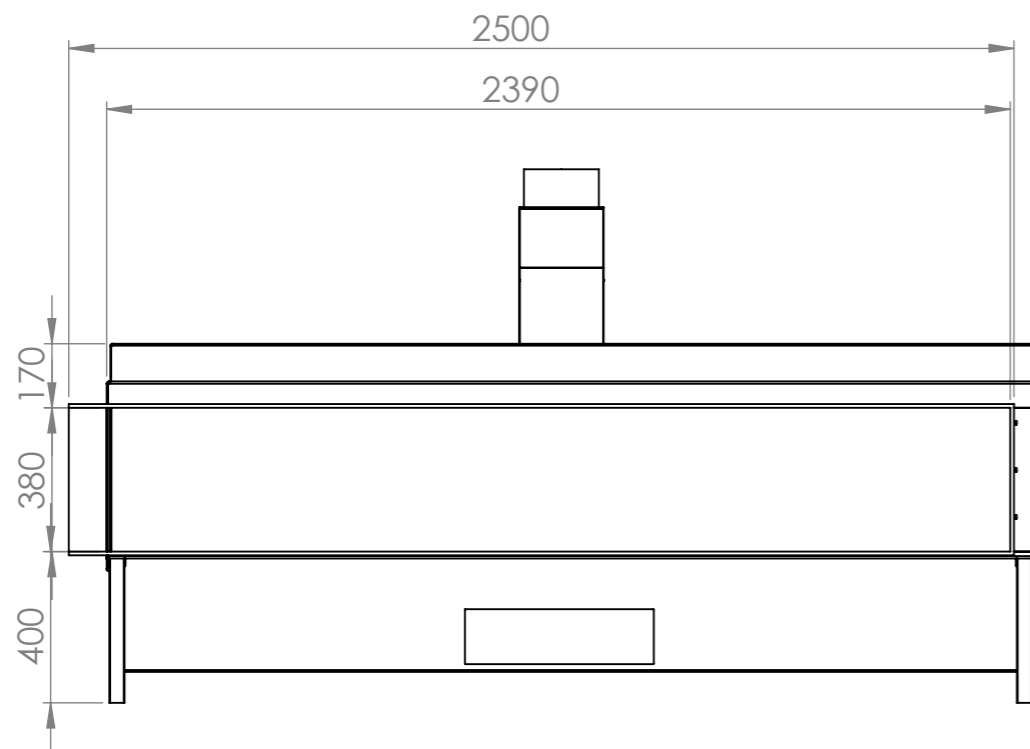
CLIENT				PROJECT Gala 6 Corner Right B11 180 - Slim frame 100/10 Line burner		ALL RIGHTS RESERVED AND COPYRIGHTS BY	
				PART NUMBER GA6HL-B11-SLF		 Vero Design Zagerijstraat 23 B-2960 Sint-Job	
DRAWN	NAME	DATE	SIGN	MATERIAL:	UNLESS OTHERWISE SPECIFIED: DIMENSIONS ARE IN MILLIMETERS TOLERANCES: ISO 2768 m K	DEBURR AND BREAK SHARP EDGES	 A3 SCALE: 1:10
CHK'D			WEIGHT:				
APPV'D			FINISH:				
						DO NOT SCALE DRAWING	
						SHEET 1 OF 1	


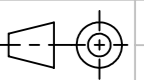


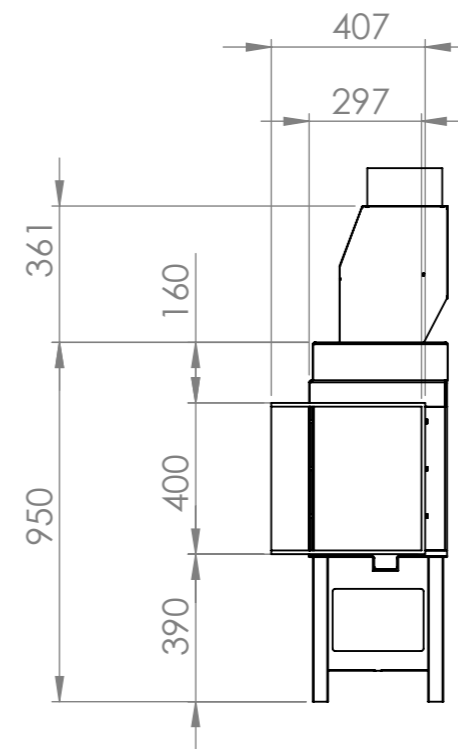
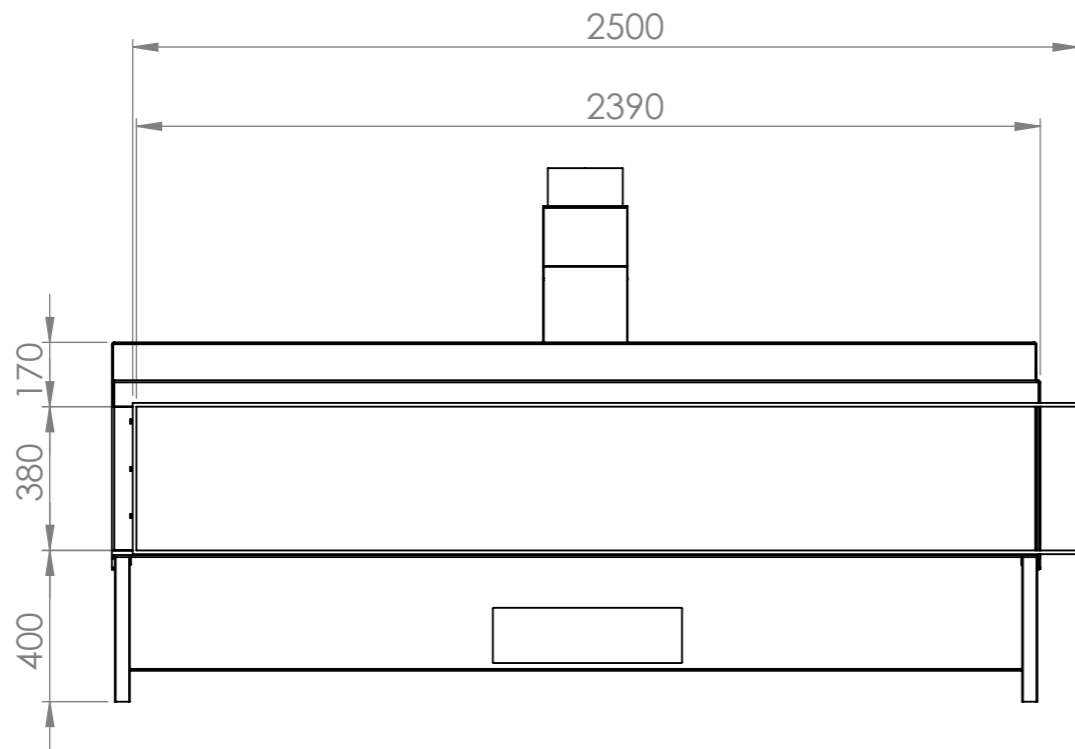
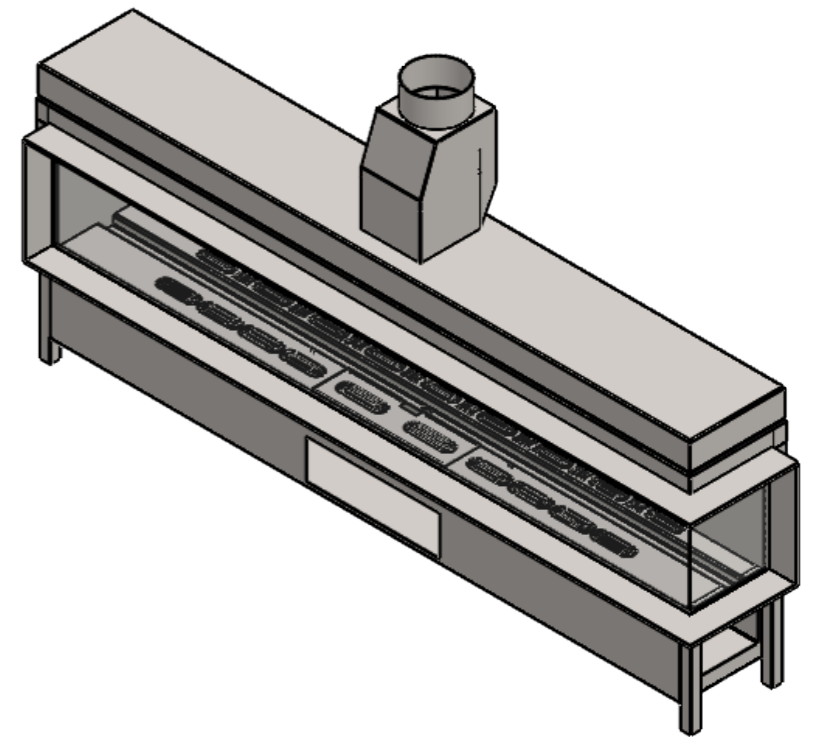
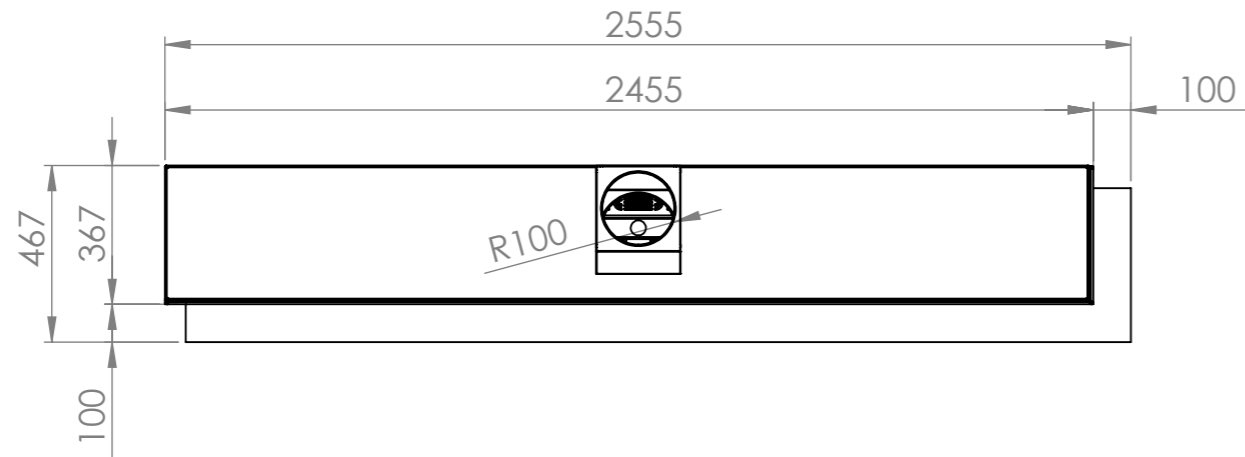
CLIENT				PROJECT Gala 6 Corner Right B11 180 - Slim frame 100/10 Line burner		ALL RIGHTS RESERVED AND COPYRIGHTS BY		
				PART NUMBER GA6HL-B11-SLF		 Vero Design Zagerijstraat 23 B-2960 Sint-Job		
DRAWN	NAME	DATE	SIGN	MATERIAL:		UNLESS OTHERWISE SPECIFIED: DIMENSIONS ARE IN MILLIMETERS TOLERANCES: ISO 2768 m K	DEBURR AND BREAK SHARP EDGES	
CHK'D		8/10/2019		WEIGHT:				
APPV'D				FINISH:				
						DO NOT SCALE DRAWING	SHEET 1 OF 1	


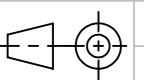


CLIENT				PROJECT Gala 7 Corner Left B11 180 - Line burner Slim frame 100/10		ALL RIGHTS RESERVED AND COPYRIGHTS BY	
NAME				PART NUMBER GA7HL-B11-SLF		 Vero Design Zagerijstraat 23 B-2960 Sint-Job	
DRAWN		DATE	29/03/2019	MATERIAL:		UNLESS OTHERWISE SPECIFIED: DIMENSIONS ARE IN MILLIMETERS TOLERANCES: ISO 2768 m K	DEBURR AND BREAK SHARP EDGES
CHK'D				WEIGHT:			
APPV'D				FINISH:			
							A3 SCALE:1:10
						DO NOT SCALE DRAWING	SHEET 1 OF 1



CLIENT				PROJECT Gala 8 Corner Left B11 200 - Slim frame 100/10 Line burner		ALL RIGHTS RESERVED AND COPYRIGHTS BY	
				PART NUMBER GA8HL-B11-SLF		 Vero Design Zagerijstraat 23 B-2960 Sint-Job	
DRAWN	NAME	DATE 9/10/2019	SIGN	MATERIAL:	UNLESS OTHERWISE SPECIFIED: DIMENSIONS ARE IN MILLIMETERS TOLERANCES: ISO 2768 m K		DEBURR AND BREAK SHARP EDGES
CHK'D			WEIGHT:				
APPV'D			FINISH:				
							A3 SCALE:1:20
						DO NOT SCALE DRAWING	SHEET 1 OF 1



CLIENT				PROJECT Gala 8 Corner Right B11 200 - Slim frame 100/10 Line burner		ALL RIGHTS RESERVED AND COPYRIGHTS BY	
				PART NUMBER GA8HL-B11-SLF		 Vero Design Zagerijstraat 23 B-2960 Sint-Job	
DRAWN	NAME	DATE 9/10/2019	SIGN	MATERIAL:	UNLESS OTHERWISE SPECIFIED: DIMENSIONS ARE IN MILLIMETERS TOLERANCES: ISO 2768 m K		DEBURR AND BREAK SHARP EDGES
CHK'D			WEIGHT:				
APPV'D			FINISH:				
							A3 SCALE:1:20
						DO NOT SCALE DRAWING	SHEET 1 OF 1