



VENTLAB

The Art of Ventilation



PRODUCTS CATALOGUE

V-type GRILLES _____	p. 3
V-type with grille moveable jalouise _____	p. 4
V-type grille with solid jalouise _____	p. 5
V-type grille with mesh _____	p. 6
INVI grille _____	p. 7
Levelling frame _____	p. 8
Decking grille _____	p. 9
Masking plate _____	p. 10
Inlet cassettes _____	p. 11
LOFT grille _____	p. 13
Masking plate _____	p. 14
V-OPEN GRILLES _____	p. 15
V-OPEN-I grille _____	p. 16
V-OPEN-I grille with frame _____	p. 16
V-OPEN-L grille _____	p. 17
V-OPEN-L grille with frame _____	p. 18
V-BOX SYSTEM _____	p. 19
V-Box set _____	p. 21
V-Box ventilation module _____	p. 21
V-Box light module _____	p. 22
V-Box back panel _____	p. 22

V-type GRILLES



“V” series of ventilation grilles bring both aesthetics and highest quality to the fireplace casing. Design of the grille corresponds perfectly with modern interior designs and minimalistic fireplace inserts.



What makes the grille special is also the way it is made... not only by means of highest precision of all details but also the material used. The grille is heavy ... that's because it is made out of thick metal, is equipped with very stable mounting frame and precise jalousie moving mechanism (where applicable), all that gives stability and rigidity.

Making the grille requires quite a lot of handwork, as all shutters are separately painted and riveted to the main unit after powder coating. That gives warranty that all will last for a long time ... and will look good. In version with moveable jalousie the adjusting mechanism is bit of a masterpiece, special construction assures that the jalousie always stays in desired position.

When shutter adjustment is not necessary, version with solid (placed under an angle of 45 degrees) jalousie or with no jalousie but wire mesh - are available. Both of them give almost the same design features at lower price.

Mounting frame is made in a solid way (with 1,0mm and 0,8mm galvanised steel), so it can withstand quite a load ... no problem with placing light construction walls directly onto the frame (that makes it much easier to work with when arranging a fireplace). Special frame construction allows it also to be easily placed in drywall. Frame is equipped with adjustment rims, what combined with specially prefabricated handles of the grille, gives big possibilities of positioning adjustment of the grille after mounting.

Finally take a look at the way the grille is packed... this also gives an idea that you receive a high end product. Some may say packing is just a waste of paper, but, well... tell that to your customers.

Mounting of the grille is made by placing the frame in the fireplace casing wall and pushing the grille into it (grille placing can then be adjusted using the rims on the frame).



ventilation ducts



air heating



easy to mount

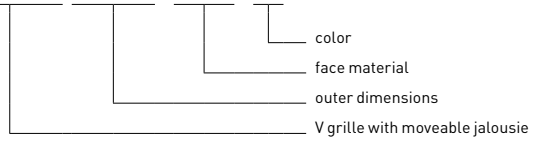
V-type GRILLES

V GRILLE WITH MOVEABLE JALOUSIE



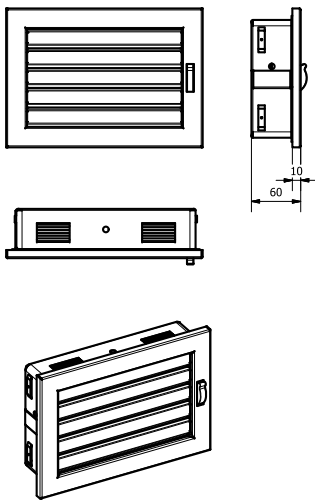
Denotations / product codes

KRVZ AxB-ML.a

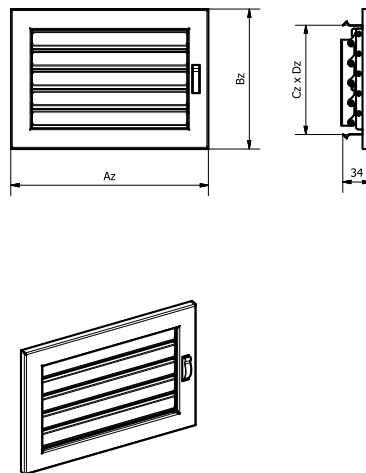


Destination	W	W	W - ventilation	Face color	
	0	0	0 - air heating	B	white
Face material	ML	-	ML - mild steel sheet powder coated	CZ	black

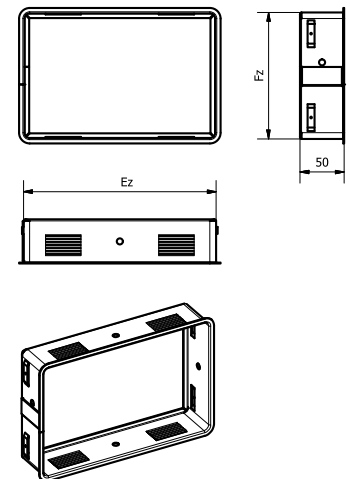
Grille with frame



Face



Mounting frame



Face outer dimensions AxB [mm]	Cross-section [cm ²]	Weight [kg]	Grille dimensions [mm]				Frame dimensions [mm]	
			Az	Bz	Cz	Dz	Ez	Fz
200x145	140	1.0	200	145	107	118	178	118
190x170	165	1.0	190	170	132	108	168	143
240x170	225	1.2	240	170	132	158	218	143
220x220	285	1.3	220	220	182	132	198	193
325x170	325	1.4	325	170	132	243	303	143
325x195	395	1.6	325	195	157	243	303	168
450x170	475	1.8	450	170	132	368	428	143
450x220	674	2.1	450	220	182	368	428	193
450x240	754	2.2	450	240	202	368	428	213

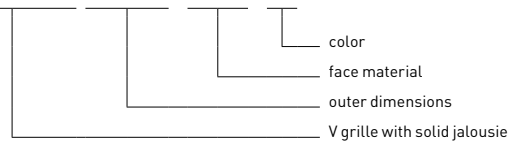
V-type GRILLES

V GRILLE WITH SOLID JALOUSIE



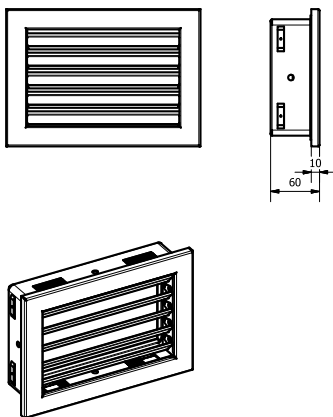
Denotations / product codes

KRVZS AxB-ML.a

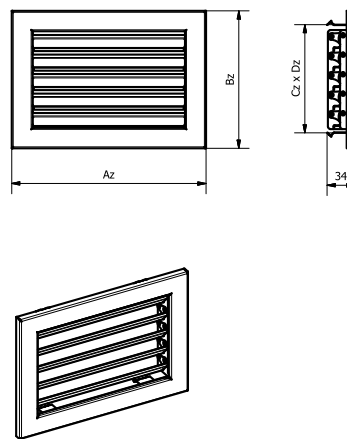


Destination	W	W	W - ventilation	Face color	
	O	O	O - air heating	B	white
Face material	ML	-	ML - mild steel sheet powder coated	CZ	black

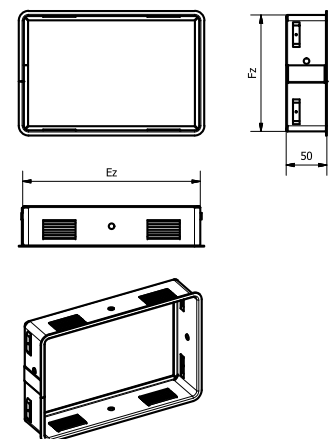
Grille with frame



Face



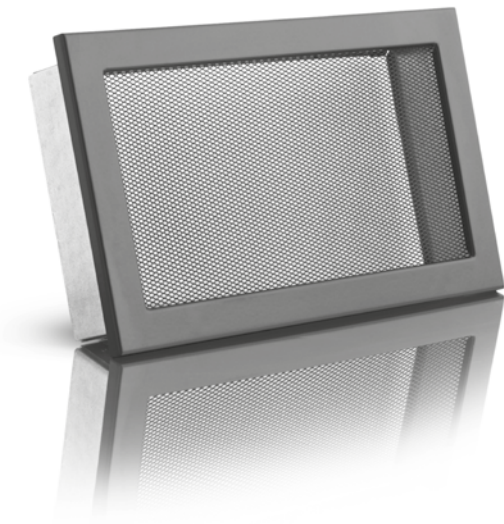
Mounting frame



Face outer dimensions AxB [mm]	Cross-section [cm ²]	Weight [kg]	Grille dimensions [mm]				Frame dimensions [mm]	
			Az	Bz	Cz	Dz	Ez	Fz
220x95	73	0.7	220	95	57	132	198	68
200x145	140	1.0	200	145	107	118	178	118
190x170	165	1.1	190	170	132	108	168	143
240x170	225	1.2	240	170	132	158	218	143
220x220	285	1.3	220	220	182	132	198	193
325x170	325	1.4	325	170	132	243	303	143
325x195	395	1.6	325	195	157	243	303	168
450x170	475	1.8	450	170	132	368	428	143
450x220	674	2.1	450	220	182	368	428	193
450x240	754	2.2	450	240	202	368	428	213

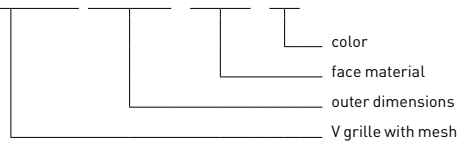
V-type GRILLES

V GRILLE WITH MESH



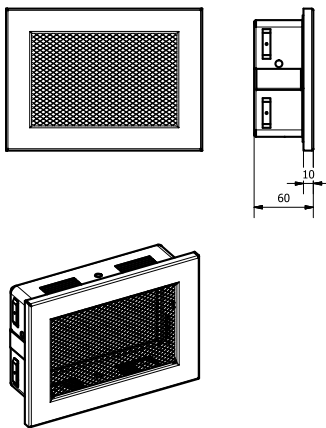
Denotations / product codes

KRVSM AxB-ML.a

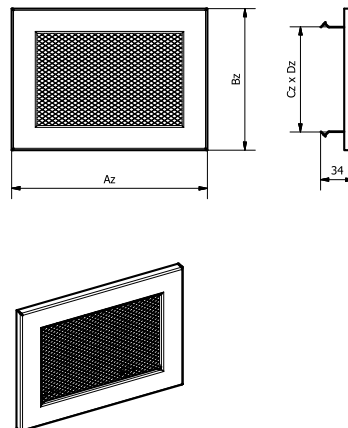


Destination	W	W	W - ventilation	Face color	
	0	0	0 - air heating	B	white
Face material	ML	-	ML - mild steel sheet powder coated	CZ	black

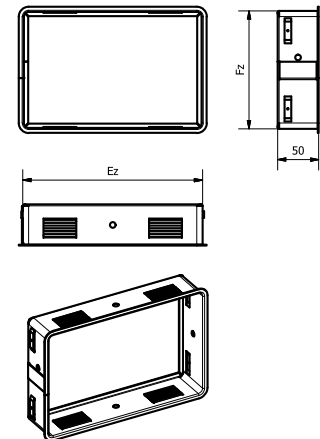
Grille with frame



Face



Mounting frame



Face outer dimensions AxB [mm]	Cross-section [cm ²]	Weight [kg]	Grille dimensions [mm]				Frame dimensions [mm]	
			Az	Bz	Cz	Dz	Ez	Fz
220x95	73	0.7	220	95	57	132	198	68
200x145	140	1.0	200	145	107	118	178	118
190x170	165	1.1	190	170	132	108	168	143
240x170	225	1.2	240	170	132	158	218	143
220x220	285	1.3	220	220	182	132	198	193
325x170	325	1.4	325	170	132	243	303	143
325x195	395	1.6	325	195	157	243	303	168
450x170	475	1.8	450	170	132	368	428	143
450x220	674	2.1	450	220	182	368	428	193
450x240	754	2.2	450	240	202	368	428	213

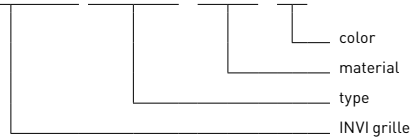
V-type GRILLES

INVI GRILLE



Denotations / product codes

KRVIN ...x...-ML.a

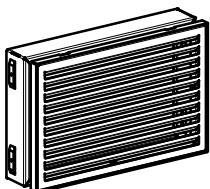
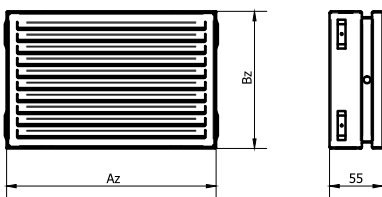


Destination	0	0	0 - air heating	Face color	
Face material	ML	-	ML - mild steel sheet powder coated	B	white
				CZ	black

The "INVI" model has very simple form, that does not dominate the fireplace cladding... but is very aesthetical at the same time.

These grilles are an interesting alternative for grilles with solid jalousie or mesh. Grills are made for under-surface mounting only, therefore are equipped with specially prepared mounting frame.

"INVI" grilles are compatible with other Ventlab accessories such as inlet cassettes or masking frames. Available black or white color.



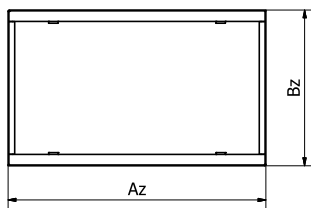
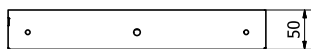
INVI type	Frame dimensions [mm]		Cross section [cm ²]	Weight [kg]
	Az	Bz		
200x70	198	68	29	0.30
180x120	178	118	62	0.35
170x145	168	143	72	0.38
220x145	218	143	97	0.45
200x195	198	193	122	0.51
305x145	303	143	140	0.58
305x170	303	168	168	0.63
430x145	428	143	202	0.76
430x195	428	193	283	0.90
430x215	428	213	324	0.95

V-type GRILLES

LEVELLING FRAME

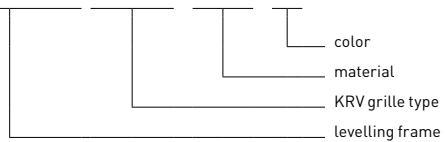


* Set does not include the KRV grille.



Denotations / product codes

KRV-RL AxB-ML.a



Destination	W	W	W - ventilation	Color	
	0	0	0 - air heating	B	white
Face material	ML	-	ML - mild steel sheet powder coated	CZ	black

KRV grille type AxB [mm]	Frame dimensions [mm]		Weight [kg]
	Az	Bz	
220x95	223	98	0.2
200x145	203	148	0.2
190x170	193	173	0.2
240x170	243	173	0.2
220x220	223	223	0.3
325x170	328	173	0.3
325x195	328	308	0.3
450x170	453	173	0.4
450x220	453	223	0.4
450x240	453	243	0.4

V-type GRILLES

DECKING GRILLE

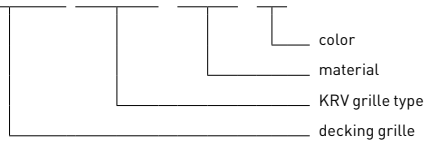


* Set does not include the KRV grille.

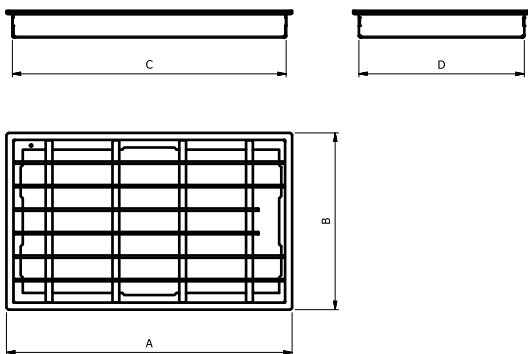
KRV grille with moveable jalouise, solid jalouise or with mesh can be used.

Denotations / product codes

KRVD AxB-ML.a



Destination	W	W	W - ventilation	Color	
	O	O	O - air heating	B	white
Face material	ML	-	ML - mild steel sheet powder coated	CZ	black

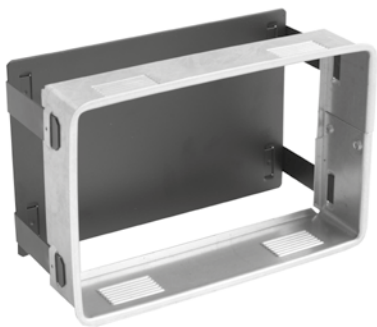


KRV grille type AxB [mm]	Dimensions [mm]				Weight* [kg]
	A	B	C	D	
325x170	342	187	328	173	3.0
325x195	342	212	328	198	3.3
450x170	467	187	453	173	4.0
450x240	467	257	453	243	5.0

* not including the KRV grille

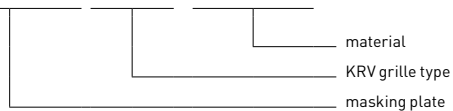
V-type GRILLES

MASKING PLATE

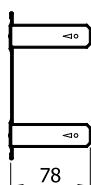
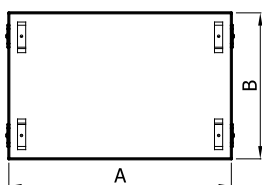


Denotations / product codes

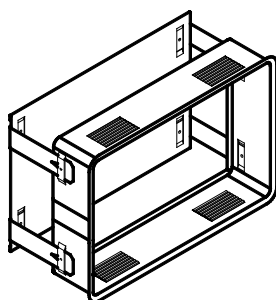
MKKRV AxB-ML.CZ



Destination	W	W	W - ventilation	Color	
	O	O	O - air heating		
Face material	ML	-	ML - mild steel sheet powder coated	CZ	black

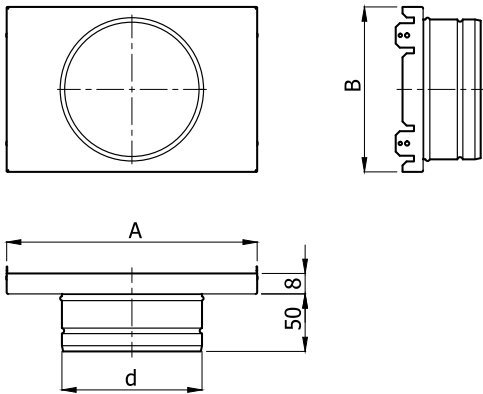


KRV grille type AxB [mm]	Dimensions [mm]		Weight [kg]
	A	B	
200x145	180	120	0.2
190x170	170	145	0.2
240x170	220	145	0.2
220x220	200	195	0.3
325x170	305	145	0.3
325x195	305	170	0.3
450x170	430	145	0.4
450x220	430	195	0.5
450x240	430	215	0.5



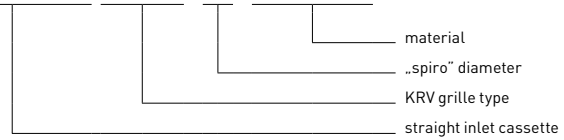
V-type GRILLES

INLET CASSETTE



Denotations / product codes

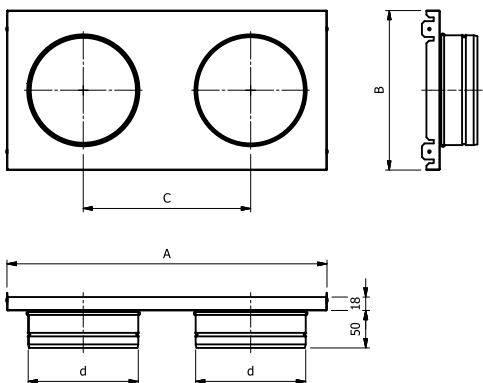
KDPKRV AxB/d-ML.CZ



Destination	W	W	W - ventilation
	O	O	O - air heating
Face material	ML.CZ	-	ML.CZ - galvanised steel powder coated black

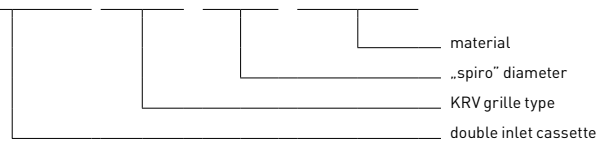
KRV grille type AxB [mm]	Dimensions [mm]		d „spiro“ range [mm]	Weight [kg]
	A	B		
200x145	180	120	80-110	0.2
190x170	170	145	80-150	0.2
240x170	220	145	80-150	0.3
220x220	200	195	80-180	0.3
325x170	305	145	80-150	0.3
325x195	305	170	80-150	0.3
450x170	430	145	80-150	0.4
450x220	430	195	80-180	0.5
450x240	430	215	80-200	0.5

DOUBLE INLET CASSETTE



Denotations / product codes

KDPKRV AxB/2xd-ML.CZ

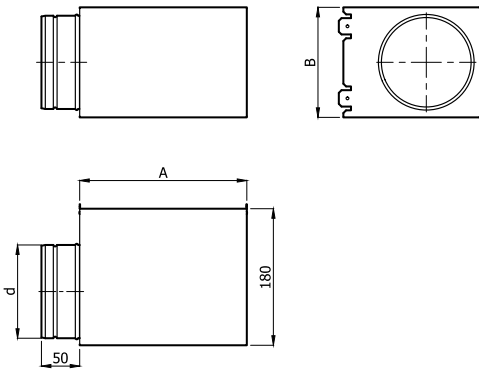


Destination	W	W	W - ventilation
	O	O	O - air heating
Face material	ML.CZ	-	ML.CZ - galvanised steel powder coated black

KRV grille type AxB [mm]	Dimensions [mm]			d „spiro“ range [mm]	Weight [kg]
	A	B	C		
450x170	430	145	225	2x80-150	0.5
450x220	430	195	225	2x80-180	0.5
450x240	430	215	225	2x80-180	0.5

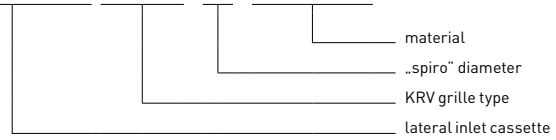
V-type GRILLES

LATERAL INLET CASSETTE



Denotations / product codes

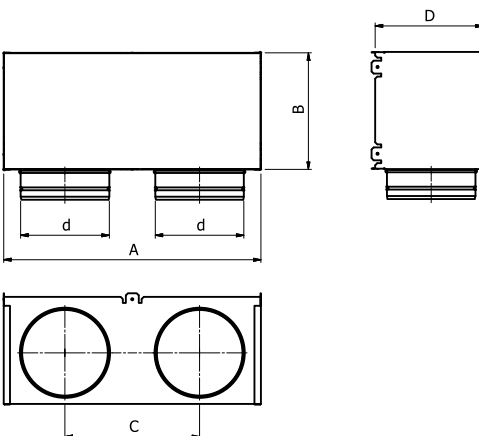
KDBKRV AxB/d-ML.CZ



Destination	W	W	W - ventilation
	O	O	O - air heating
Face material	ML.CZ	-	ML.CZ - galvanised steel powder coated black

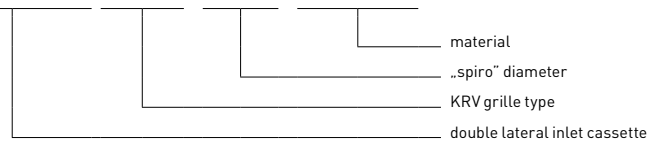
KRV grille type AxB [mm]	Dimensions [mm]		d „spiro“ range [mm]	Weight [kg]
	A	B		
200x145	180	120	80-110	0.6
190x170	170	145	80-150	0.6
240x170	220	145	80-150	0.7
220x220	200	195	80-180	0.8
325x170	305	145	80-150	0.9
325x195	305	170	80-150	1.0
450x170	430	145	80-150	1.4
450x220	430	195	80-180	1.4
450x240	430	215	80-200	1.5

DOUBLE LATERAL INLET CASSETTE



Denotations / product codes

KDBKRV AxB/2xd-ML.CZ

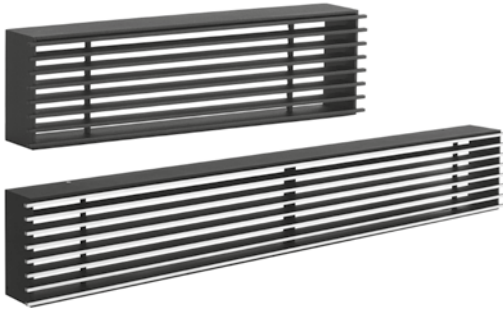


Destination	W	W	W - ventilation
	O	O	O - air heating
Face material	ML.CZ	-	ML.CZ - galvanised steel powder coated black

KRV grille type AxB [mm]	Dimensions [mm]			d „spiro“ range [mm]	Weight [kg]
	A	B	C		
450x170	430	145	225	2x80-150	1.3
450x220	430	195	225	2x80-180	1.4
450x240	430	215	225	2x80-180	1.4

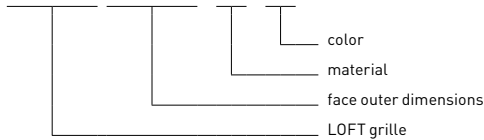
V-type GRILLES

LOFT GRILLE



Denotations / product codes

KRR ...x... - a . b



Destination	O	O - air heating	Color	
Material	ML	Face and channel: mild steel sheet powder coated	B	white
			CZ	black
	CH	Face: chrome-nickel sheet brushed Channel: mild steel sheet powder coated	-	-
			B	white
			CZ	black

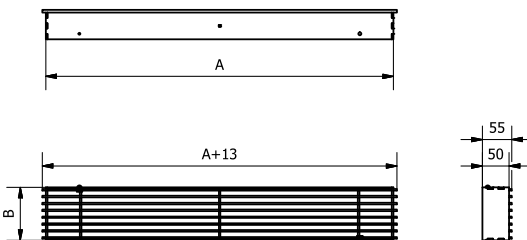
LOFT grilles can be called uncompromising, thick, 3 mm steel and simplicity give them some character. Solid, heavy construction make You notice them immediately. This is not a style for everyone... this is something for special places.

If you like fireplace grilles, that are simple, solid and of massive construction - this is something for you. Thick steel makes them heavy, very heavy - this is, of course, how we wanted them to be. Product was designed for modern, low-detailed interiors, for fireplaces where every little ornament is a waste. The name - LOFT came out to link the product to post-industrial, rough style. This is definitely not something everyone will like, but it is not a product for everyone.

LOFT grilles are made from thick mild steel, powder coated (black or white). Front panel sticks out from frame and overlaps the wall - it makes a unique effect.

All grilles are equipped with solid mounting frame and special holders that are a protection from accidental falling out of the frame.

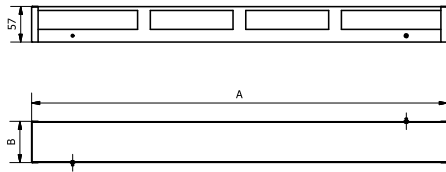
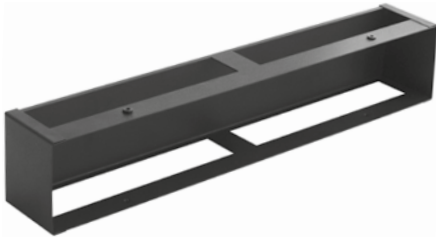
The grilles are available in three lengths and two sizes. Optionally, a masking plate can be applied in order to prevent from looking inside the fireplace.



Face outer dimensions AxB [mm]	Cross section [cm ²]	Weight [kg]
350x60	128	2.1
650x60	247	3.7
1000x60	385	5.5
350x100	233	2.8
650x100	432	4.9
1000x100	670	7.4

V-type GRILLES

MASKING PLATE



Denotations / product codes

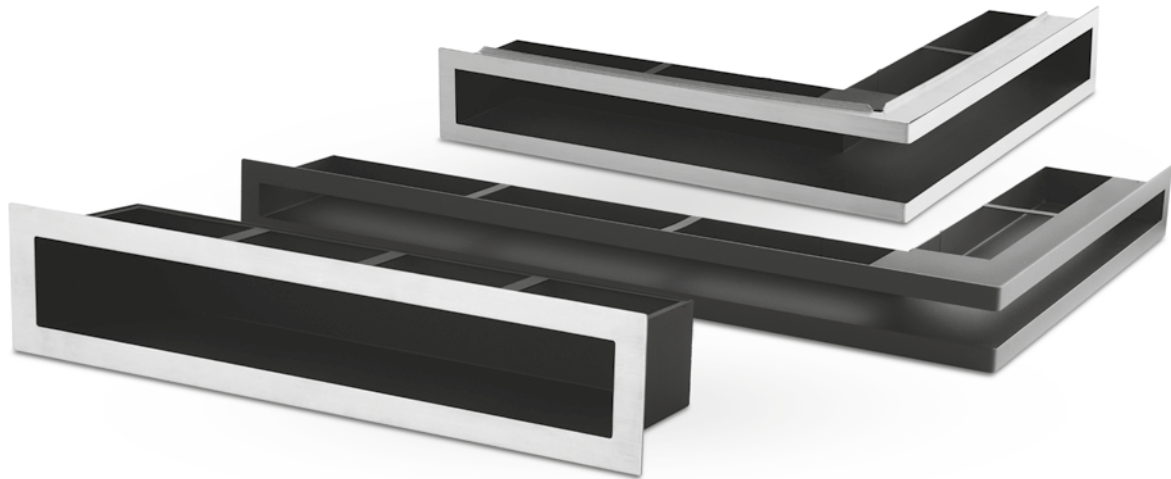
MKKRR ...x... - ML.CZ



Destination	0	0 - air heating
Material	ML.CZ	ML.CZ - mild steel sheet powder coated black

Loft grille type	Dimensions [mm]		Weight [kg]
	A	B	
350x60	353	65	0.32
650x60	653	65	0.55
1000x60	1003	65	0.85
350x100	353	103	0.45
650x100	653	103	0.75
1000x100	1003	103	1.1

V-open GRILLES



„V-OPEN“ series of grilles give more than just a new look for the fireplace casing, they define their style. Precisely manufactured with highest focus on details - simple in design, but you just can't take your eyes off them.



V-Open grilles are made with thick mild steel powder coated. Front of the grille is a separate part welded to the channel, this assures no deformations and smooth surface. All elements of the channel are detailed to perfection, to make sure no holes are there and there is no way to see through the grille. The way grilles are constructed assures that pressure losses are minimal and grilles are easy to clean.

Grilles are made powder coated (white, black or with stainless steel front) in different sizes and lengths, also special corner grilles are available.

Grilles are to be mounted above the fireplace insert with the air outlet down, or under the fireplace (as convection air inlet) with the air outlet up.



ventilation ducts



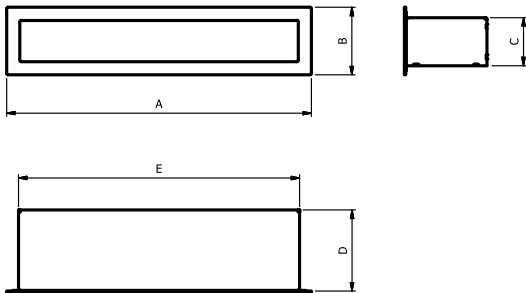
air heating



easy to mount

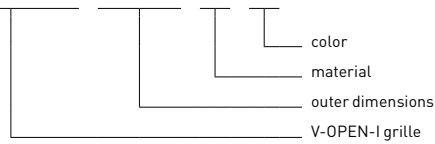
V-openGRILLES

V-OPEN-I GRILLES



Denotations / product codes

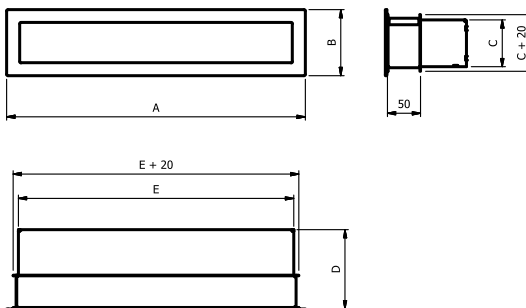
KRVO-I-AxB-a.b



Destination	O	O - air heating	Color	
Material	ML	Face and channel: mild steel sheet powder coated	B	white
			CZ	black
	CH	Face: chrome-nickel sheet brushed Channel: mild steel sheet powder coated	-	-
			B	white
			CZ	black
			GR	grey

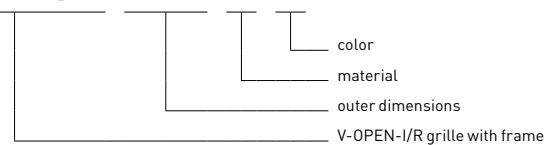
Face outer dimensions AxB [mm]	Cross-section [cm ²]	Dimensions [mm]			Weight [kg]
		C	D	E	
450x100	235	71	120	415	1.4
900x100	515	71	120	865	2.6
450x70	125	41	91	415	1.2
900x70	265	41	91	865	2.2

V-OPEN-I GRILLE WITH FRAME



Denotations / product codes

KRVO-I/R-AxB-a.b

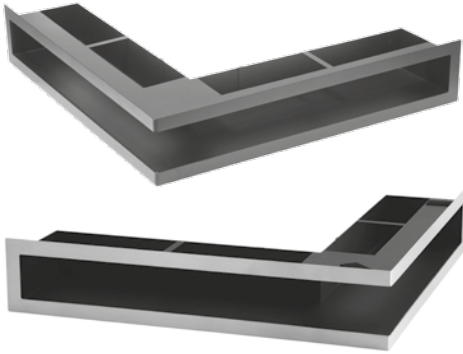


Destination	O	O - air heating	Color	
Material	ML	Face and channel: mild steel sheet powder coated	B	white
			CZ	black
	CH	Face: chrome-nickel sheet brushed Channel: mild steel sheet powder coated	-	-
			B	white
			CZ	black
			GR	grey

Face outer dimensions AxB [mm]	Cross-section [cm ²]	Dimensions [mm]			Weight [kg]
		C	D	E	
450x100	235	71	120	415	1.9
700x100	395	71	120	665	2.7
900x100	515	71	120	865	3.6
450x70	125	41	91	415	1.7
700x70	210	41	91	665	2.3
900x70	265	41	91	865	3.2

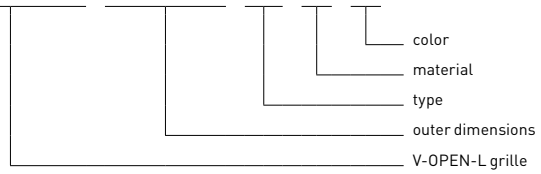
V-open GRILLES

V-OPEN-L GRILLES



Denotations / product codes

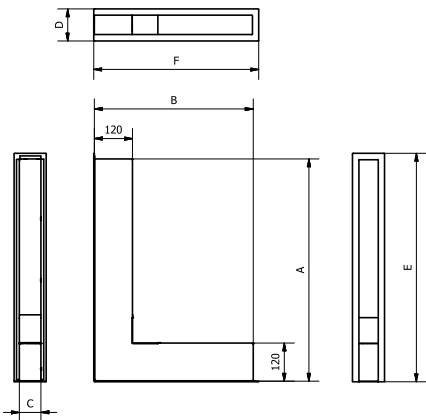
KRVO-L-AxB/D-...-a . b



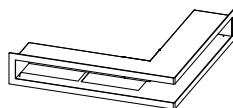
for ex. KRVO-L-500x300/100-P-ML.B

Note! Set includes mounting spacer.

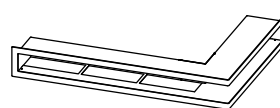
Destination	O	O - air heating	Color	
Material	ML	Face and channel: mild steel sheet powder coated	B	white
			CZ	black
			GR	grey
	CH	Face: chrome-nickel sheet brushed Channel: mild steel sheet powder coated	-	-
			B	white
			CZ	black
			GR	grey



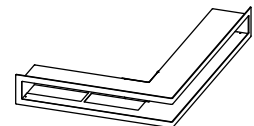
Type	Face outer dimensions AxB/D [mm]	Cross-section [cm ²]	Dimensions [mm]							Weight [kg]
			A	B	C	D	E	F	G	
P	300x500/100	365	300	500	68	100	320	520	120	2.1
	300x500/70	365	300	500	38	70	320	520	120	1.9
L	500x300/100	365	500	300	68	100	520	320	120	2.1
	500x300/70	365	500	300	38	70	520	320	120	1.9
-	500x500/100	495	500	500	68	100	520	520	120	3.4
	500x500/70	495	500	500	38	70	520	520	120	2.8
P	500x700/100	626	500	700	68	100	520	720	120	3.2
	500x700/70	626	500	700	38	70	520	720	120	2.9
L	700x500/100	626	700	500	68	100	720	520	120	3.2
	700x500/70	626	700	500	38	70	720	520	120	2.9



Symmetrical



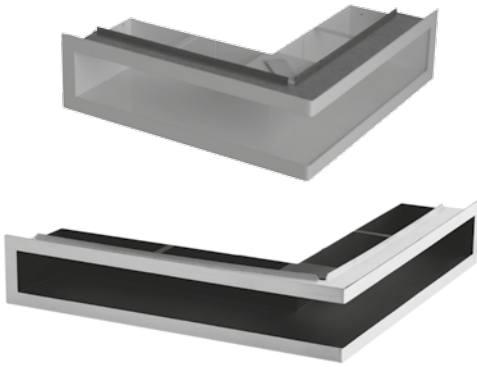
Asymmetrical
L - left



Asymmetrical
P - right

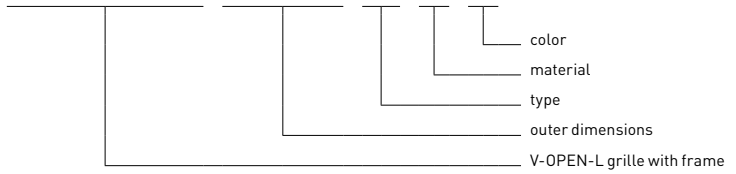
V-openGRILLES

V-OPEN-L/R GRILLES WITH FRAME



Denotations / product codes

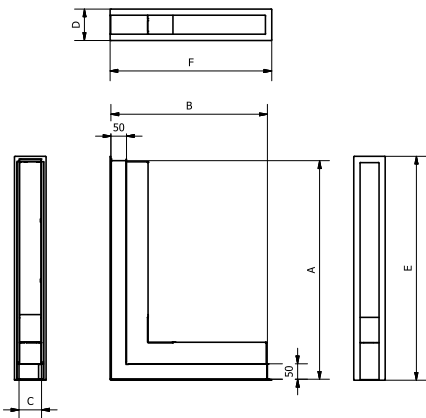
KRVO-L/R-AxB/D-...-a.b



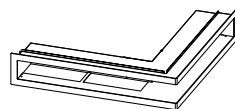
for ex. KRVO-L/R-500x300/100-P-ML.B

Note! Set includes mounting spacer.

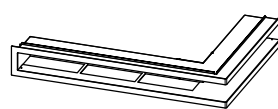
Destination	O	O - air heating	Color	
Material	ML	Face and channel: mild steel sheet powder coated	B	white
			CZ	black
	CH	Face: chrome-nickel sheet brushed Channel: mild steel sheet powder coated	-	-
			B	white
			CZ	black
			GR	grey



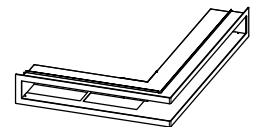
Type	Face outer dimensions AxB/D [mm]	Cross-section [cm ²]	Dimensions [mm]							Weight [kg]
			A	B	C	D	E	F	G	
P	300x500/100	365	300	500	68	100	320	520	120	2.9
	300x500/70	365	300	500	38	70	320	520	120	2.7
L	500x300/100	365	500	300	68	100	520	320	120	2.9
	500x300/70	365	500	300	38	70	520	320	120	2.7
-	500x500/100	495	500	500	68	100	520	520	120	3.8
	500x500/70	495	500	500	38	70	520	520	120	3.4
P	500x700/100	626	500	700	68	100	520	720	120	4.3
	500x700/70	626	500	700	38	70	520	720	120	4.0
L	700x500/100	626	700	500	68	100	720	520	120	4.3
	700x500/70	626	700	500	38	70	720	520	120	4.0



Symmetrical



Asymmetrical
L - left



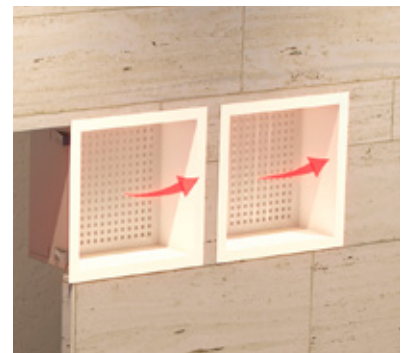
Asymmetrical
P - right

V-BOX System



„V-BOX“ system is a set of design features perfect for modern fireplace claddings. With the help of these simple forms you can build an individual and good-looking fireplace in an easy way.

Units of the system may work like a shelf, wood storage or anything you like them to be. If you want to bright up the room, use the light module... if white light is not enough or you need to create some special atmosphere - we have a special dimmer or color changing units. Ventilation module can work like a grille, providing convection air to the room, with no harm to the aesthetics of the whole installation. If you feel like changing the fireplace cladding a bit, maybe it would be a good idea to change the backpanel of the v-box standard module, takes less than 15 seconds and you have a new design feature in your room.



V-BOX System

V-BOX SET



This is the basic element of the system (vent or light modules are then attached to the main set). The SET consists of three parts, the mounting frame (with click-system), the innerbox as well as the backpanel. Frame is placed in the wall (special click system allows it to work with walls of 30 and 50 mm thicknesses), it is made out of thick galvanized steel with some stainless steel spring type latches.

Mounting is easy, all you need to do is to cut the hole in the wall (Promat, Silca, SuperIsol, Skamol or others) of the outer size of the frame and put the frame inside, the latches "click" into the walls, securing tight and rigid connection. These latches keep the whole unit inside, no need to use additional devices or glues. Innerbox then is placed into the frame in an easy way, just press it inside, do not worry about scratching the outer surfaces, walls are equipped with special felt that keeps the unit unharmed, allows putting it in and out as well as secures stiff connection. After the innerbox is placed, all you need to do is put the backpanel inside. It can not be much easier, just place it near the back wall (where special holes are prefabricated) and... let go. Neodymium magnets will keep the things together.

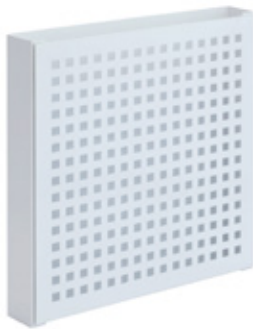


decoration



easy to mount

V-BOX VENT



Ventilation module is placed on the backwall of the V-Box set (there are special screws to which this is connected). Purpose of the module is simple and clear, it works just like a grille on the fireplace wall, here, as it is a part of a coherent system, it does not ruin the whole design concept of the fireplace.

Backwall of the module is blank, so nobody can see thru the holes and see inside the fireplace. What is also important, vent modules have big active cross sections (150 or 225 cm²). Vent modules are available in sizes 35x25 and 35x35.

Mounting of the unit is easy. Just take out the innerbox, take away the backpanel that is in the set and put aside the ventilation plate of the V-Box vent module. Screw the backwall of module to the innerbox and put the whole thing back to the fireplace (to the mounting frame of the SET).

When the unit is placed, put the V-Box vent frontpanel inside (on neodymium magnets, so mounting is more than easy).



air heating



easy to mount

V-BOX LIGHT



Light module is placed on the backwall of the V-Box set (there are special screws to which this is connected). Purpose of it is to give even more design features to the room.

In standard, few LED lights and a white plexiglass front make a great effect of a pure white board (does not show the LED diodes thru the plexi). As LED diodes are used, power consumption is minimal, so you can enjoy the atmosphere with no fear of high electricity bills. Unit is equipped with a transformer, so a standard 230 V 50 Hz connection is enough to work with the V-Box Light.

When this is not enough, why not give more options:

- a dimmer - with this version, the module is equipped with a special electronic unit and remote control to turn on/off, bright up and dim the light when needed.
- a color set - with this version, the module is equipped with electronic unit and remote control to turn on/off, change colors, dim and bright up the light just like you want it to be at this very moment. In this version special RGB diodes are used.

All this made in secure way, using good quality electronic devices, silicone cables and socket, that will withstand high temperatures up to 80°C. Light module is available in size 35x35.

Mounting of the unit is easy. Just take out the innerbox, take away the backpanel that is in the set and put aside the plexi of the V-Box Light module. Screw the backwall of module to the innerbox and put the whole thing back to the fireplace (to the mounting frame of the SET). Connect the unit to the 230 V AC socket. When the unit is placed, put the V-Box Light frontpanel inside (on neodymium magnets, so mounting is more than easy).

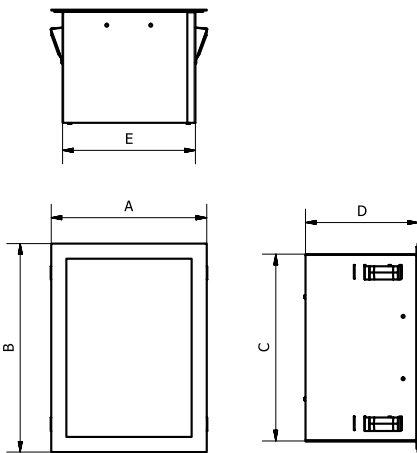


decoration



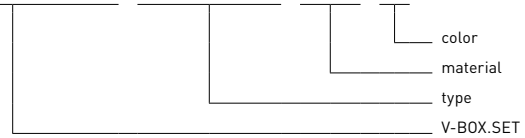
easy to mount

V-BOX SET



Denotations / product codes

V-BOX.SET - ...x...x...-ML.B

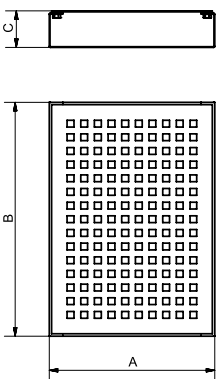
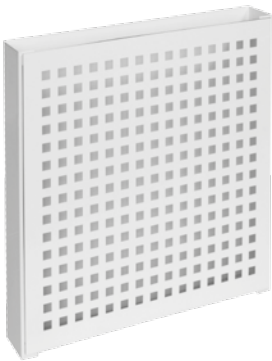


Caution! Set includes: mounting frame, inner box and backpanel.

Destination	U	U - decoration	Color	
Material	ML	ML- mild steel sheet powder coated	B	white

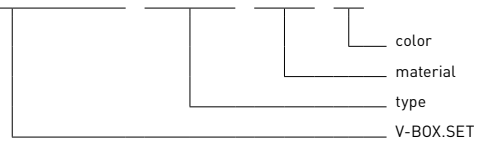
Type	Dimensions [mm]					Weight [kg]
	A	B	C	D	E	
25x35x25	292.5	392.5	250	213	350	6.1
35x35x25	392.5	392.5	350	213	350	7.3
35x70x25	742.4	392.5	350	213	700	11.3
35x70x40	742.5	392.5	350	403	700	18.4

V-BOX VENTILATION MODULE



Denotations / product codes

V-BOX.VENT - ...x...-ML.B

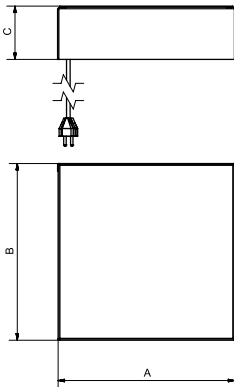
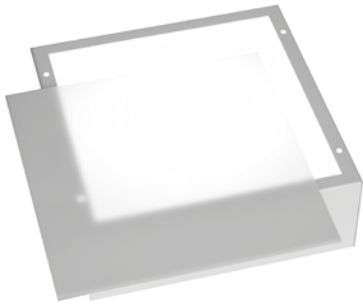


Caution! V-Box ventilation module shall be connected with the V-Box Set of proper type.

Destination	O	O - air heating	Color	
Material	ML	ML- mild steel sheet powder coated	B	white

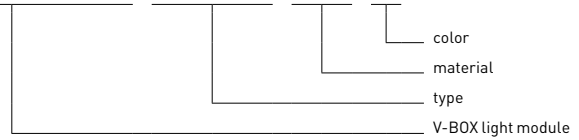
Type	Dimensions [mm]			Cross-section [cm ²]	Weight [kg]
	A	B	C		
25x35	242,5	342,5	54	150	1.9
35x35	342,5	342,5	54	225	2.4

V-BOX LIGHT MODULE



Denotations / product codes

V-BOX.LIGHT - 35x35 -ML . x



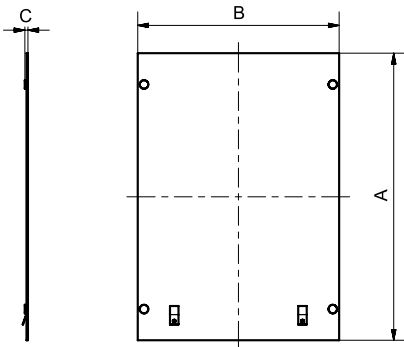
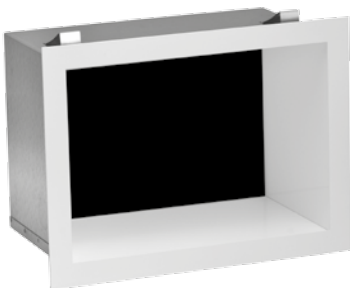
Max working temperature 80°C
 Power supply: 230 V AC / 50 Hz
 Power consumption: 15 W

V-Box light module shall be connected with the V-Box set of proper type

Destination	U	U - decoration	Versions	
Material	ML	ML- mild steel sheet powder coated	B	white colour LED light
			DIM	white colour LED light with dimmer (with remote control)
			COLOUR	RGB LED lights with colour changing unit (with remote control)

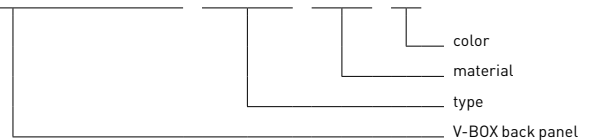
Type	Dimensions [mm]			Weight [kg]
	A	B	C	
35x35	342.5	342.5	103.5	3.3

V-BOX BACK PANEL



Denotations / product codes

V-BOX.BACKPANEL- .../... -ML . a

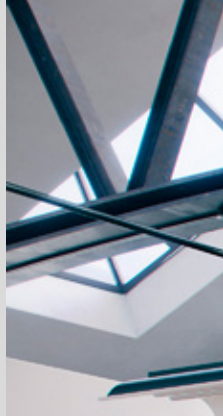


Caution! V-Box back panel shall be connected with the V-Box of proper type.

Destination	U	U - decoration	Color*	
Material	ML	ML- mild steel sheet powder coated	B	white
			CZ	black

*other colors upon request

Type	Dimensions [mm]			Weight [kg]
	A	B	C	
35x25	235,5	335,5	3,5	0.7
35x35	335,5	335,5	3,5	0.9
35x70	685,5	335,5	3,5	1.8



www.ventlab.de



2017.05.01

