
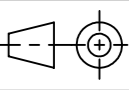

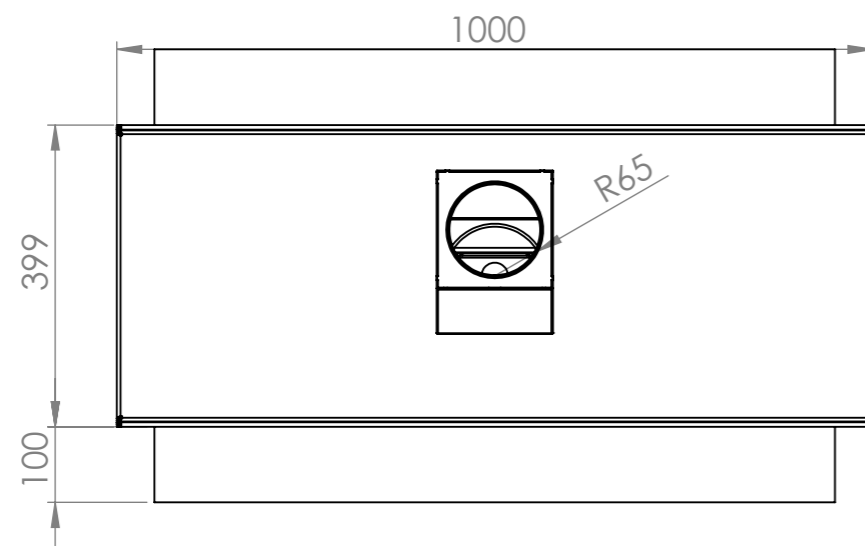
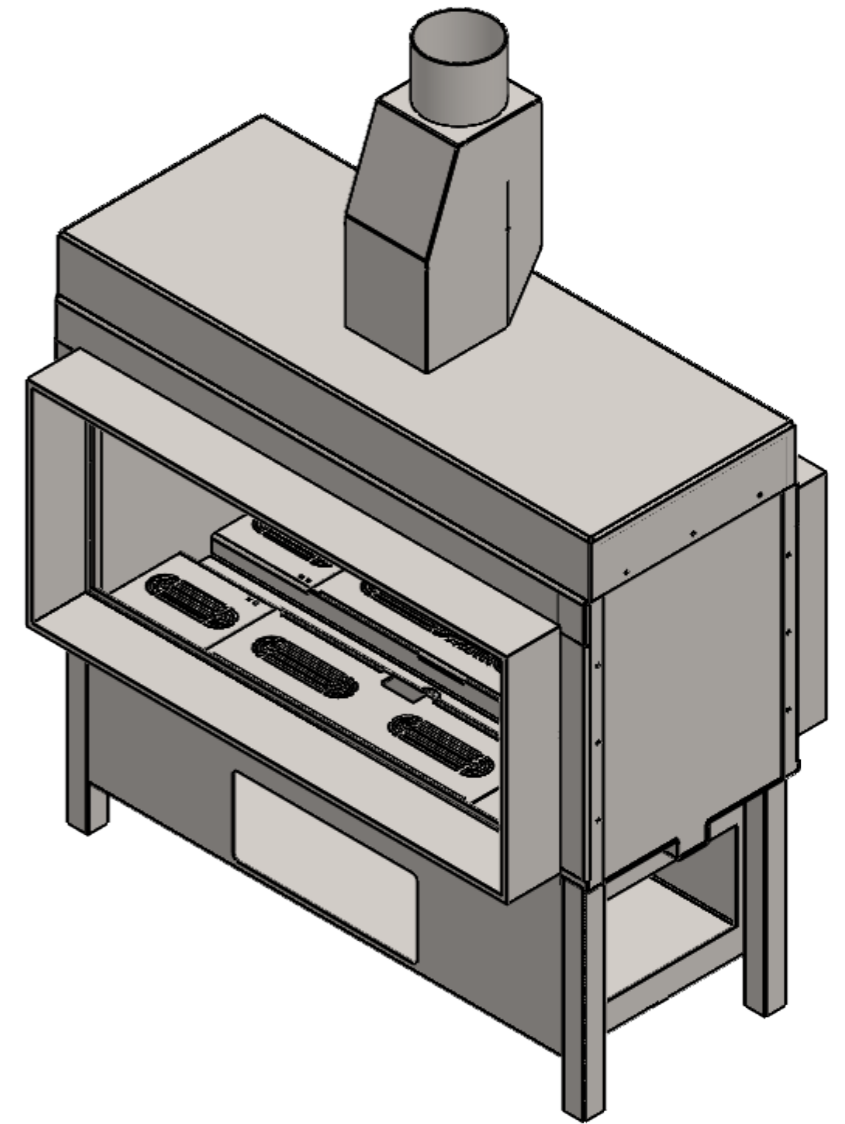
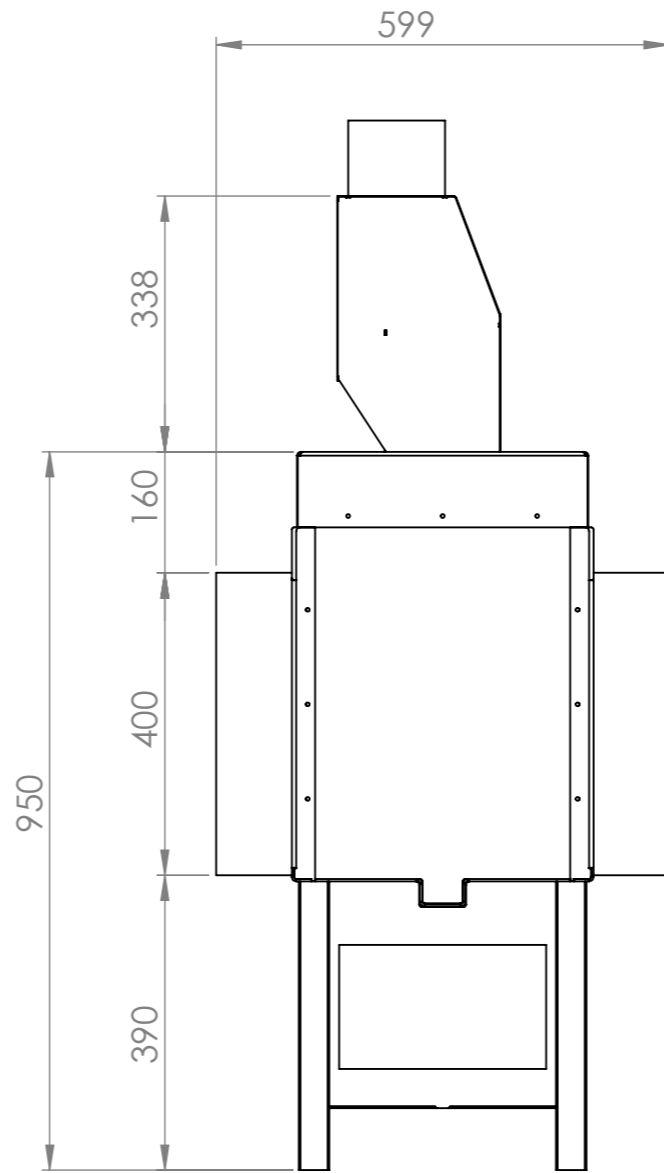
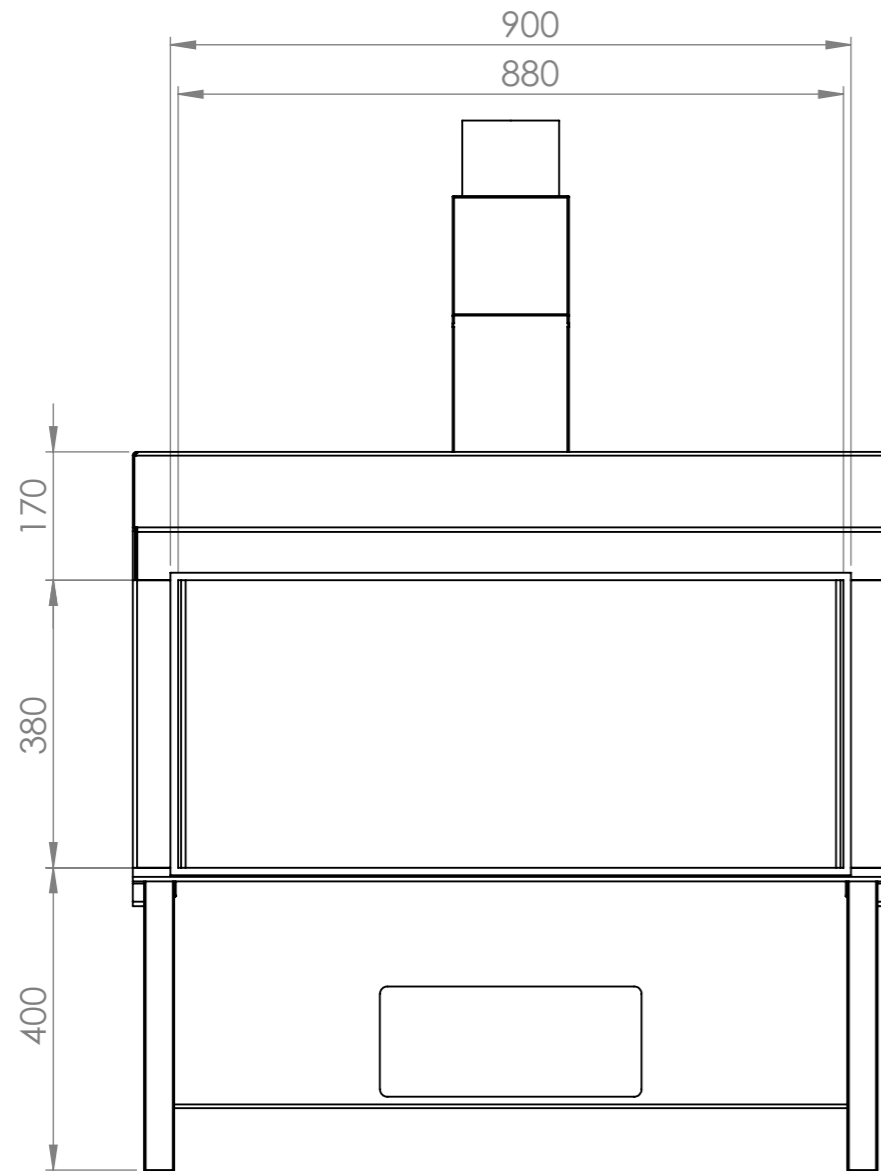

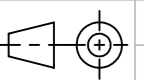
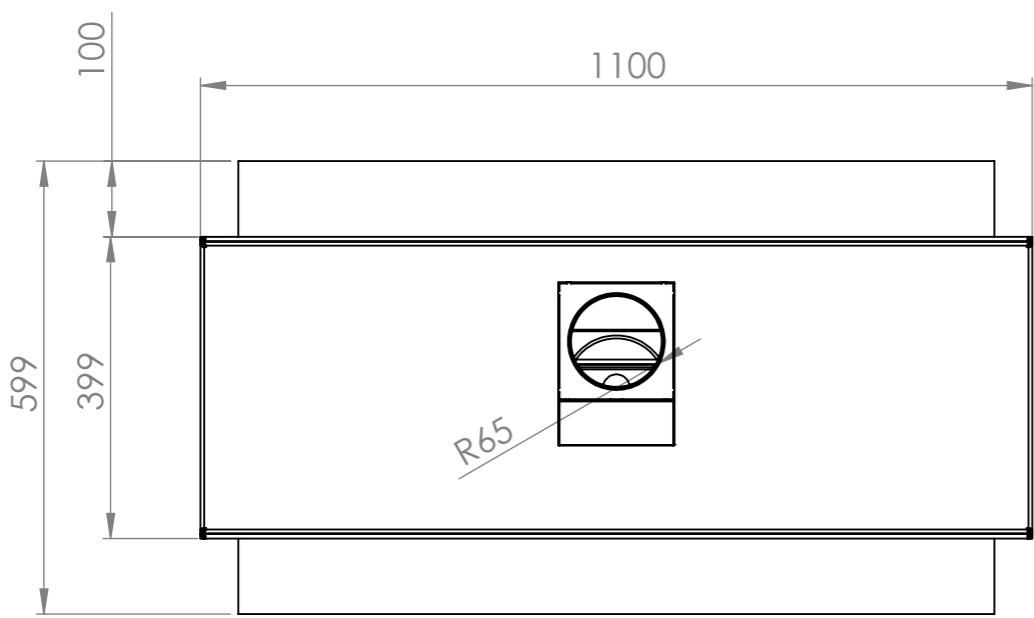
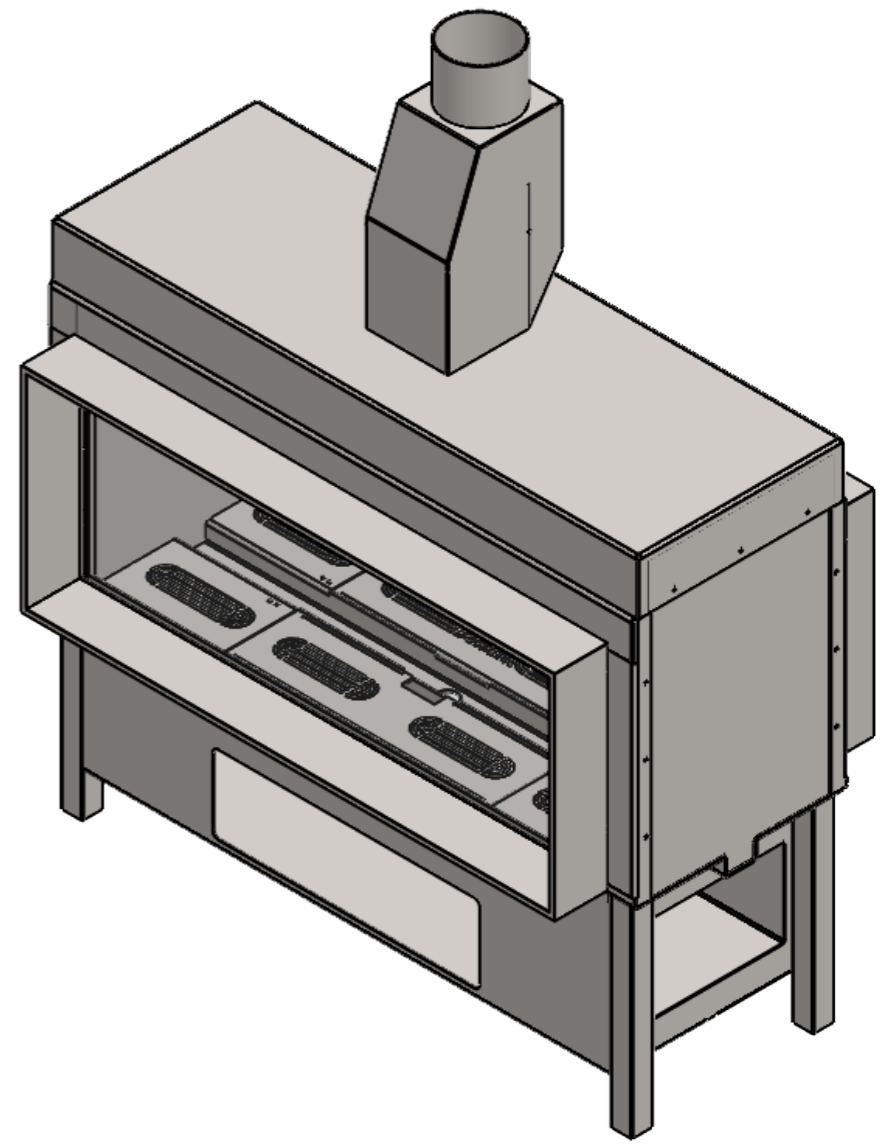
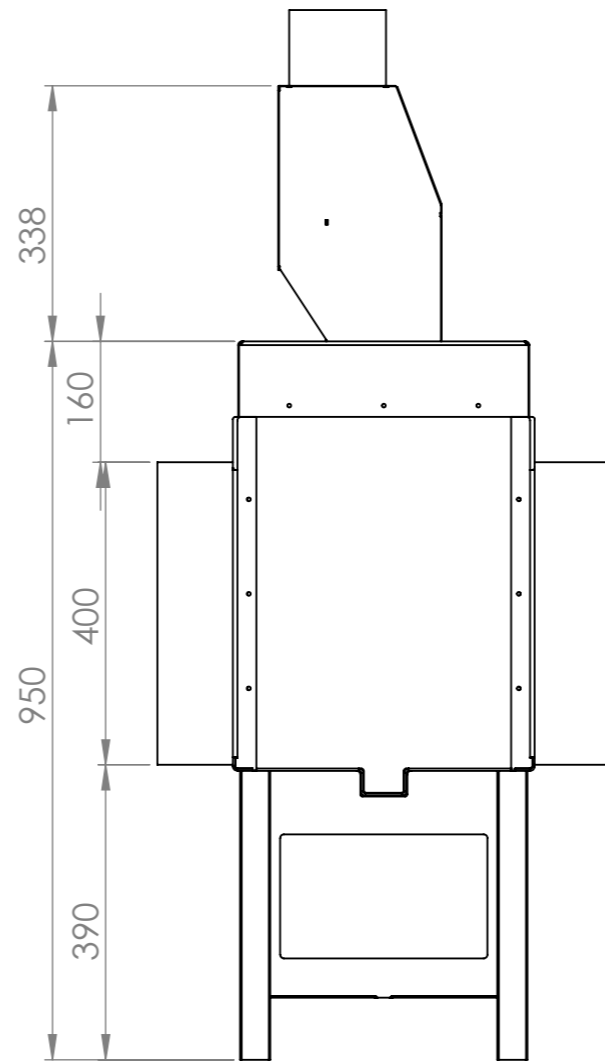
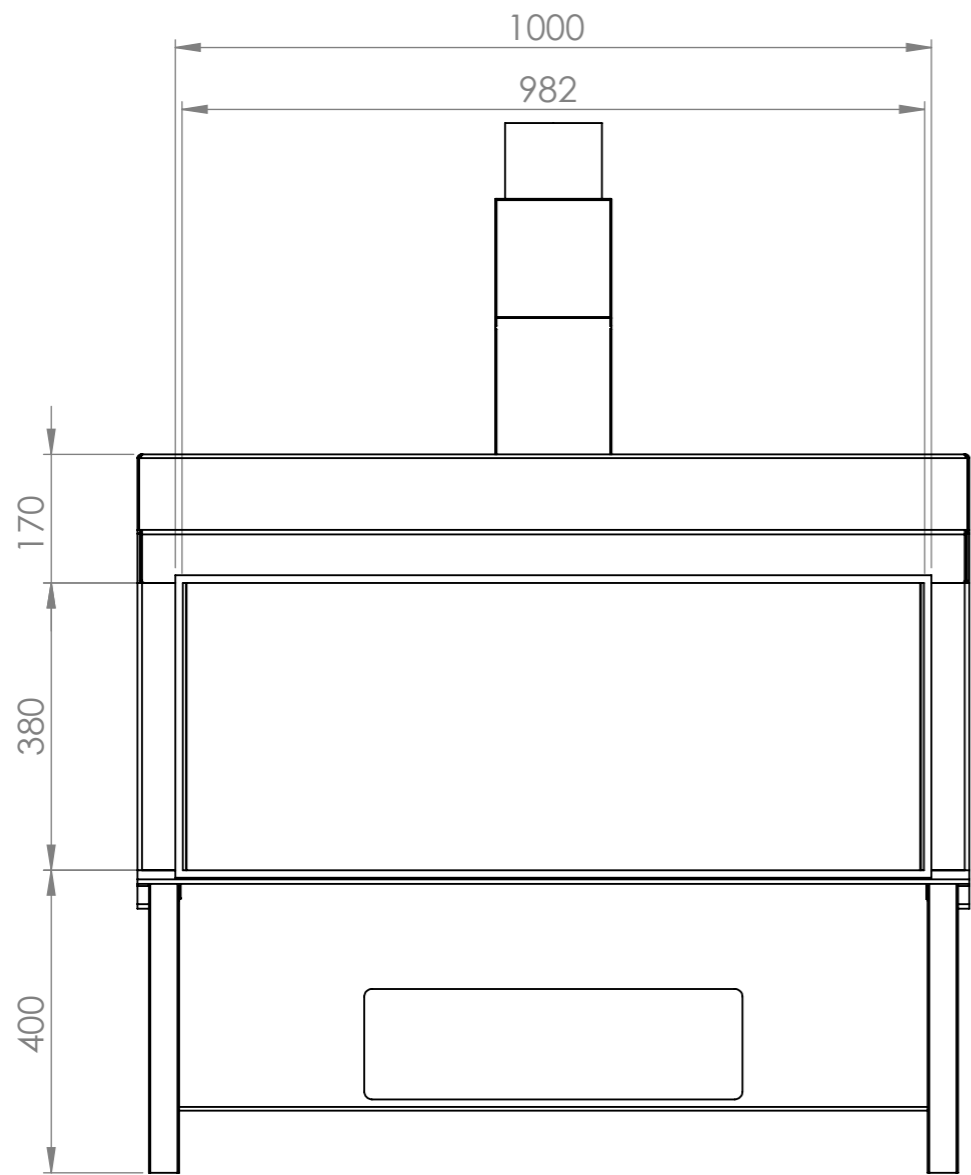

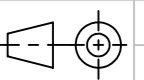


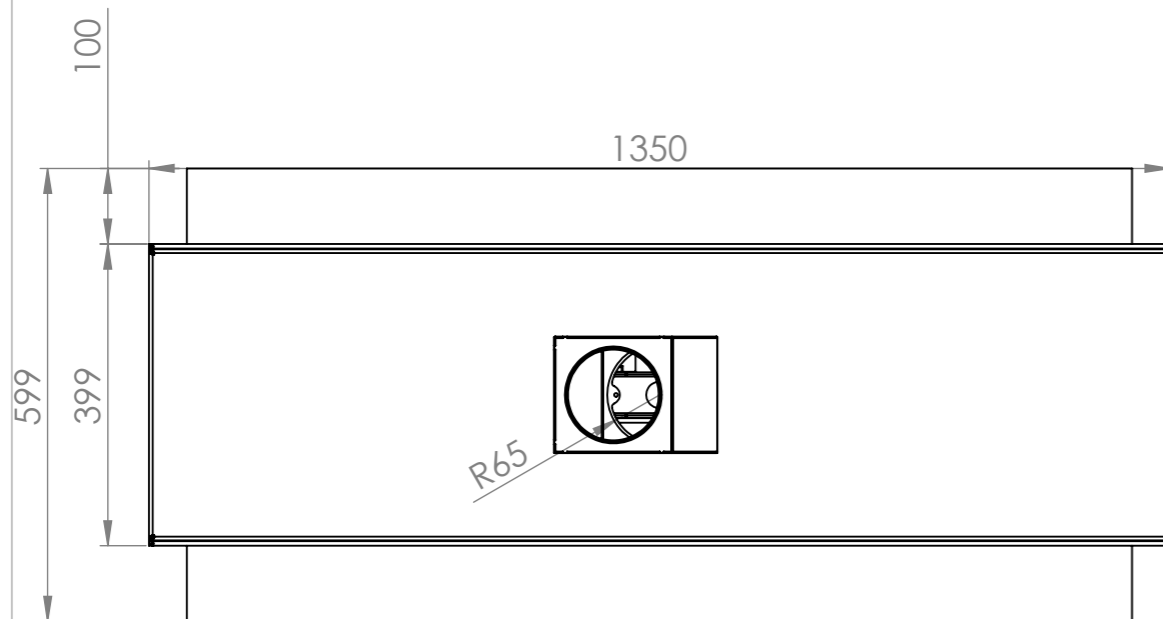
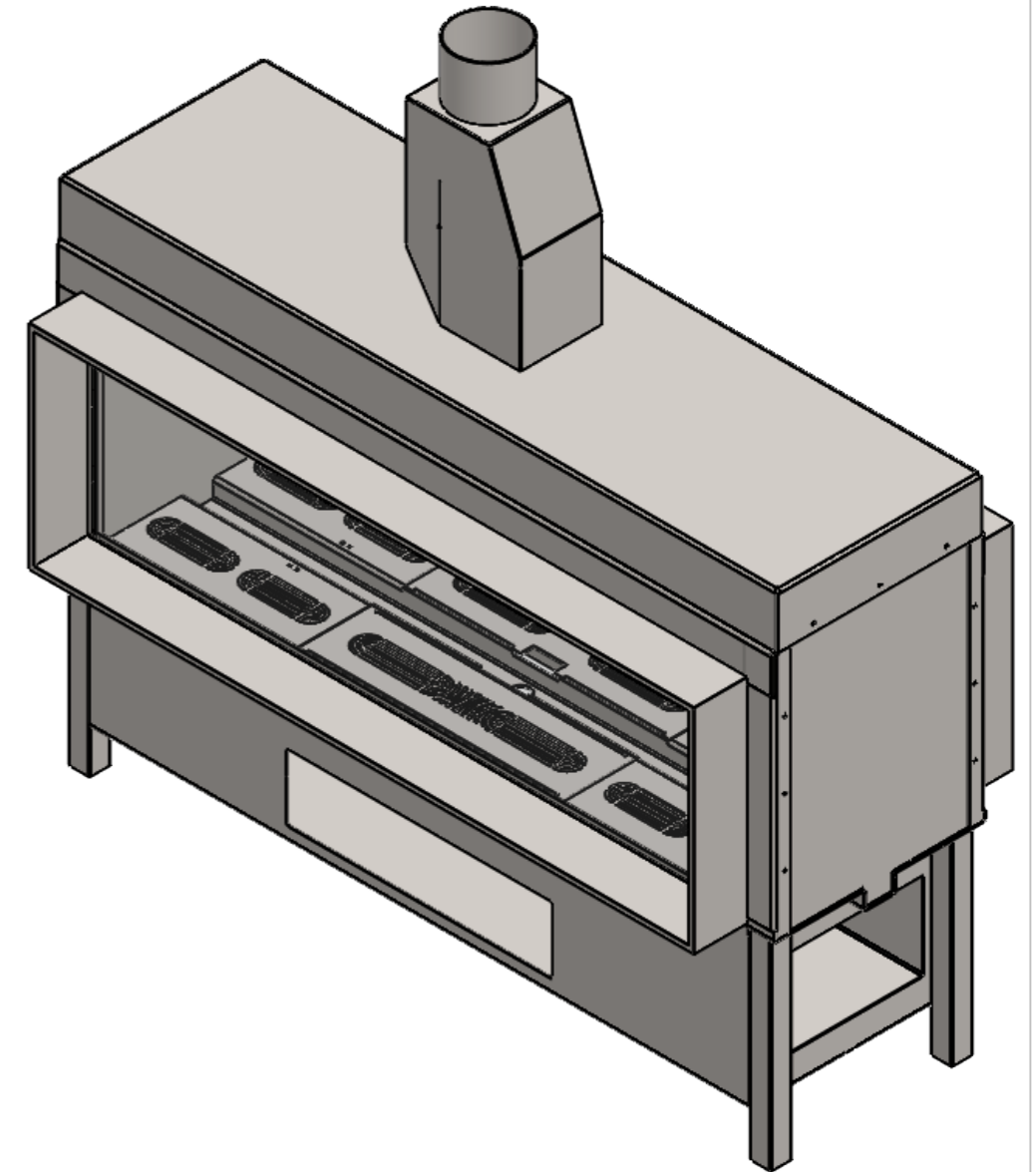
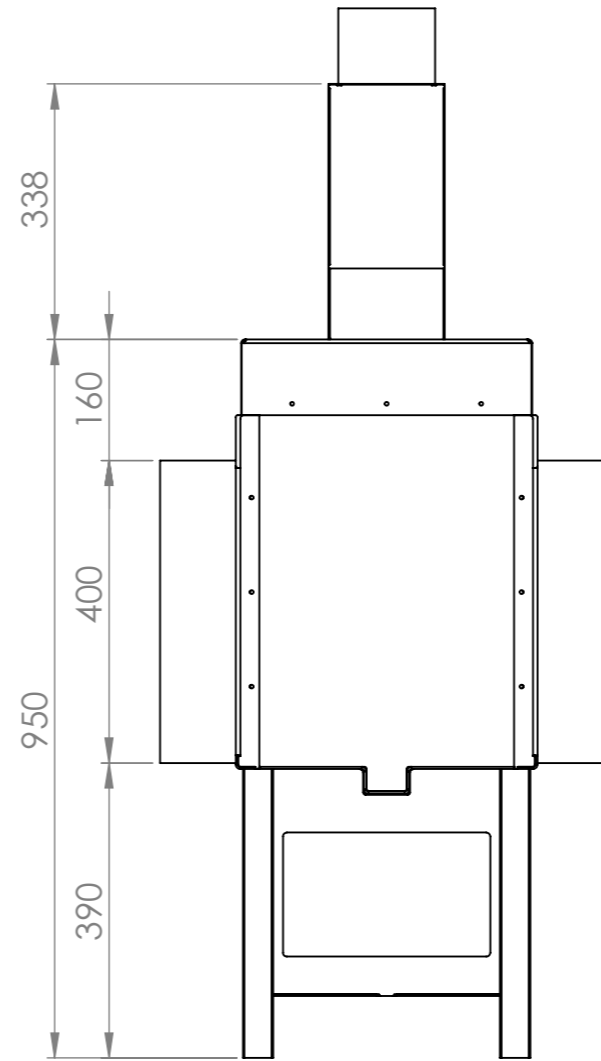
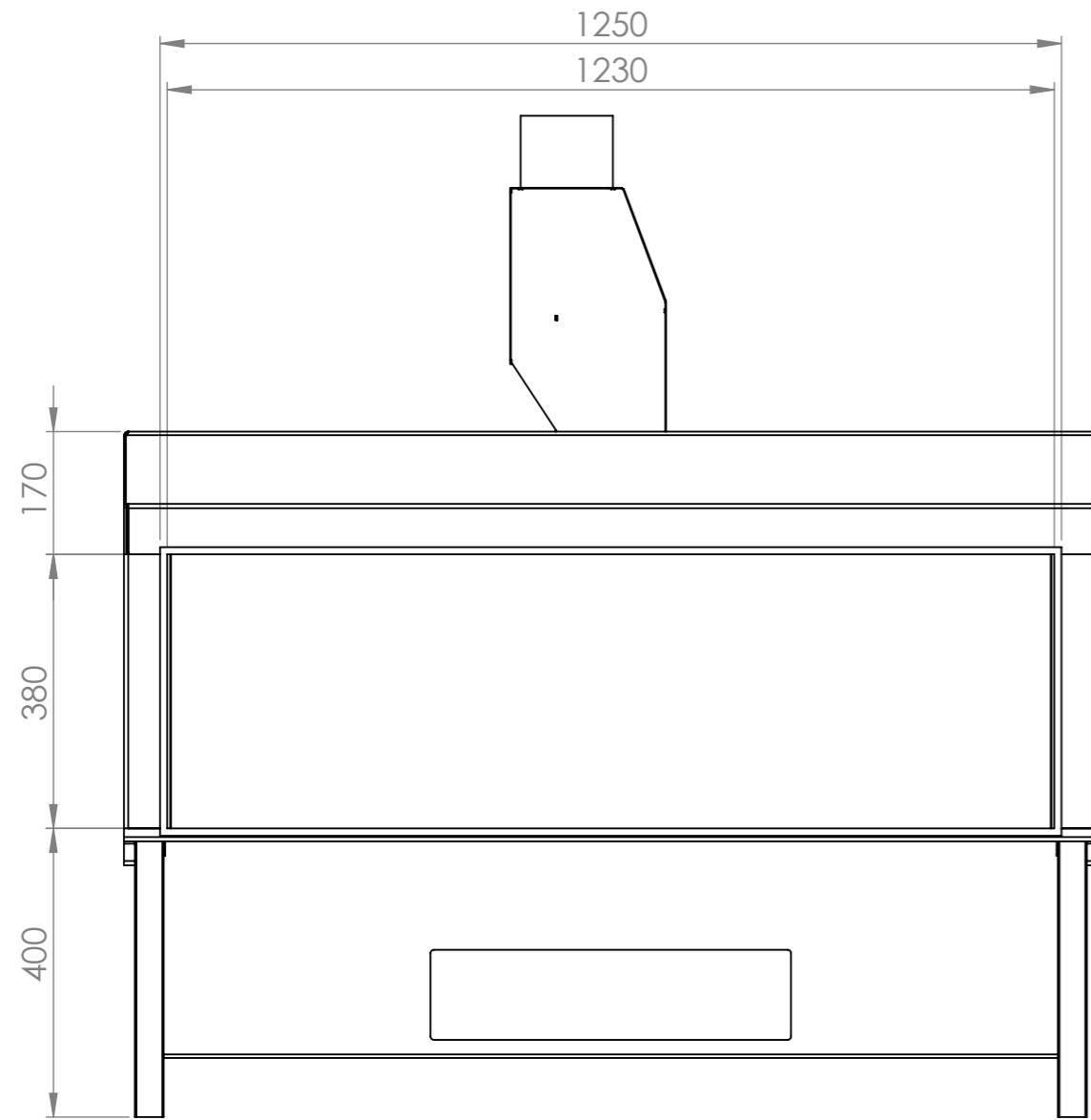
CLIENT				PROJECT Gala 1D Tunnel Schouw 130 - SLF100 Lijnbrander		ALL RIGHTS RESERVED AND COPYRIGHTS BY	
				PART NUMBER GA1D-B11-SLF		 <b>Vero Design</b> Zagerijstraat 23 B-2960 Sint-Job	
DRAWN	NAME	DATE 26/07/2019	SIGN	MATERIAL:	UNLESS OTHERWISE SPECIFIED: DIMENSIONS ARE IN MILLIMETERS TOLERANCES: ISO 2768 m K		DEBURR AND BREAK SHARP EDGES
CHK'D				WEIGHT:			
APPV'D				FINISH:			 <b>A3</b> SCALE:1:10
						DO NOT SCALE DRAWING	SHEET 1 OF 1


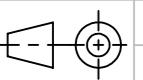


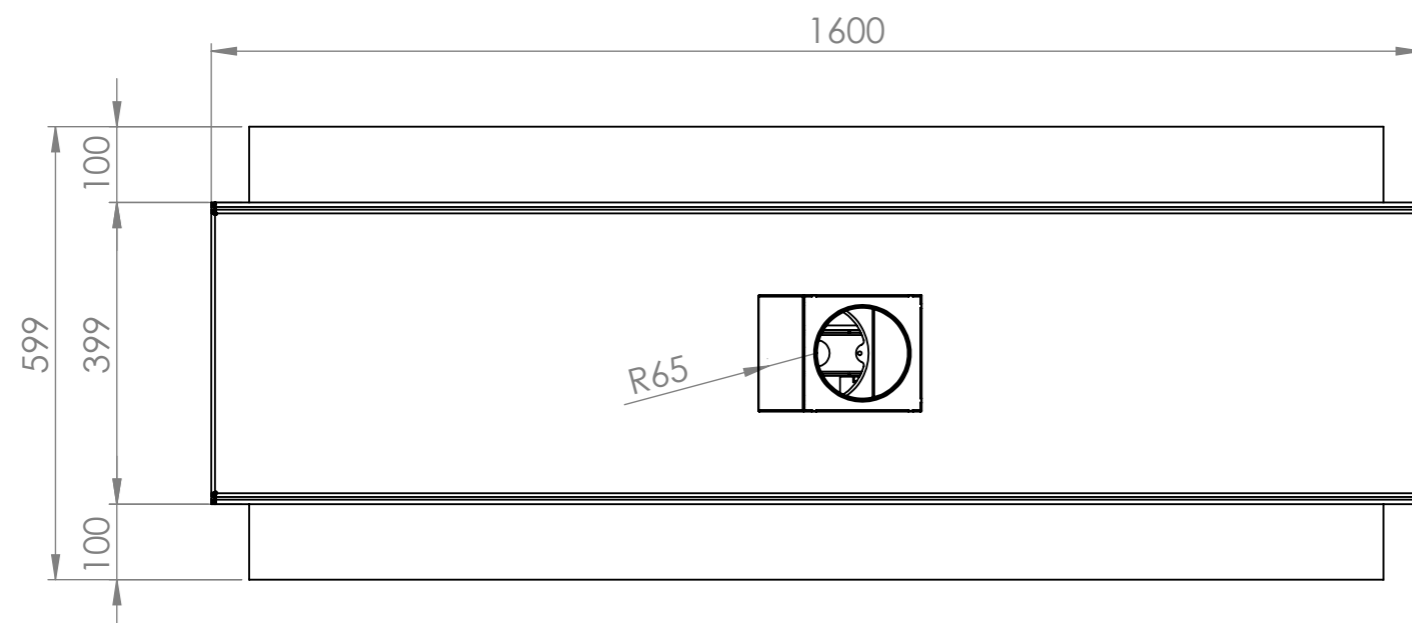
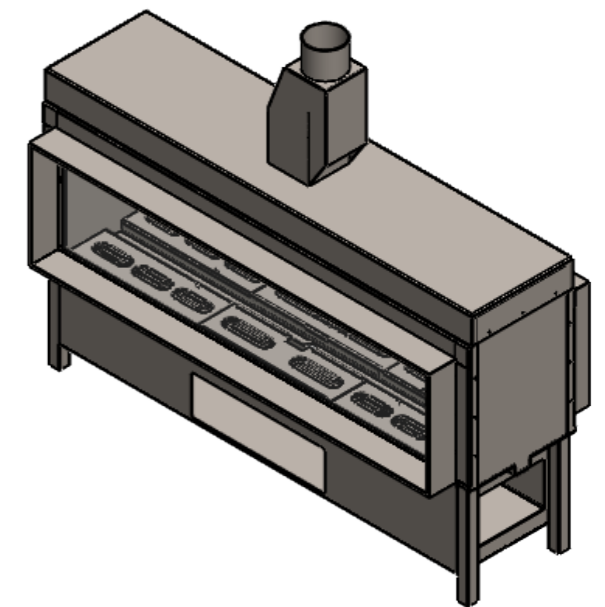
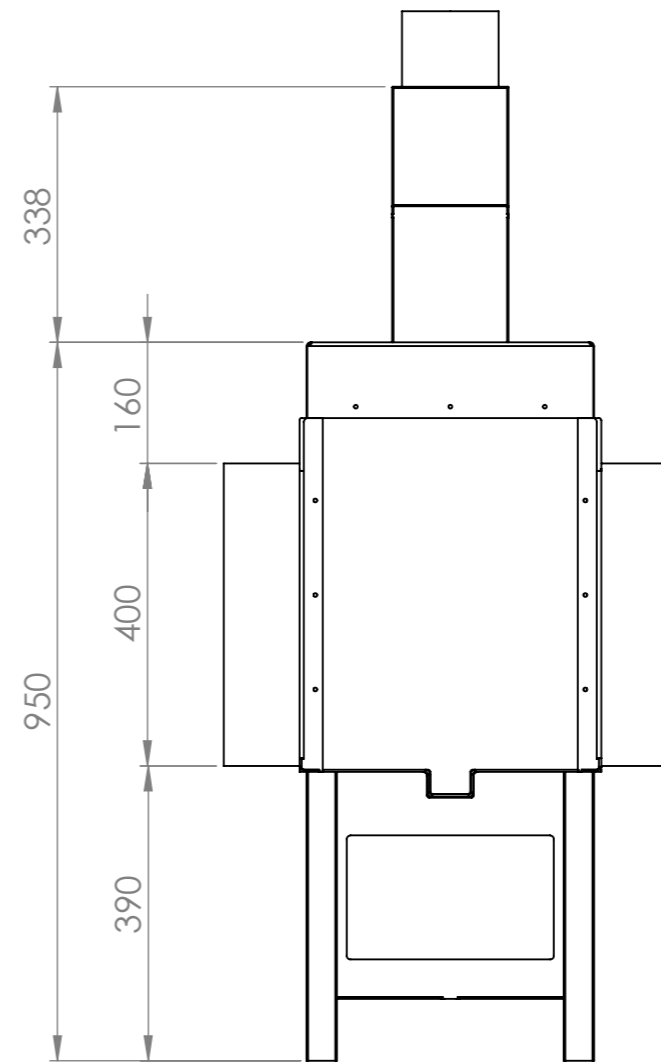
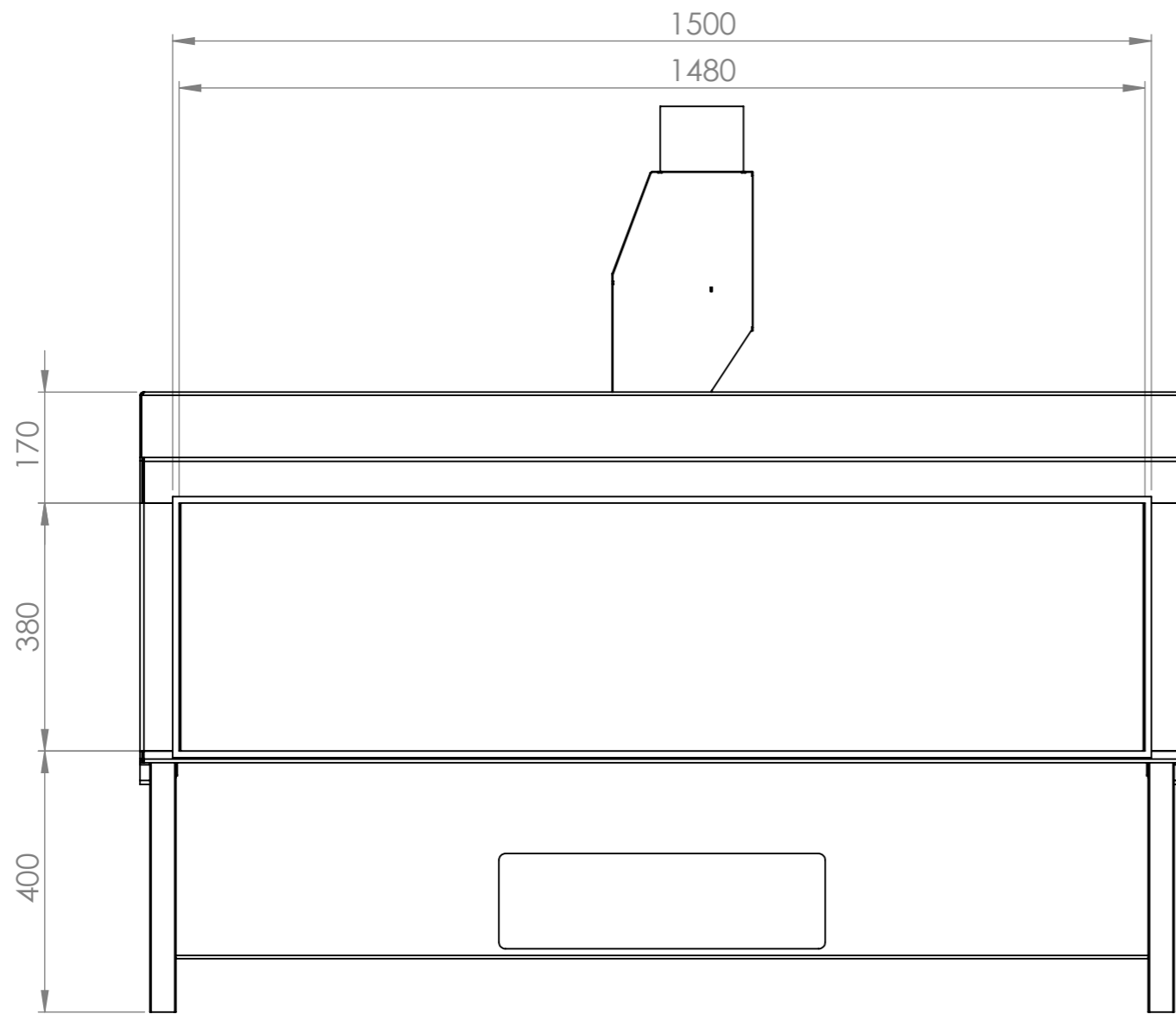
CLIENT				PROJECT Gala 2 D Tunnel B11 Schouw 130 - SLF100 Lijnbrander		ALL RIGHTS RESERVED AND COPYRIGHTS BY	
				PART NUMBER GA2D-B11-SLF		 <b>Vero Design</b> Zagerijstraat 23 B-2960 Sint-Job	
DRAWN	NAME	DATE 26/07/2019	SIGN	MATERIAL:	UNLESS OTHERWISE SPECIFIED: DIMENSIONS ARE IN MILLIMETERS TOLERANCES: ISO 2768 m K		DEBURR AND BREAK SHARP EDGES
CHK'D			WEIGHT:				
APPV'D			FINISH:				
						 <b>A3</b> SCALE: 1:10 DO NOT SCALE DRAWING    SHEET 1 OF 1	


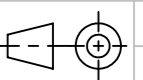


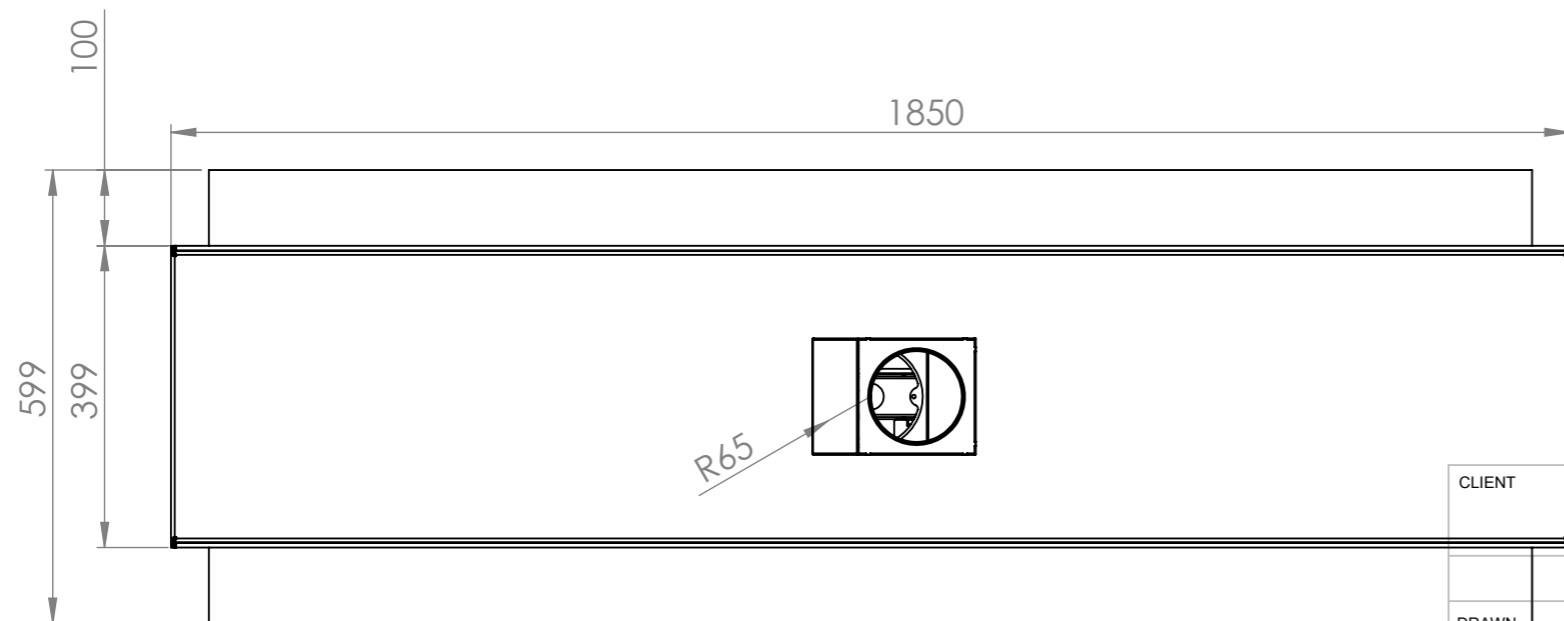
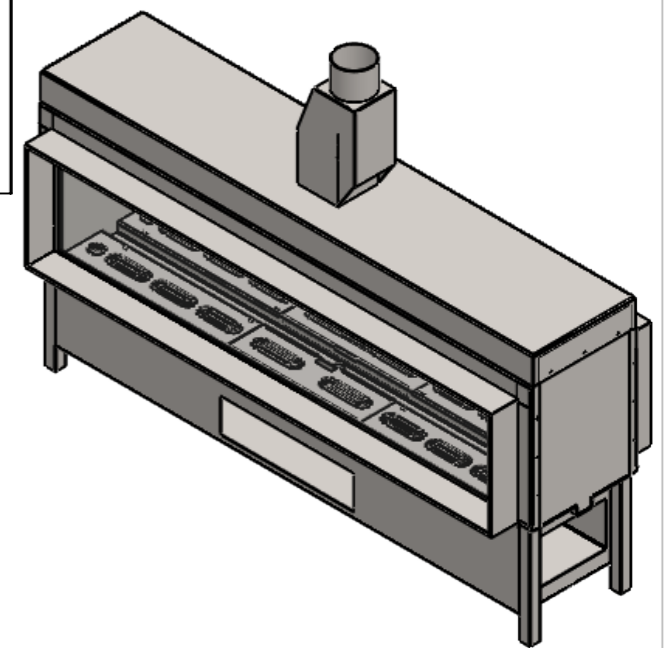
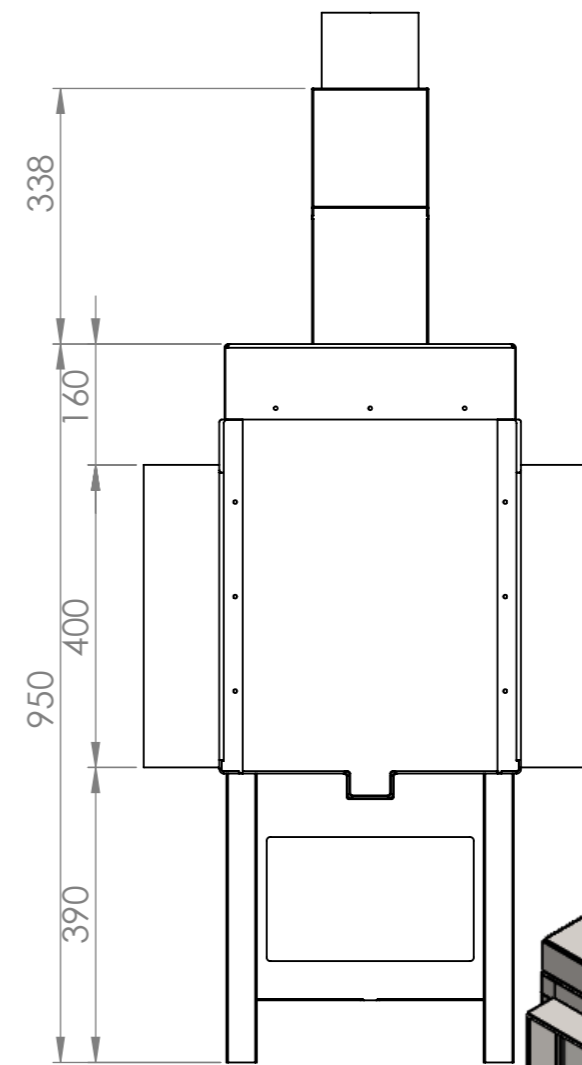
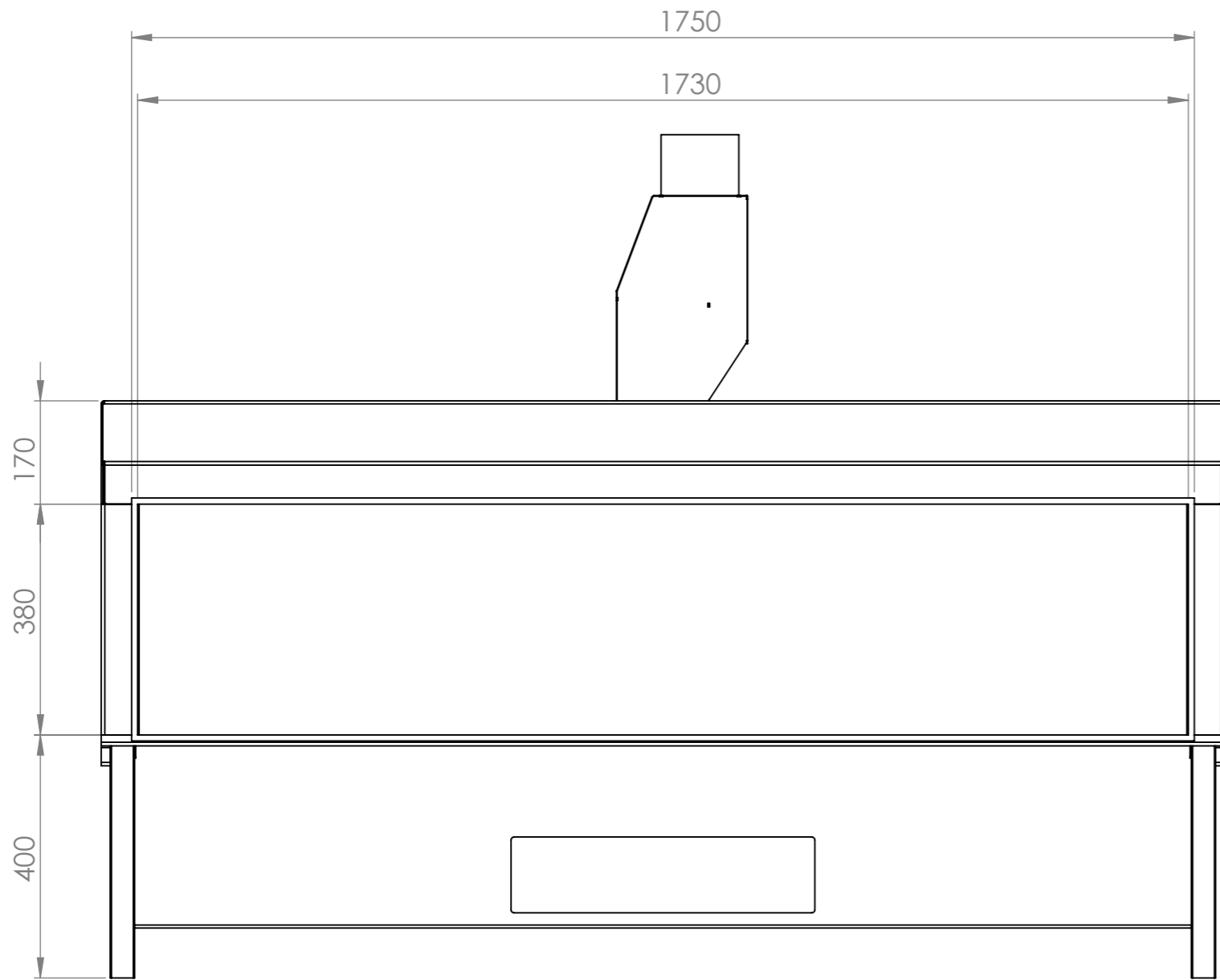
CLIENT				PROJECT Gala 3 Tunnel B11 130 - Slim frame 100/10 Line burner		ALL RIGHTS RESERVED AND COPYRIGHTS BY	
				PART NUMBER GA3D-B11-SLF		 <b>Vero Design</b> Zagerijstraat 23 B-2960 Sint-Job	
DRAWN	NAME	DATE 16/09/2019	SIGN	MATERIAL:	UNLESS OTHERWISE SPECIFIED: DIMENSIONS ARE IN MILLIMETERS TOLERANCES: ISO 2768 m K		DEBURR AND BREAK SHARP EDGES
CHK'D			WEIGHT:				<b>A3</b>
APPV'D			FINISH:	DO NOT SCALE DRAWING			SCALE:1:10
						SHEET 1 OF 1	



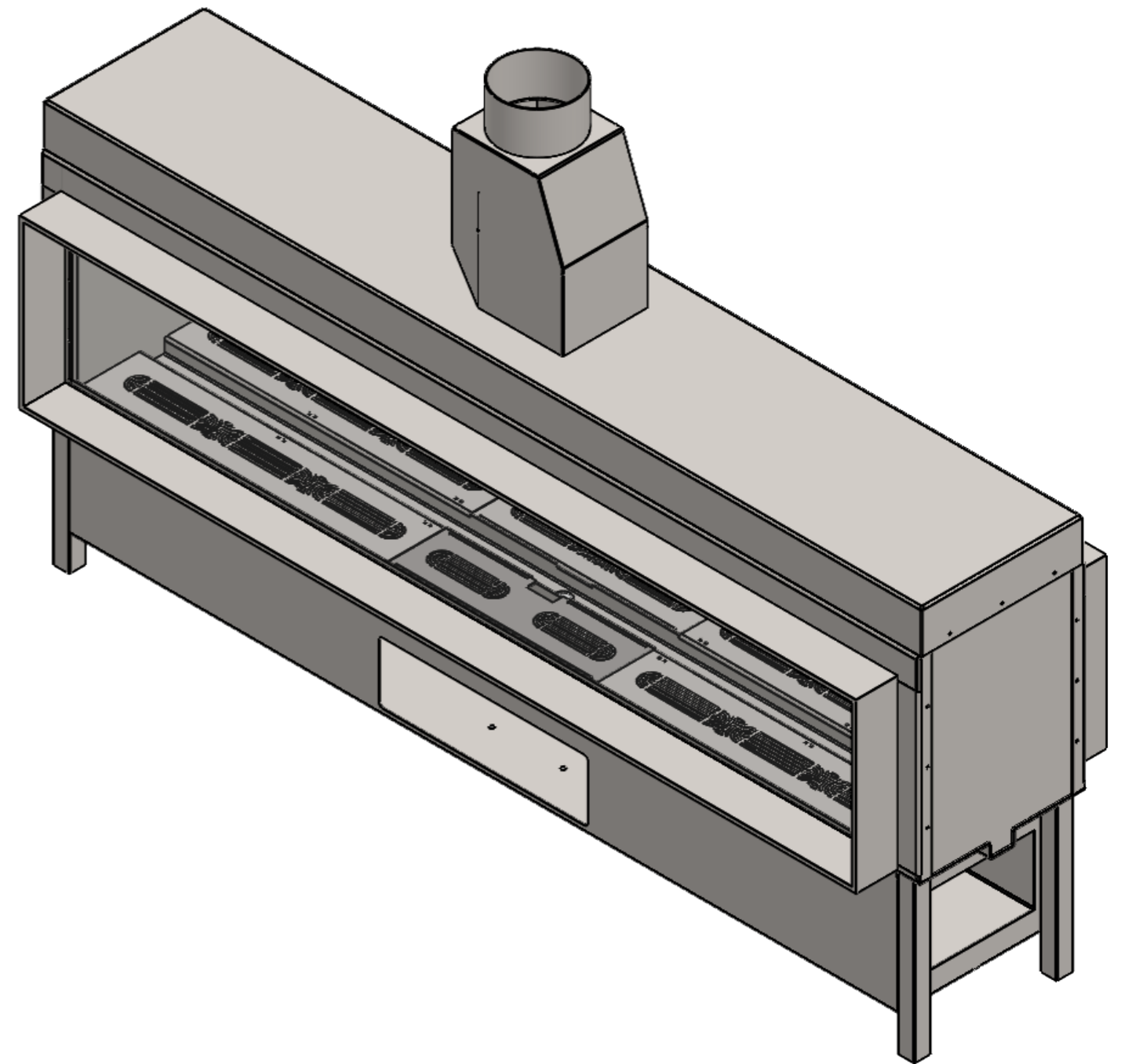
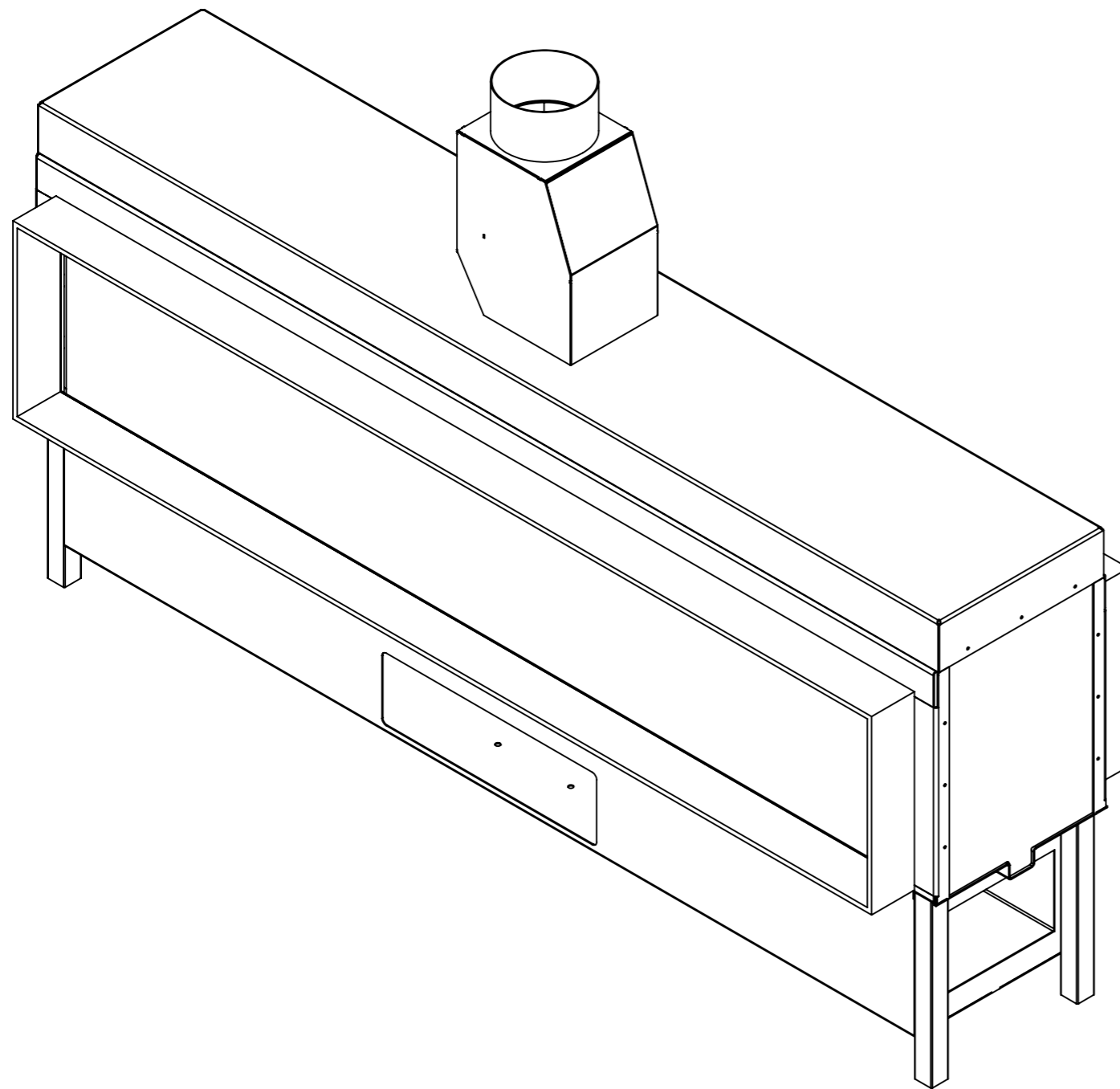
CLIENT				PROJECT <b>Gala 4 Tunnel</b> <b>B11 130 - Slim frame 100/10</b> <b>Line burner</b>		ALL RIGHTS RESERVED AND COPYRIGHTS BY			
				PART NUMBER GA4D-B11-SLF		 <b>Vero Design</b> Zagerijstraat 23 B-2960 Sint-Job			
DRAWN	NAME	DATE 16/09/2019	SIGN	MATERIAL:	UNLESS OTHERWISE SPECIFIED: DIMENSIONS ARE IN MILLIMETERS TOLERANCES: ISO 2768 m K		DEBURR AND BREAK SHARP EDGES		<b>A3</b> SCALE:1:10
CHK'D				WEIGHT:					
APPV'D				FINISH:	DO NOT SCALE DRAWING		SHEET 1 OF 1		


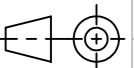


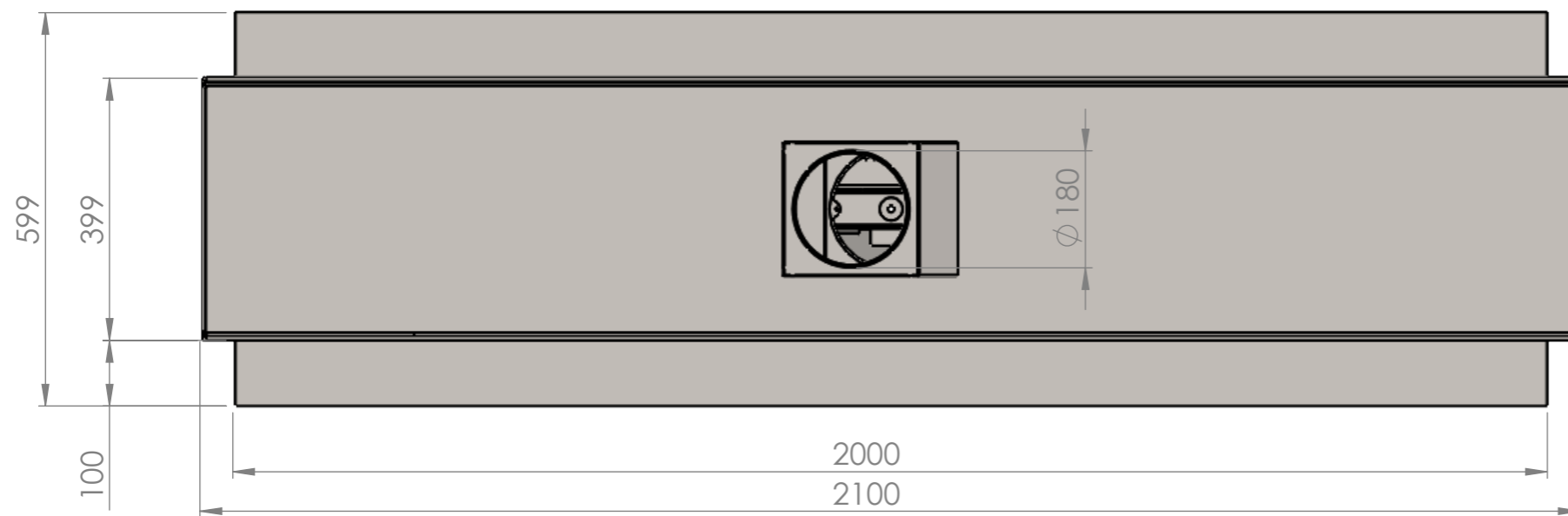
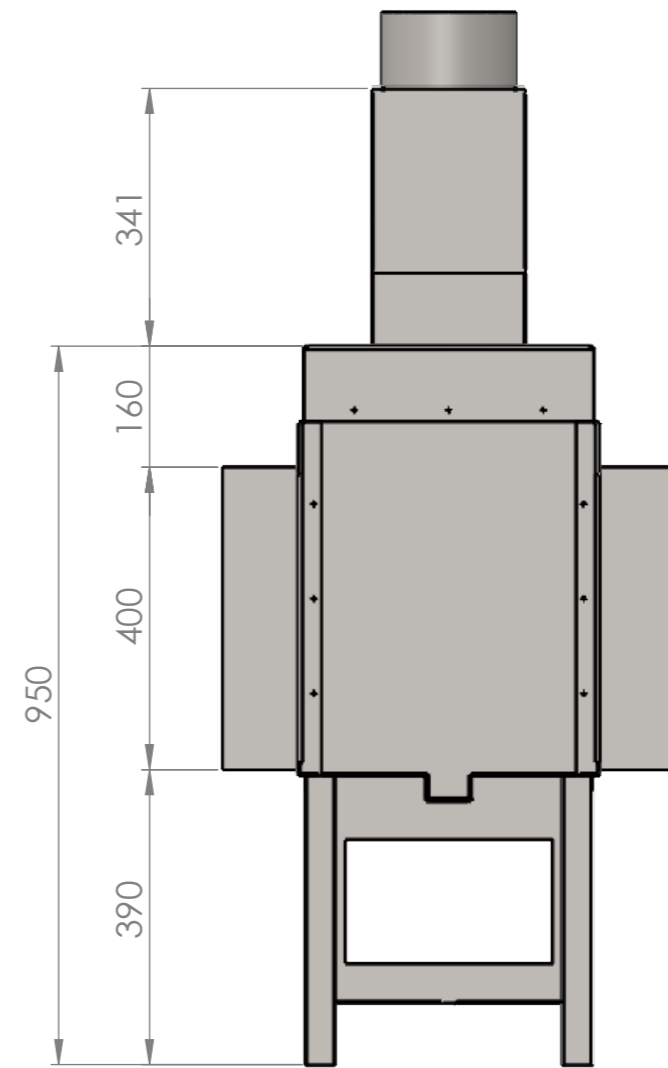
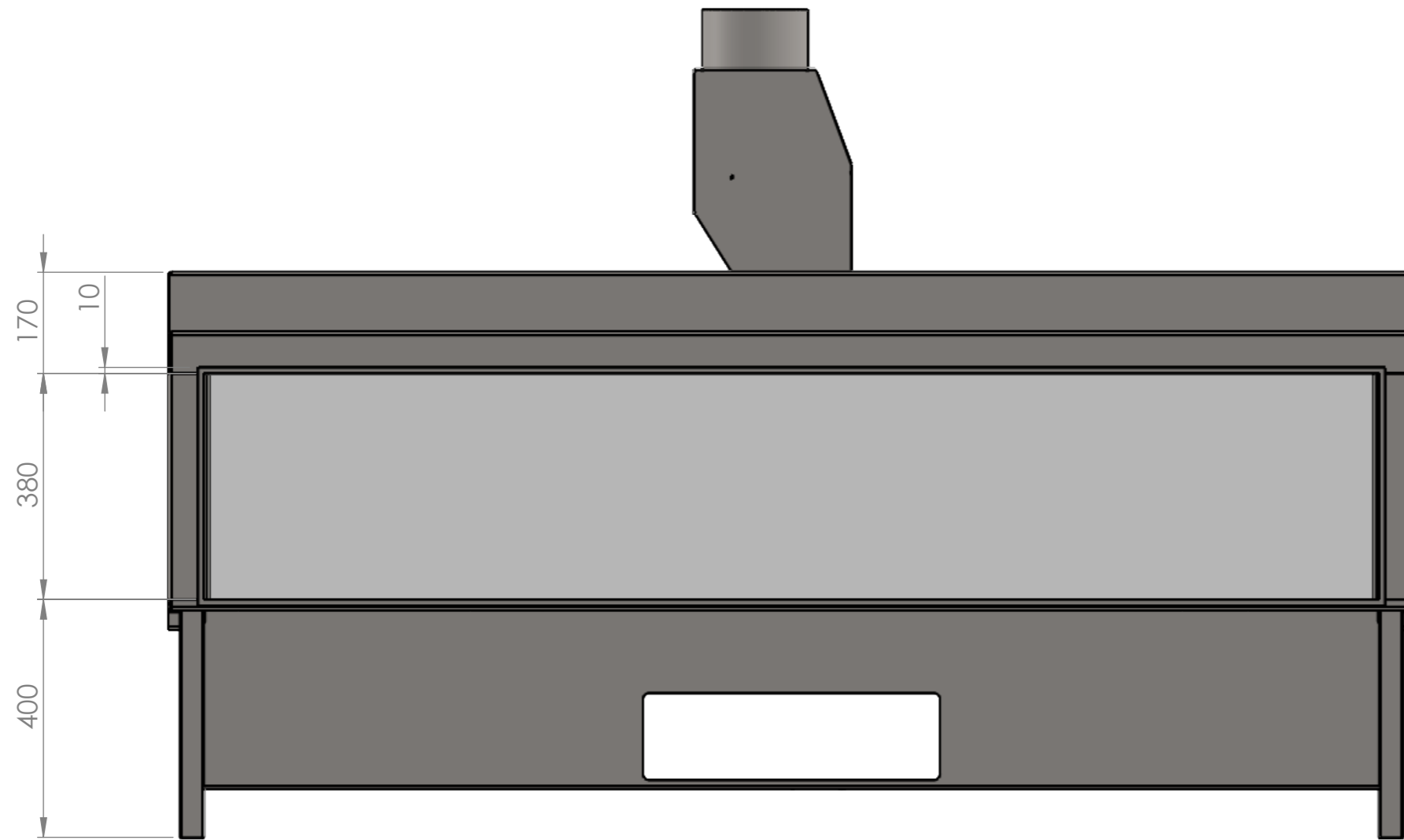
CLIENT				PROJECT Gala 5 Tunnel B11 130 - Slim Frame 100/10 Line burner		ALL RIGHTS RESERVED AND COPYRIGHTS BY	
				PART NUMBER GA5D-B11-SLF		 <b>Vero Design</b> Zagerijstraat 23 B-2960 Sint-Job	
DRAWN	NAME	DATE 9/09/2019	SIGN	MATERIAL:	UNLESS OTHERWISE SPECIFIED: DIMENSIONS ARE IN MILLIMETERS TOLERANCES: ISO 2768 m K		DEBURR AND BREAK SHARP EDGES
CHK'D				WEIGHT:			
APPV'D				FINISH:			<b>A3</b> SCALE: 1:10 DO NOT SCALE DRAWING SHEET 1 OF 1


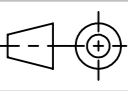


CLIENT			PROJECT Gala 6 Tunnel B11 130 - Slim frame 100/10 Line burner		ALL RIGHTS RESERVED AND COPYRIGHTS BY <b>VERO DESIGN</b> Vero Design Zagerijstraat 23 B-2960 Sint-Job	
DRAWN	NAME	DATE	SIGN	PART NUMBER GA6D-B11-SLF		UNLESS OTHERWISE SPECIFIED: DIMENSIONS ARE IN MILLIMETERS TOLERANCES: ISO 2768 m K
CHK'D		16/09/2019		MATERIAL:	DEBURR AND BREAK SHARP EDGES	
APPV'D				WEIGHT:		
				FINISH:		A3 SCALE: 1:10
					DO NOT SCALE DRAWING	SHEET 1 OF 1

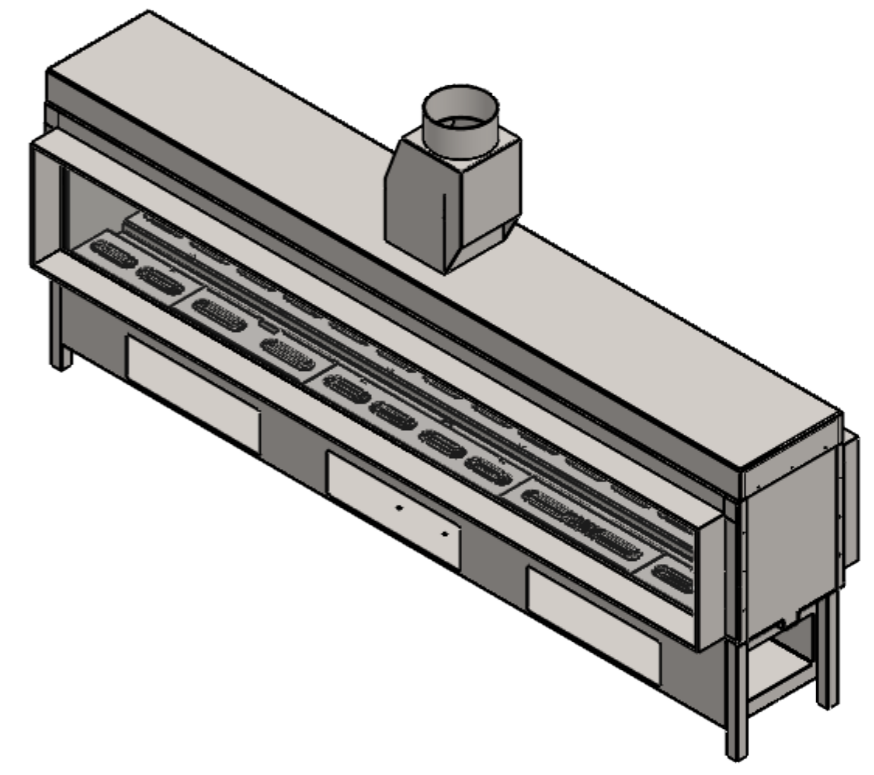
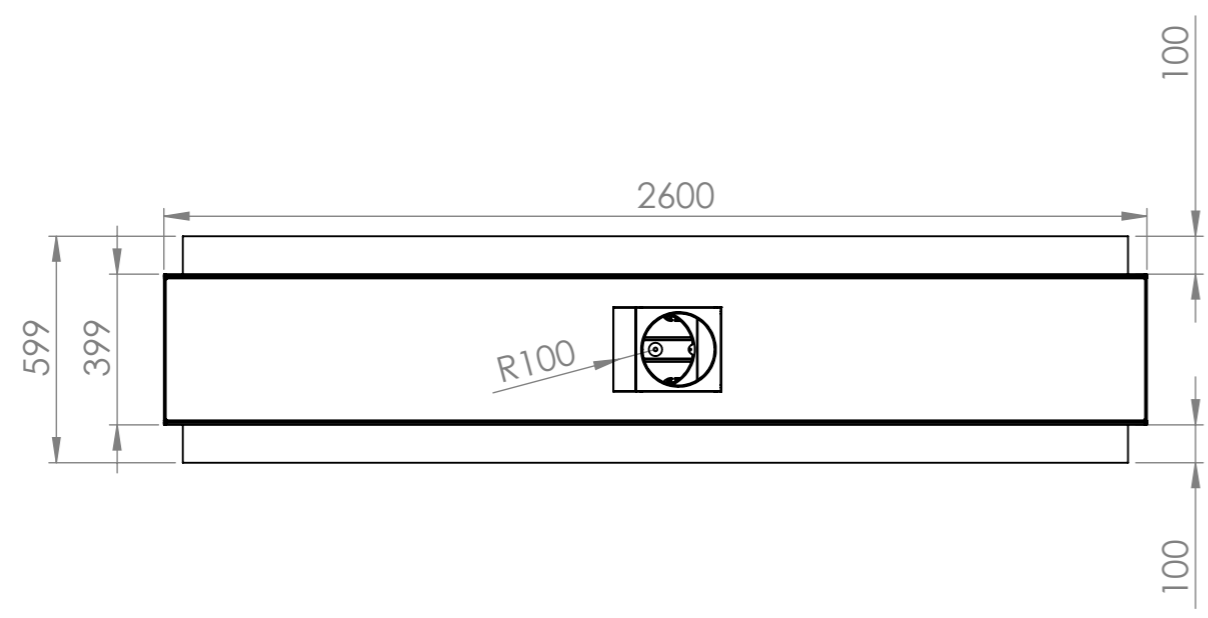
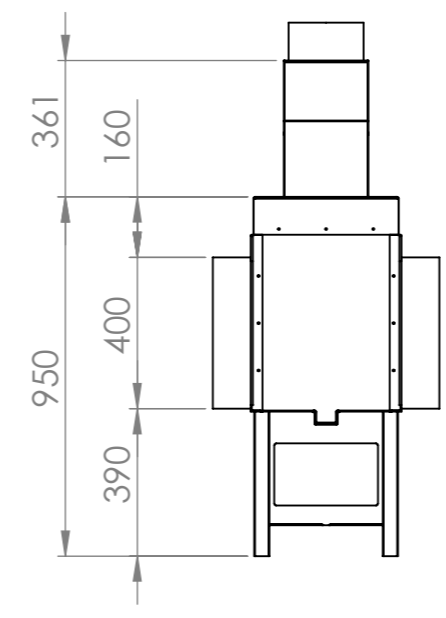
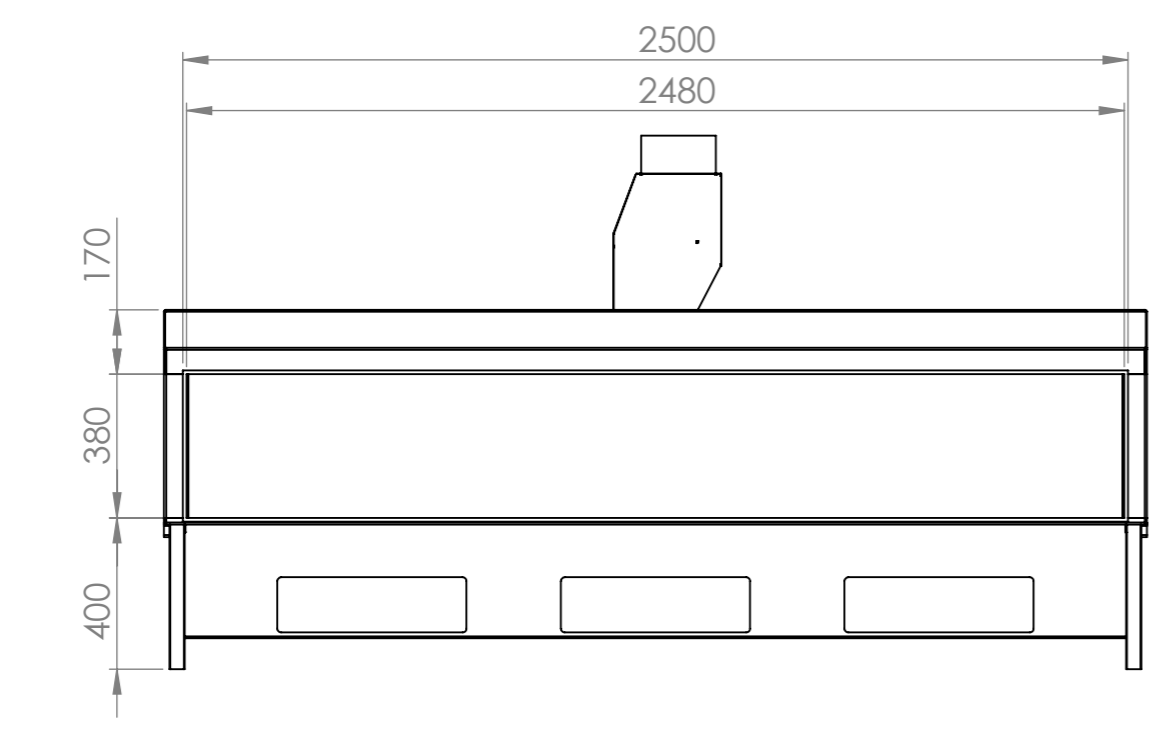



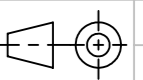
CLIENT				PROJECT GALA 7D - Front model Slim frame 100/10 - Line Burner B11 - 180		ALL RIGHTS RESERVED AND COPYRIGHTS BY	
				PART NUMBER GA7D-SLF100-B11-CONV		 <b>Vero Design</b> Zagerijstraat 23 B-2960 Sint-Job	
DRAWN	NAME	DATE 23/01/2019	SIGN	MATERIAL:	UNLESS OTHERWISE SPECIFIED: DIMENSIONS ARE IN MILLIMETERS TOLERANCES: ISO 2768 m K	DEBURR AND BREAK SHARP EDGES	 <b>A3</b> SCALE:1:10
CHK'D			WEIGHT:				
APPV'D			FINISH:				
						DO NOT SCALE DRAWING	SHEET 1 OF 2



CLIENT				PROJECT GALA 7D - Front model Slim frame 100/10 - Line Burner B11 - 180		ALL RIGHTS RESERVED AND COPYRIGHTS BY	
				PART NUMBER GA7D-SLF100-B11-CONV		 <b>Vero Design</b> Zagerijstraat 23 B-2960 Sint-Job	
DRAWN		DATE 23/01/2019	SIGN	MATERIAL:	UNLESS OTHERWISE SPECIFIED: DIMENSIONS ARE IN MILLIMETERS TOLERANCES: ISO 2768 m K	DEBURR AND BREAK SHARP EDGES	 <b>A3</b> SCALE:1:10
CHK'D			WEIGHT:				
APPV'D			FINISH:				
						DO NOT SCALE DRAWING	
						SHEET 2 OF 2	





				GALA 8D - Tunnel model Slim frame 100/10 - Line burner B11 - 200mm		ALL RIGHTS RESERVED AND COPYRIGHTS BY	
				GA8D-SLF100-B11-CONV		 <b>Vero Design</b> Zagerijstraat 23 B-2960 Sint-Job	
DRAWN		DATE	01/2019	SIGN		MATERIAL:	UNLESS OTHERWISE SPECIFIED: DIMENSIONS ARE IN MILLIMETERS TOLERANCES: ISO 2768 m K
CHK'D						WEIGHT: 285 Kg	
APPV'D						FINISH:	
						DEBURR AND BREAK SHARP EDGES	
							
						A3	
						SCALE:1:20	
						DO NOT SCALE DRAWING	
						SHEET 1 OF 1	