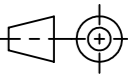
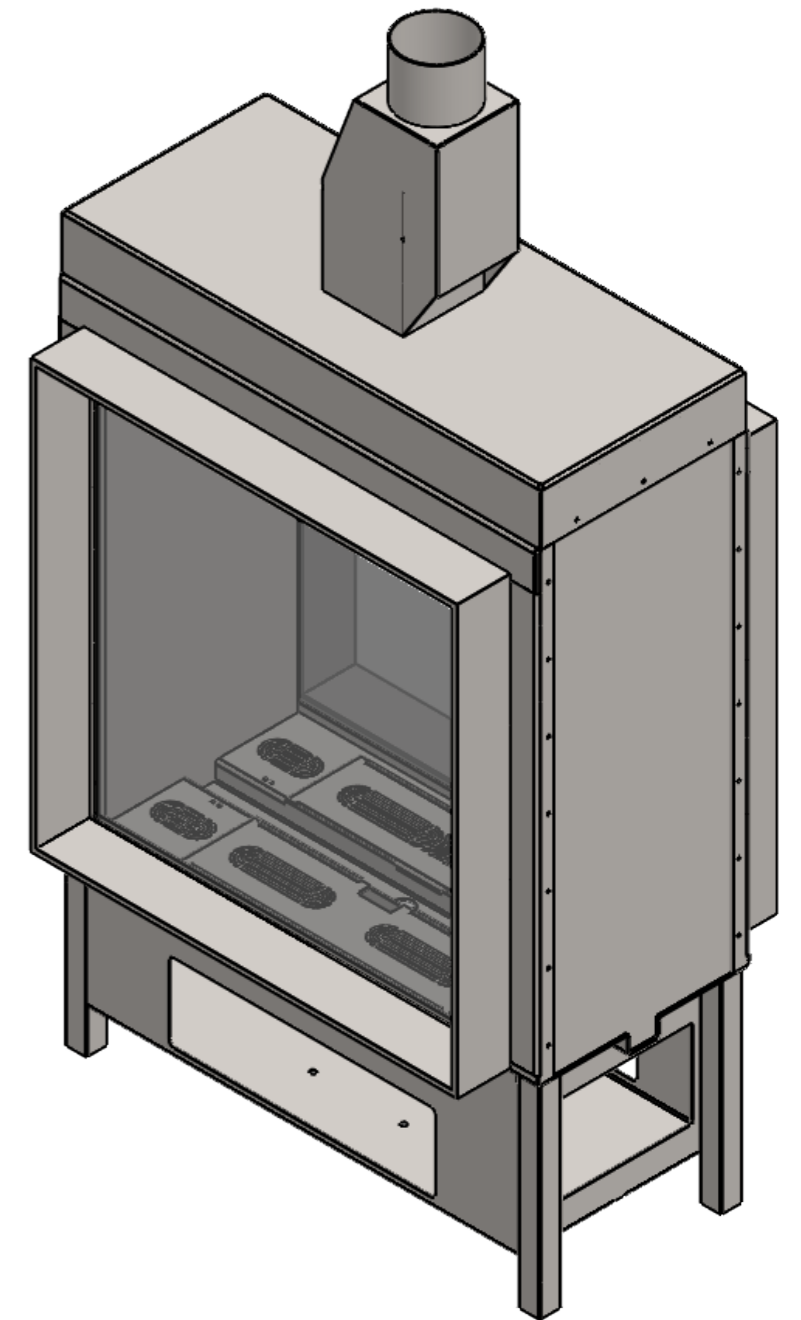
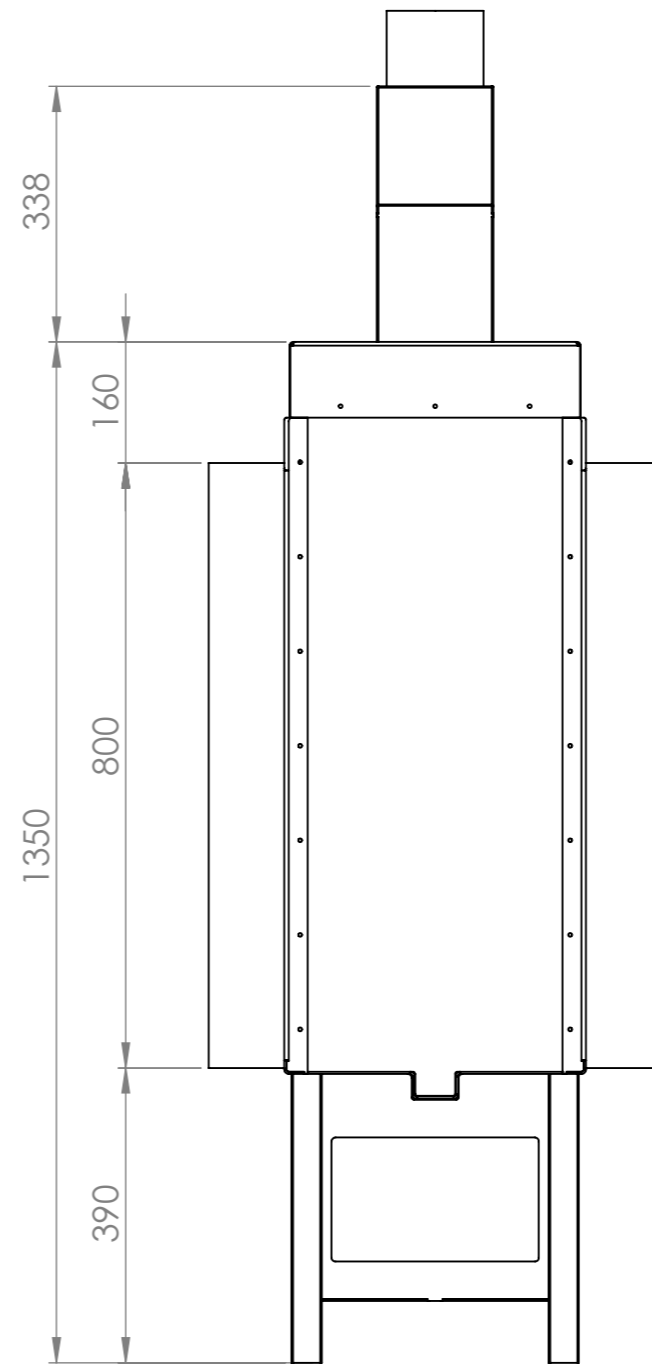
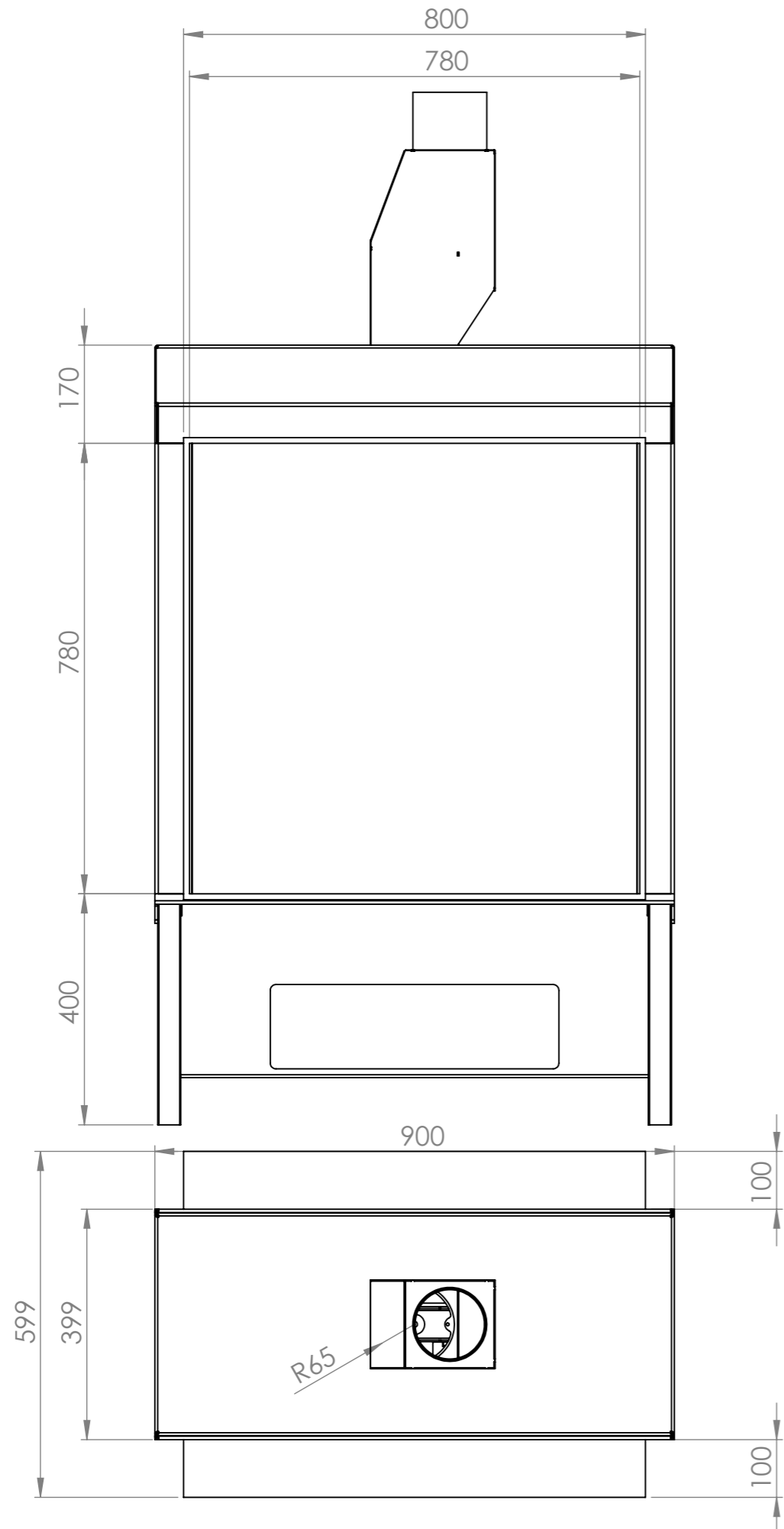

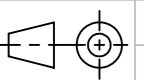


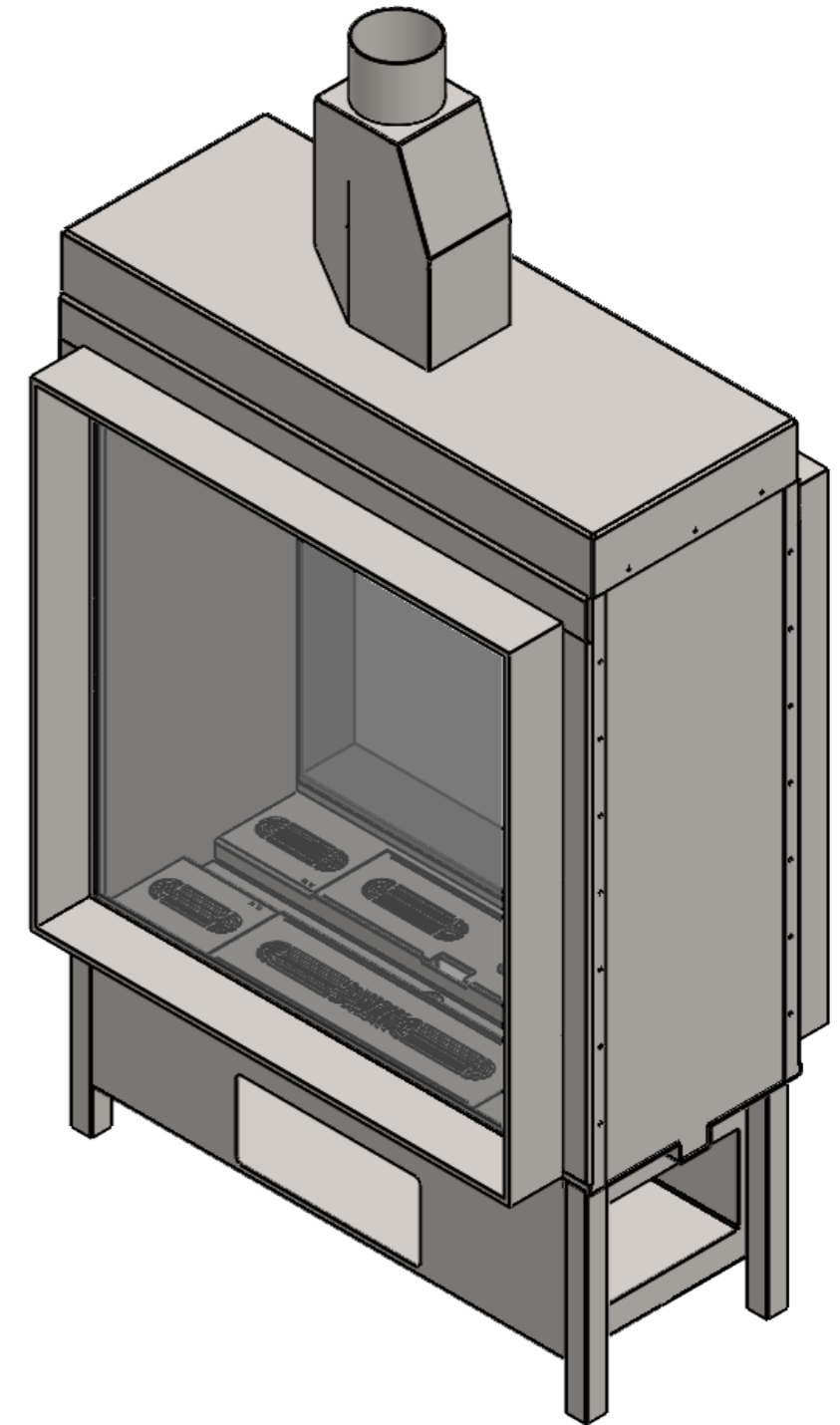
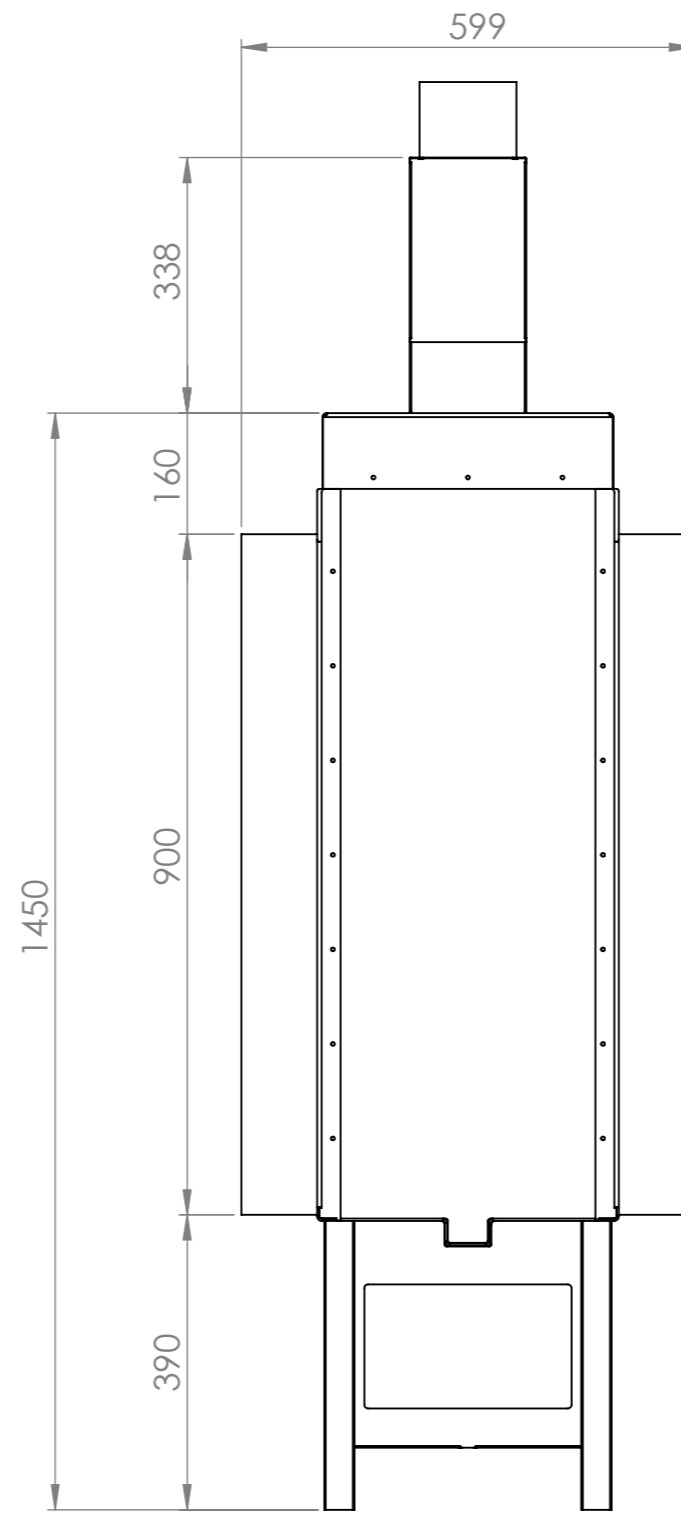
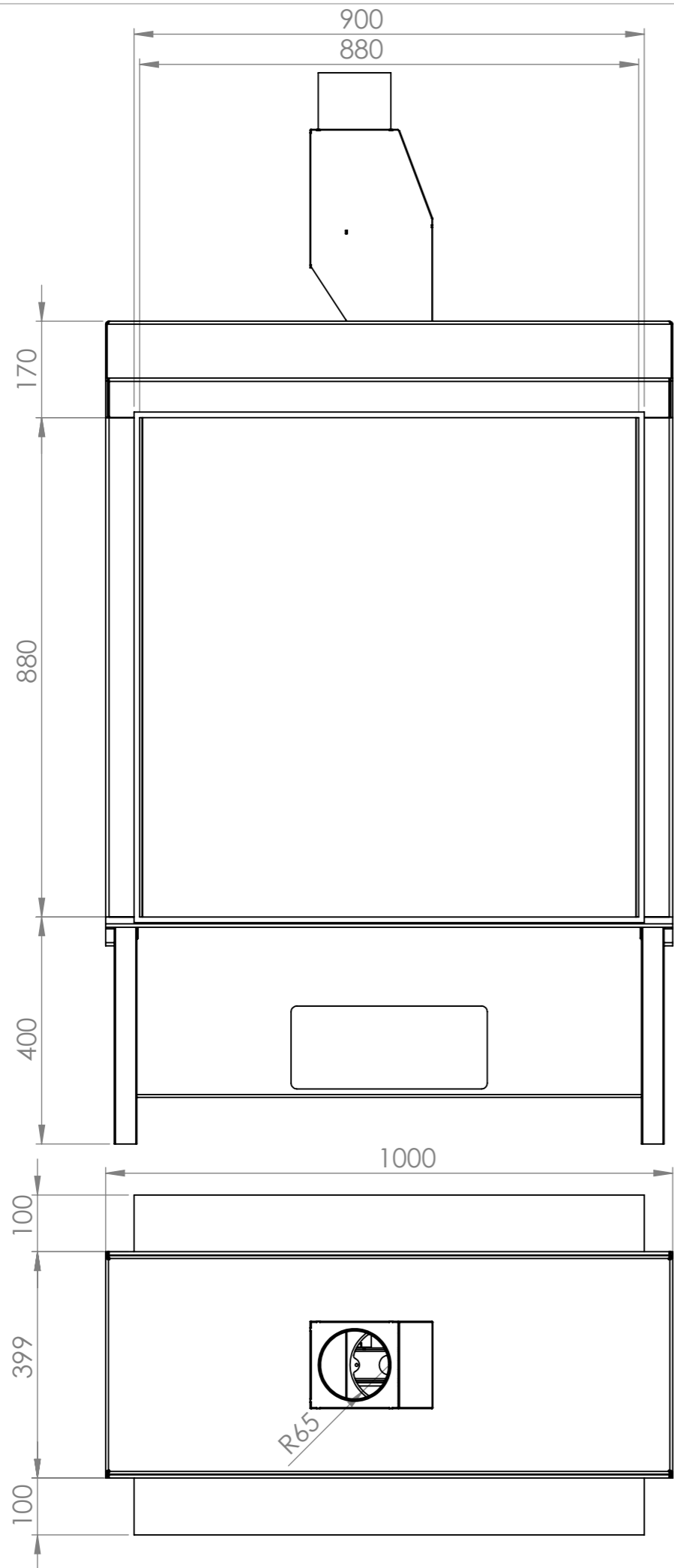
| | | | | | |
|--------|------------------|-----------|------|---|--|
| CLIENT | | | | Gala 70 Quadro Tunnel B11 130 - Slim Frame 100/10 Line burner | |
| | NAME | DATE | SIGN | PART NUMBER | |
| DRAWN | Davy D'Hollander | 1/10/2018 | | | |
| CHK'D | | | | MATERIAL: | UNLESS OTHERWISE SPECIFIED: DIMENSIONS ARE IN MILLIMETERS TOLERANCES: ISO 2768 m K |
| APPV'D | | | | WEIGHT: 135Kg | |
| | | | | FINISH: | |


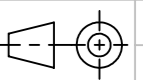
ALL RIGHTS RESERVED AND COPYRIGHTS BY
VERO Vero Design
 Zagerijstraat 23
 B-2960 Sint-Job

DEBURR AND BREAK SHARP EDGES  **A3**
 SCALE: 1:10
 DO NOT SCALE DRAWING SHEET 1 OF 1



| | | | | | | | | |
|--------|------|------------|------|--|--|---|------------------------------------|---|
| CLIENT | | | | PROJECT Gala Quadro 80 Tunnel C31 130/200 - Slim frame 100/10 Line burner | | ALL RIGHTS RESERVED AND COPYRIGHTS BY | | |
| | | | | PART NUMBER GAQ80D-B11-SLF | |  Vero Design Zagerijstraat 23 B-2960 Sint-Job | | |
| DRAWN | NAME | DATE | SIGN | MATERIAL: | | UNLESS OTHERWISE SPECIFIED: DIMENSIONS ARE IN MILLIMETERS TOLERANCES: ISO 2768 m K | DEBURR AND BREAK SHARP EDGES | |
| CHK'D | | 24/09/2019 | | WEIGHT: | | | |  |
| APPV'D | | | | FINISH: | | | | |
| | | | | | | DO NOT SCALE DRAWING | A3 SCALE:1:10 SHEET 1 OF 1 | |



| | | | | | | | |
|--------|------|------|---------|---|---|---|------------------------------------|
| CLIENT | | | | PROJECT Gala Quadro 90 Tunnel model B11 130mm - Slim frame 100/10 Line burner | | ALL RIGHTS RESERVED AND COPYRIGHTS BY | |
| | | | | PART NUMBER GAQ90D-B11-SLF | |  Vero Design Zagerijstraat 23 B-2960 Sint-Job | |
| DRAWN | NAME | DATE | SIGN | MATERIAL: | | UNLESS OTHERWISE SPECIFIED: DIMENSIONS ARE IN MILLIMETERS TOLERANCES: ISO 2768 m K | DEBURR AND BREAK SHARP EDGES |
| CHK'D | | | WEIGHT: | |  | | |
| APPV'D | | | FINISH: | | | | |
| | | | | | | DO NOT SCALE DRAWING | SHEET 1 OF 1 |