
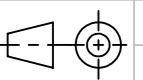
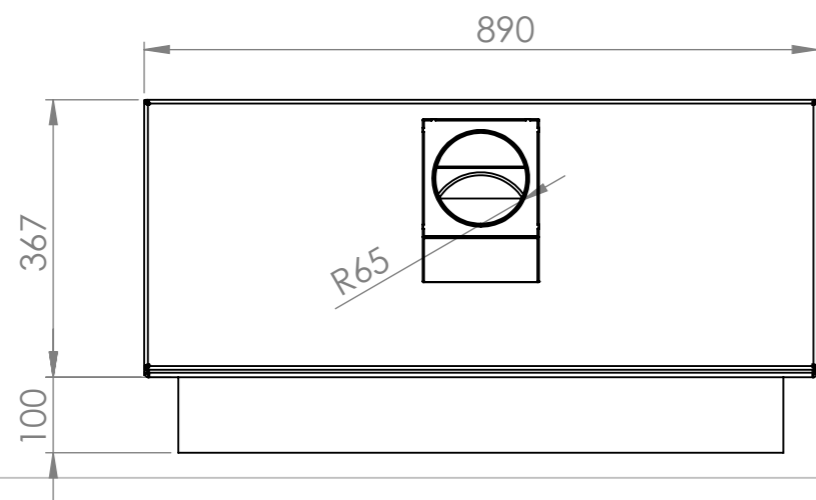
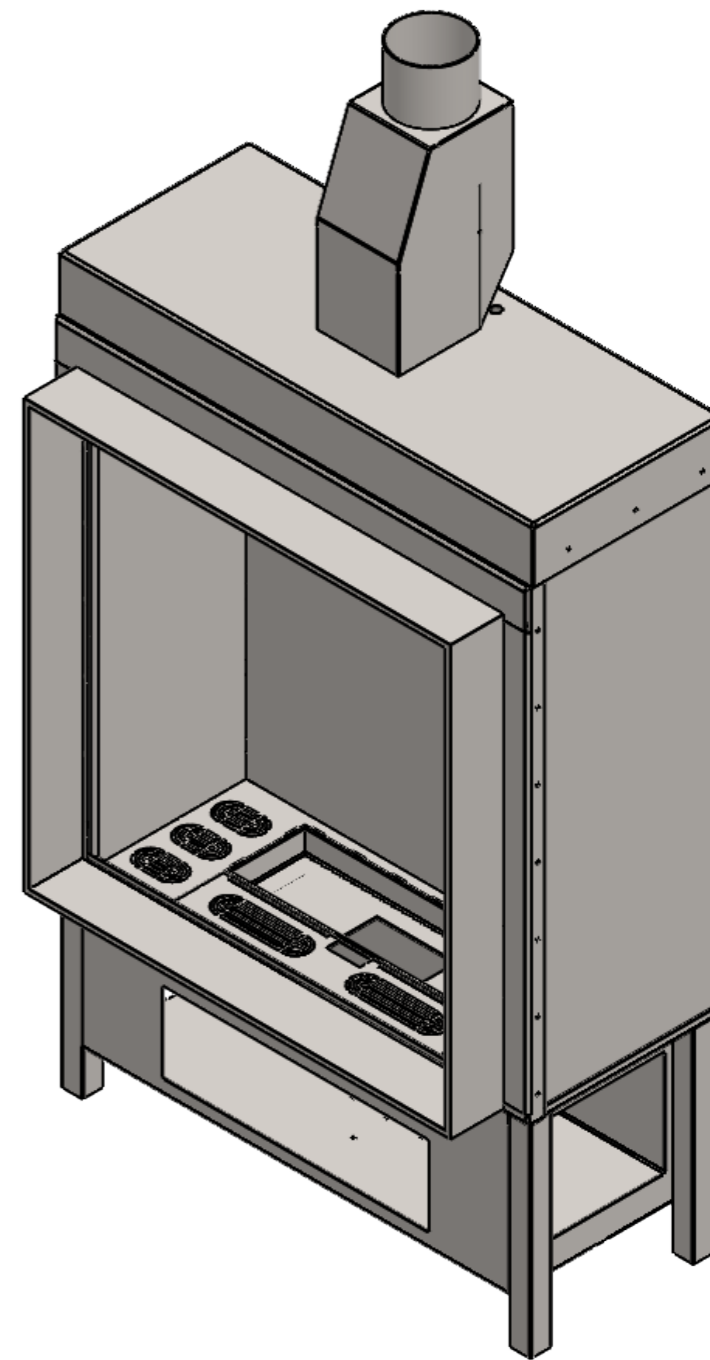
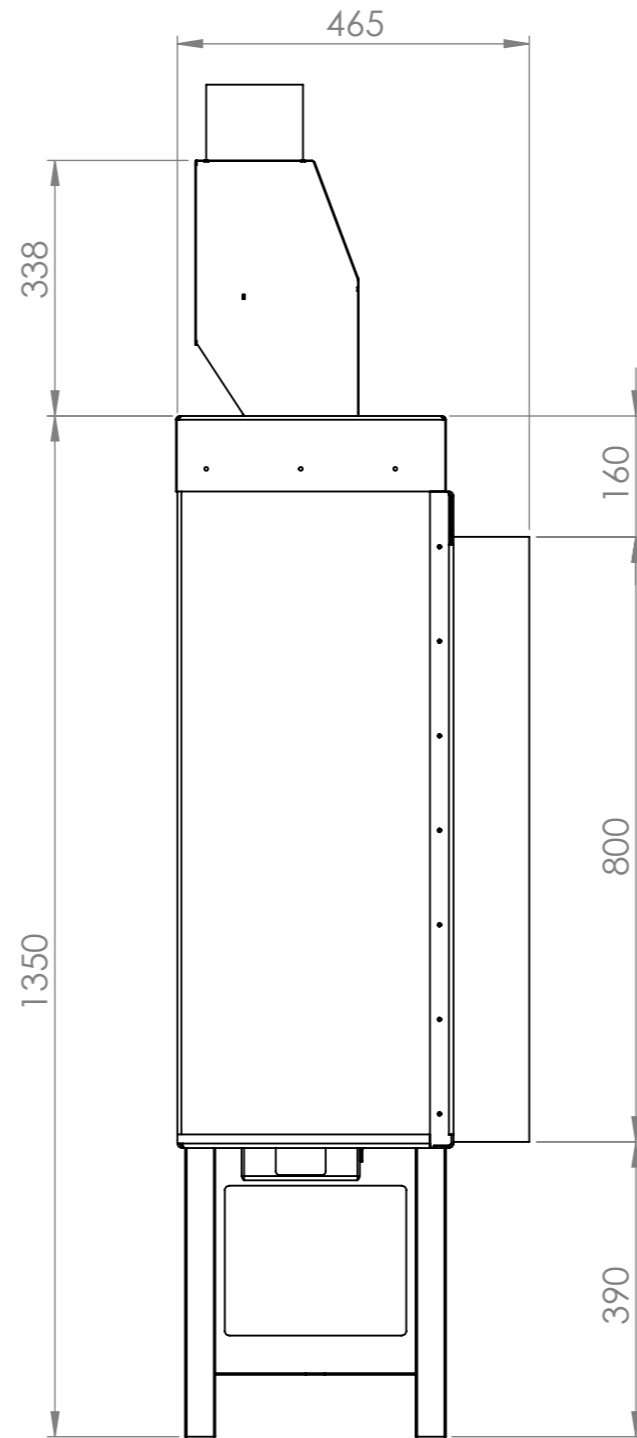
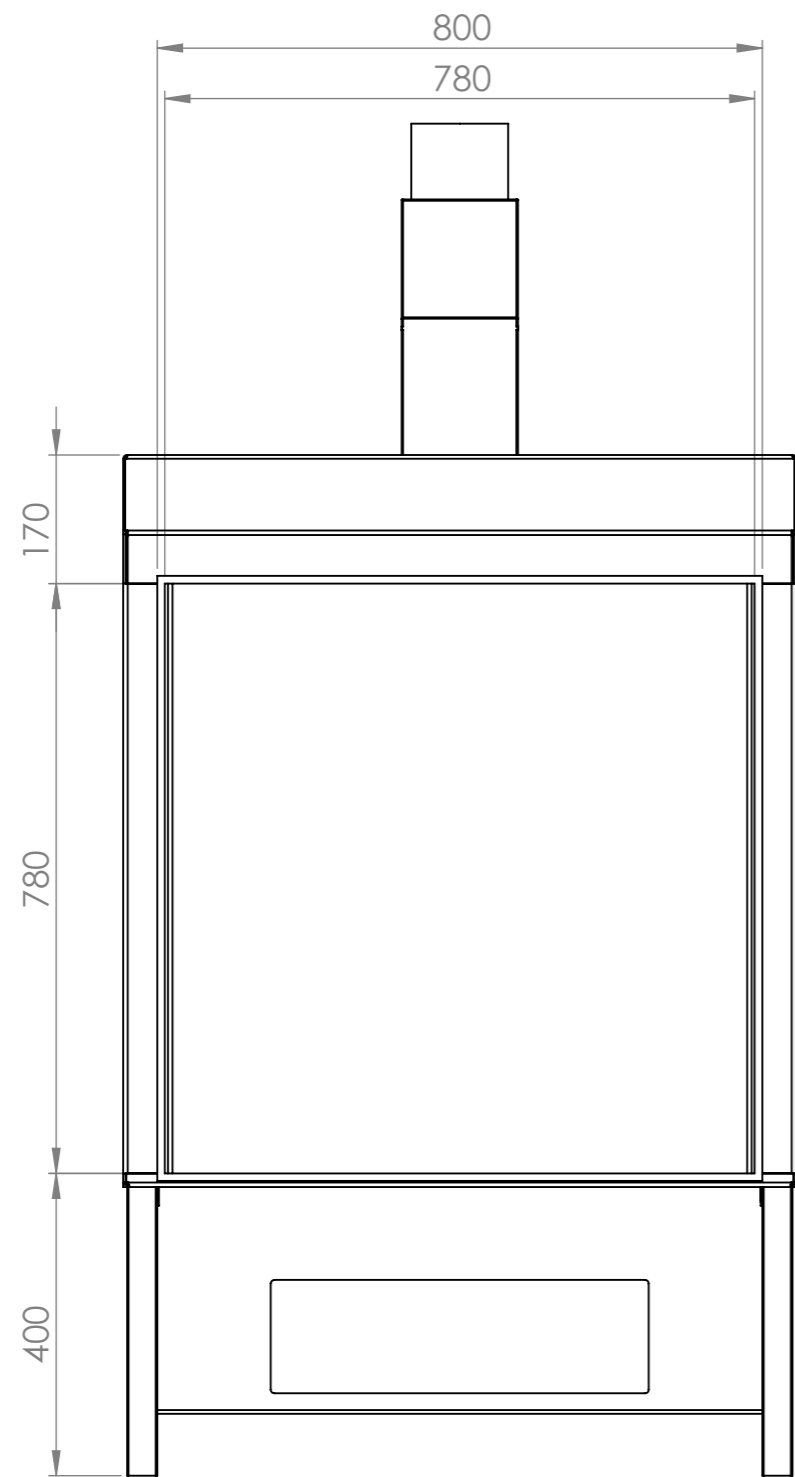

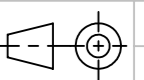
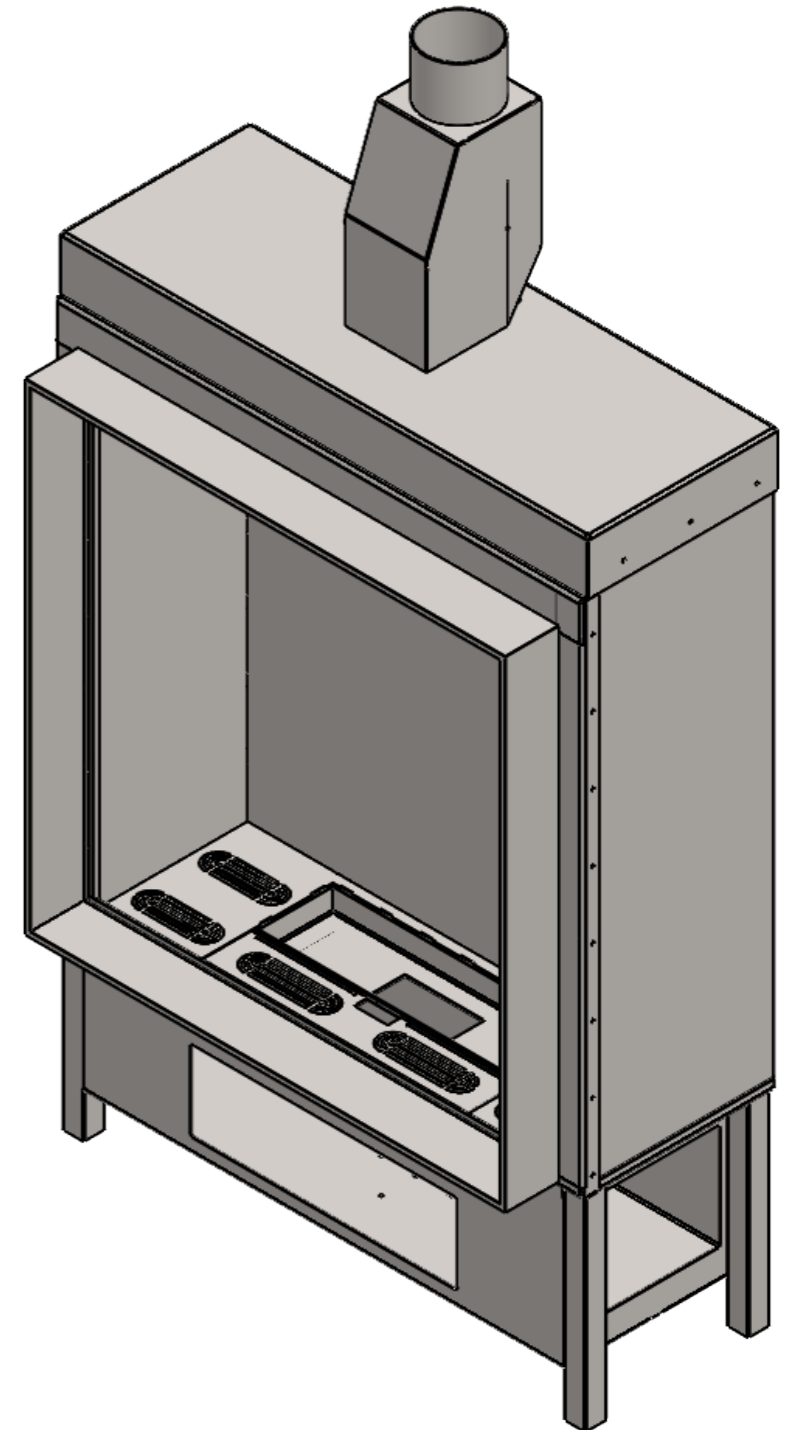
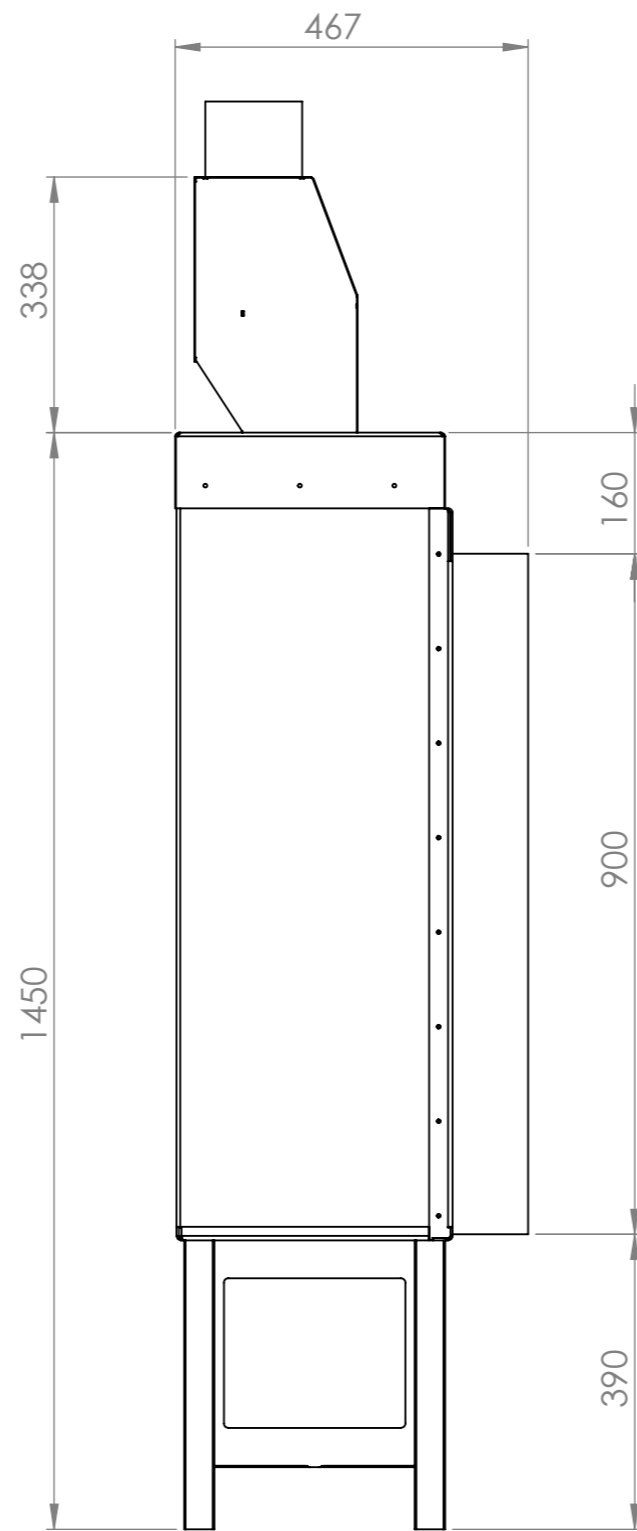
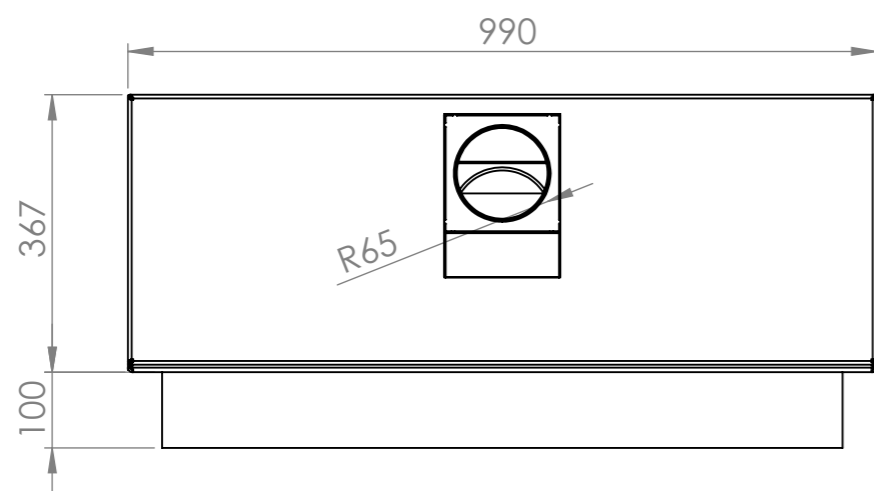
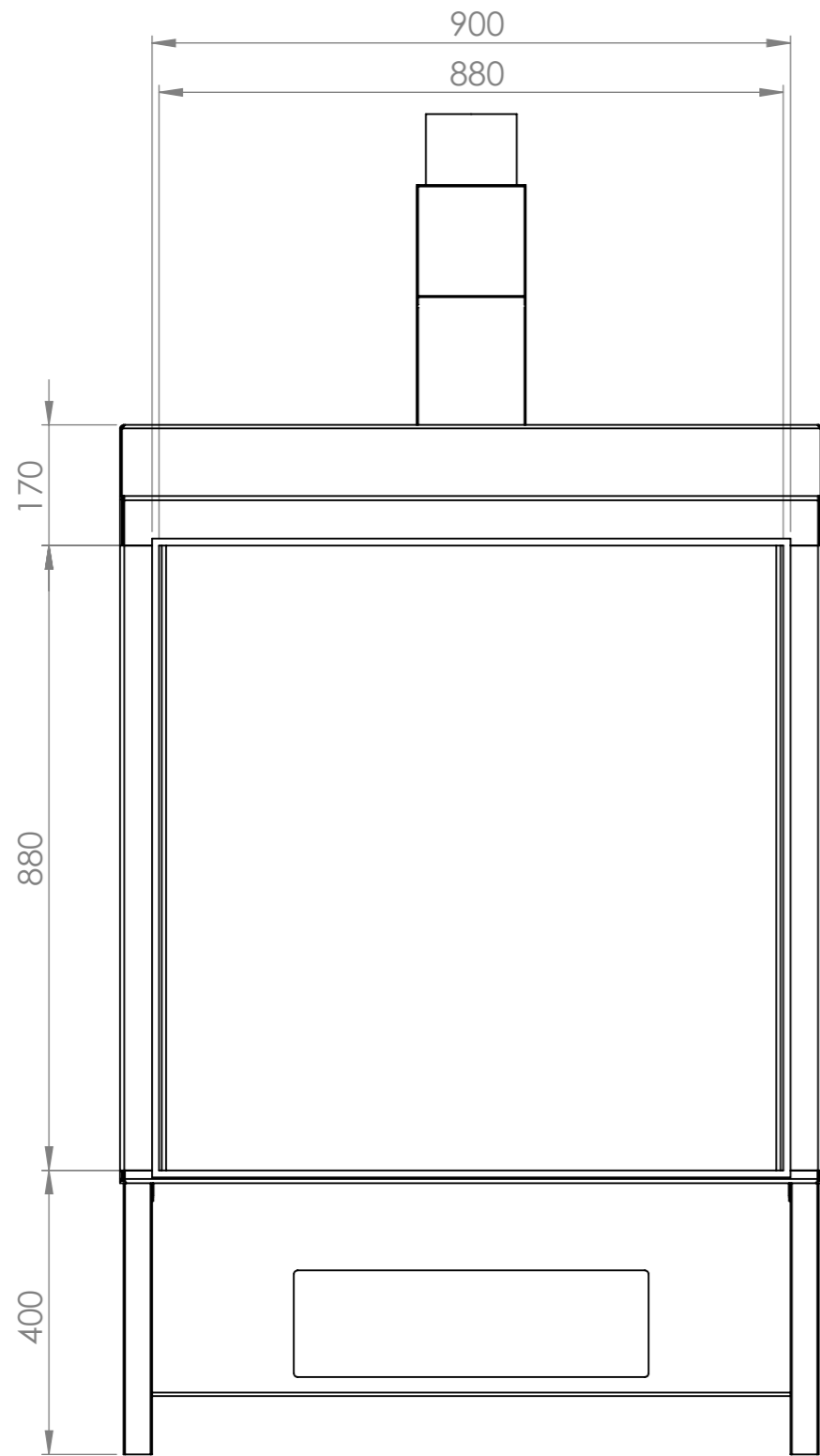

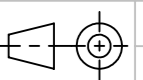


CLIENT				PROJECT Gala Quadro 70 Front Flat burner - Slim frame 100 B11 130		ALL RIGHTS RESERVED AND COPYRIGHTS BY	
				PART NUMBER GAQ70F-B11-SLF-VLAK		 Vero Design Zagerijstraat 23 B-2960 Sint-Job	
DRAWN	NAME	DATE	SIGN	MATERIAL:		UNLESS OTHERWISE SPECIFIED: DIMENSIONS ARE IN MILLIMETERS TOLERANCES: ISO 2768 m K	DEBURR AND BREAK SHARP EDGES
CHK'D		8/11/2019		WEIGHT:			
APPV'D				FINISH:			
							A3 SCALE:1:10
						DO NOT SCALE DRAWING	SHEET 1 OF 1



CLIENT				PROJECT Gala Quadro 80 Front Flat burner - Slim frame 100 B11 130		ALL RIGHTS RESERVED AND COPYRIGHTS BY	
				PART NUMBER		 Vero Design Zagerijstraat 23 B-2960 Sint-Job	
DRAWN	NAME	DATE	SIGN	GAQ80F-B11-SLF-VLAK		UNLESS OTHERWISE SPECIFIED: DIMENSIONS ARE IN MILLIMETERS TOLERANCES: ISO 2768 m K	DEBURR AND BREAK SHARP EDGES
CHK'D		8/11/2019		MATERIAL:			
APPV'D				WEIGHT:			
				FINISH:			A3 SCALE:1:10
						DO NOT SCALE DRAWING	SHEET 1 OF 1



CLIENT				PROJECT Gala Quadro 90 Front model Flat burner - Slim frame 100/10 B11 130		ALL RIGHTS RESERVED AND COPYRIGHTS BY	
				PART NUMBER		 Vero Design Zagerijstraat 23 B-2960 Sint-Job	
DRAWN	NAME	DATE	SIGN	GAQ90F-B11-SLF-VLAK		UNLESS OTHERWISE SPECIFIED: DIMENSIONS ARE IN MILLIMETERS TOLERANCES: ISO 2768 m K	DEBURR AND BREAK SHARP EDGES
CHK'D				MATERIAL:			
APPV'D				WEIGHT:			
				FINISH:		DO NOT SCALE DRAWING	A3 SCALE:1:10 SHEET 1 OF 1