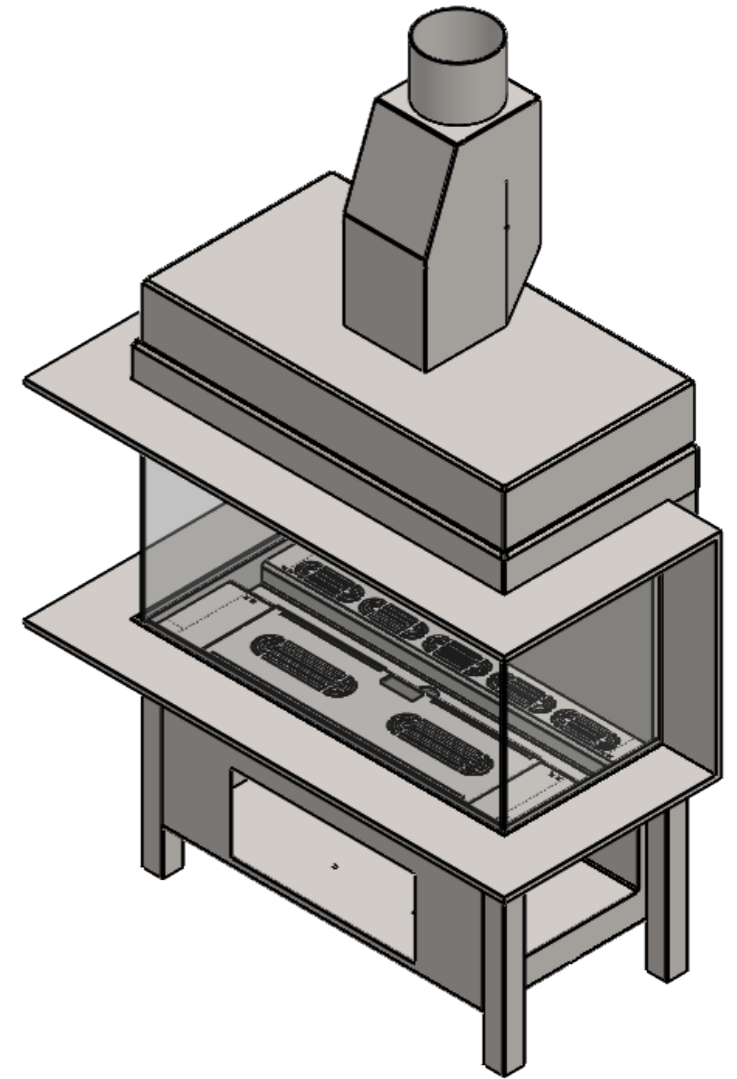
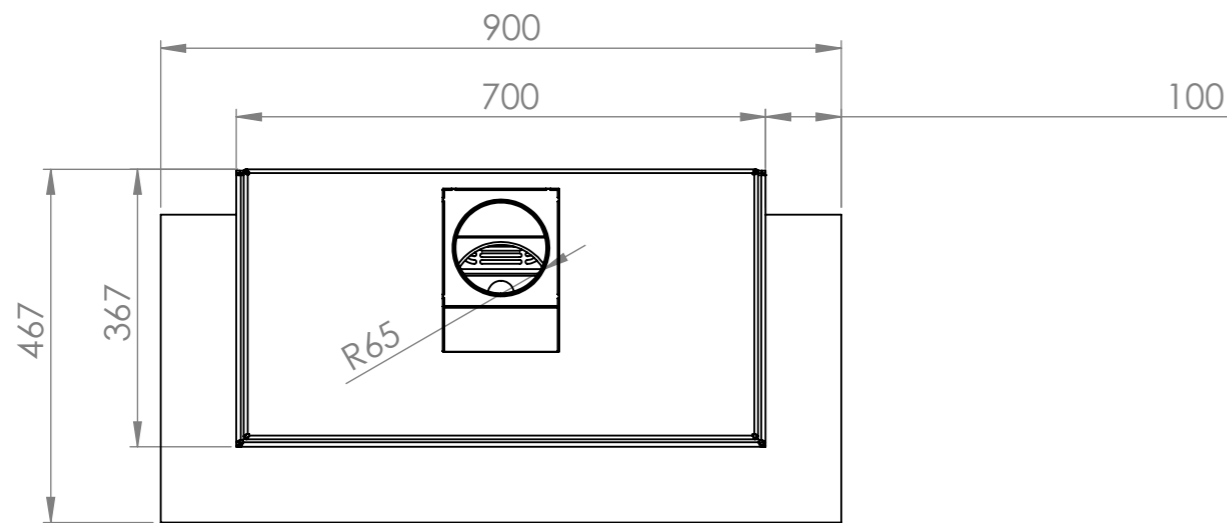
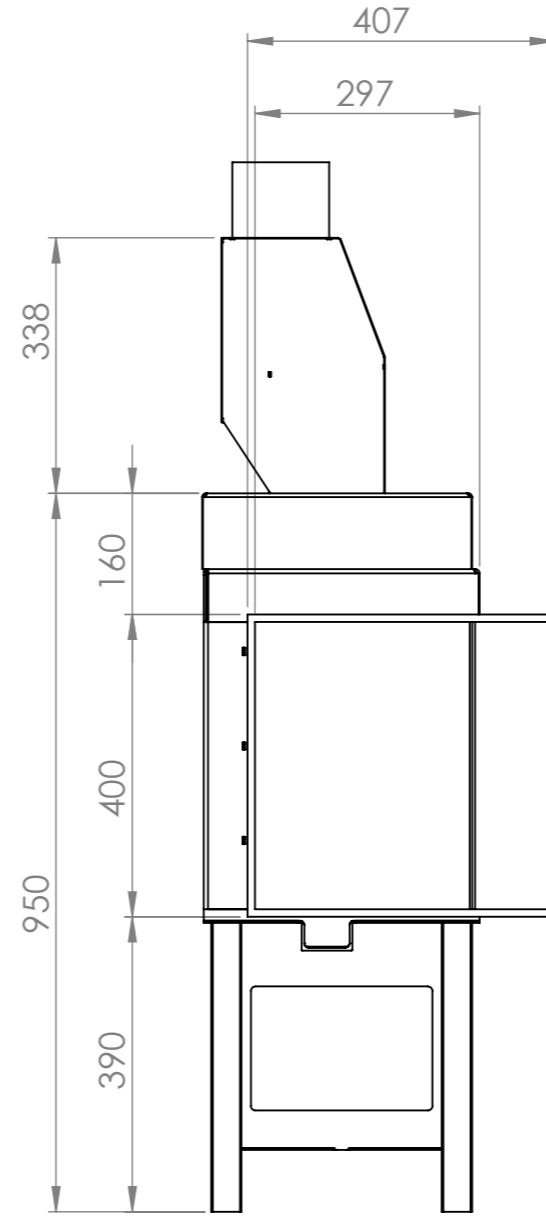
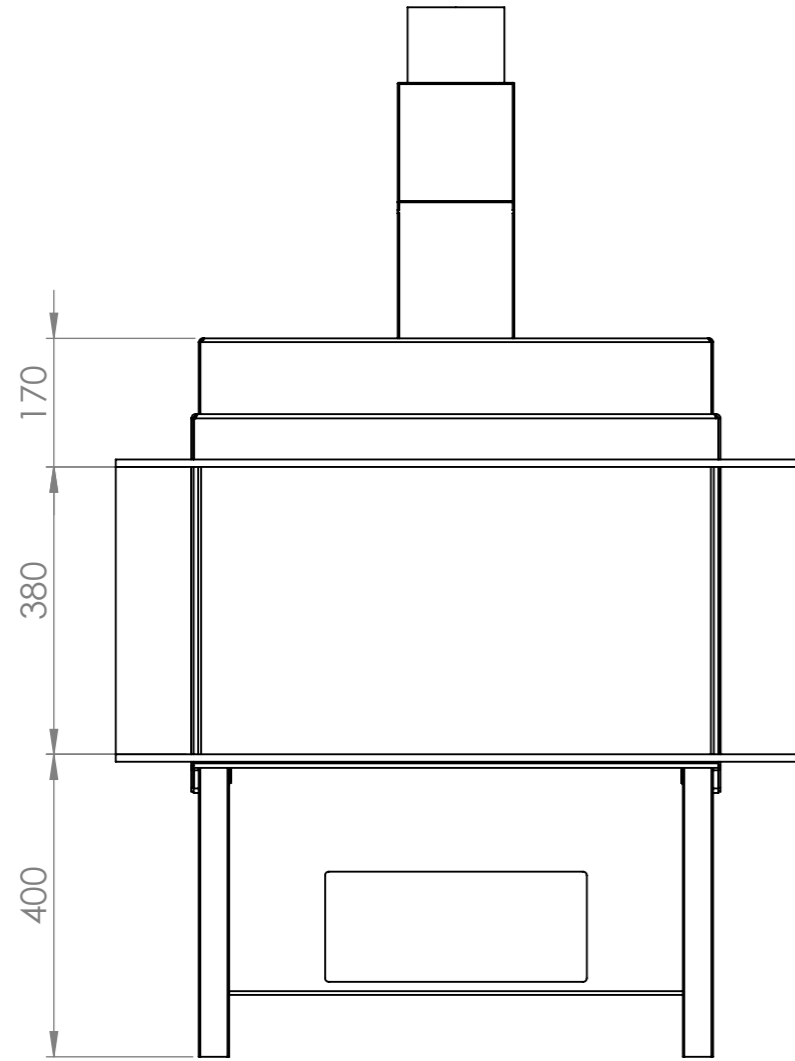


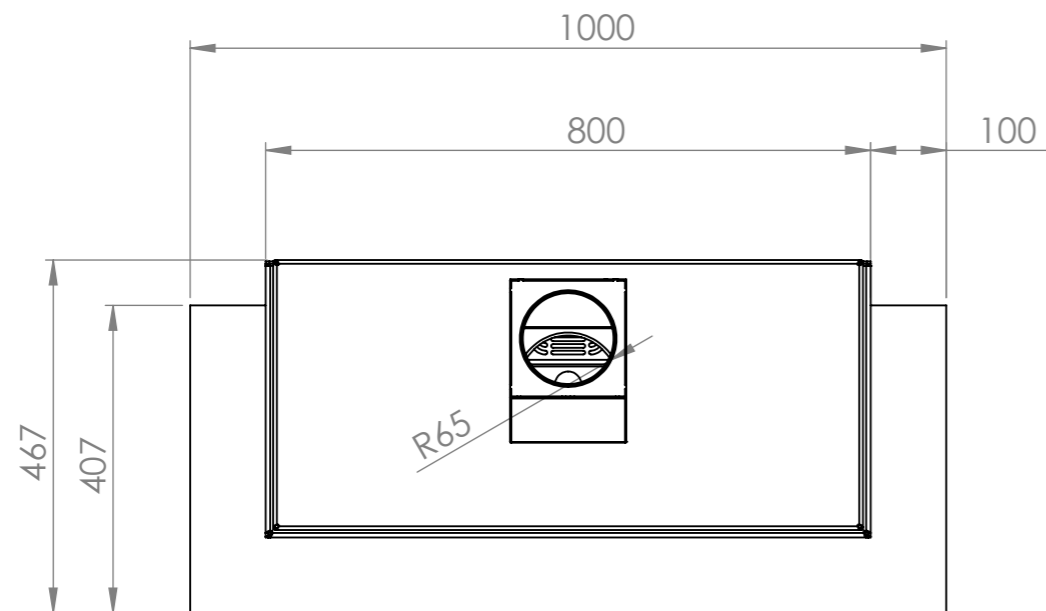
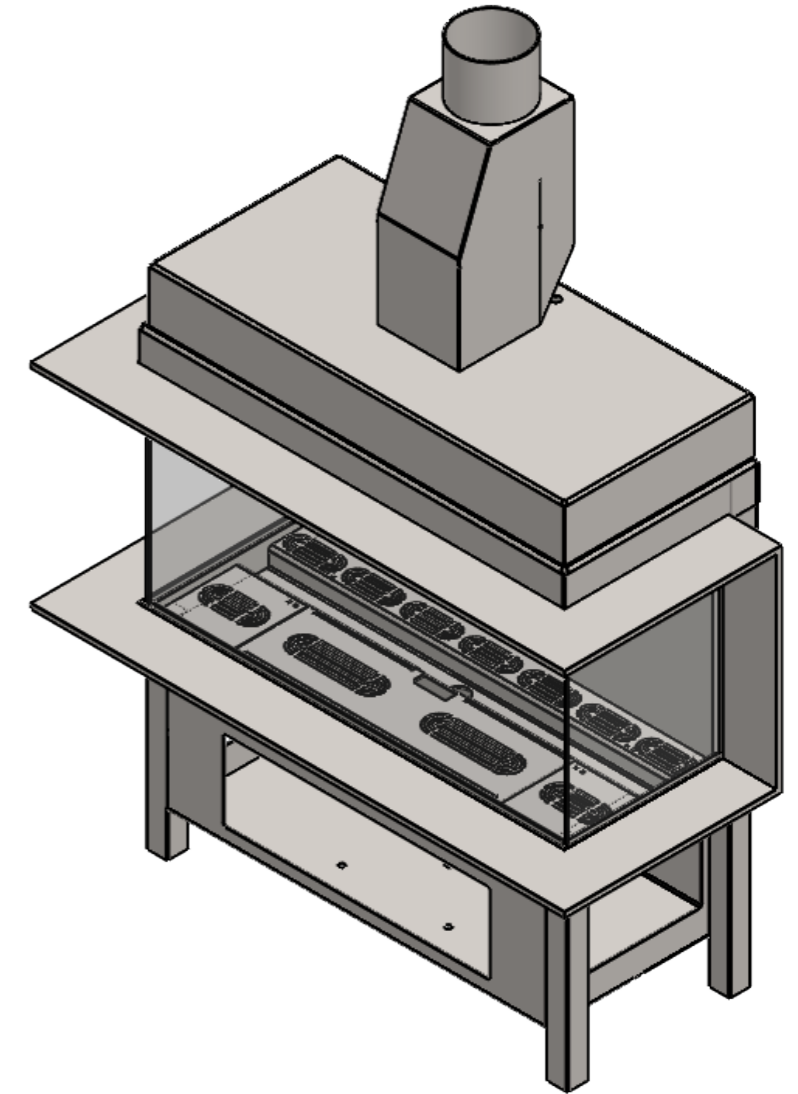
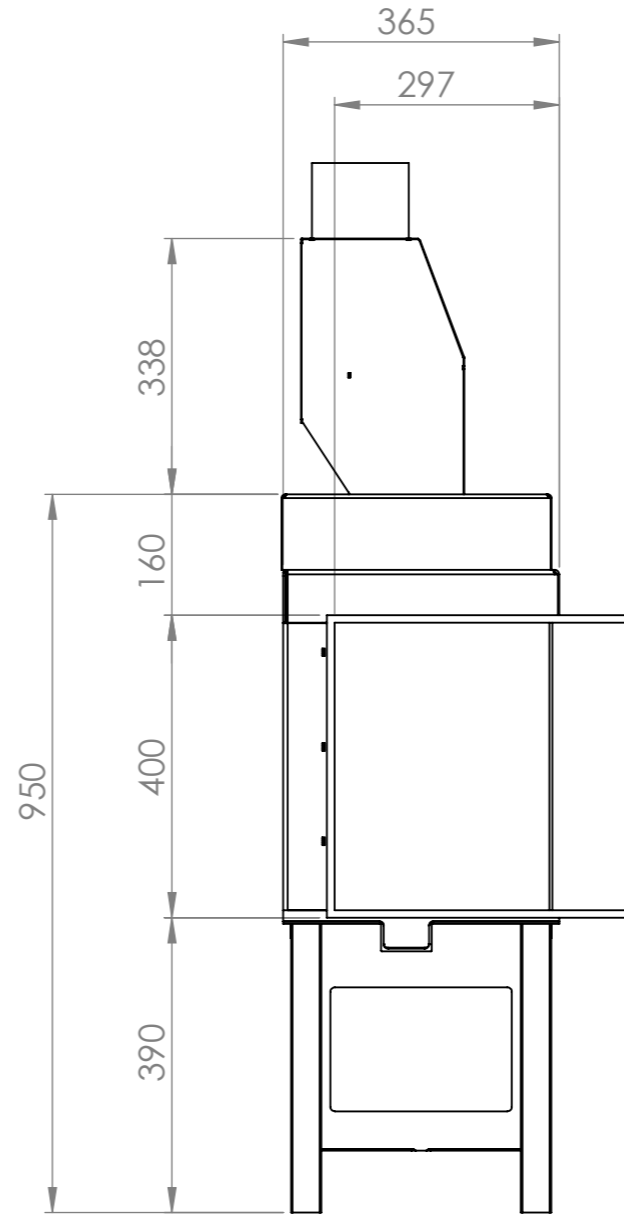
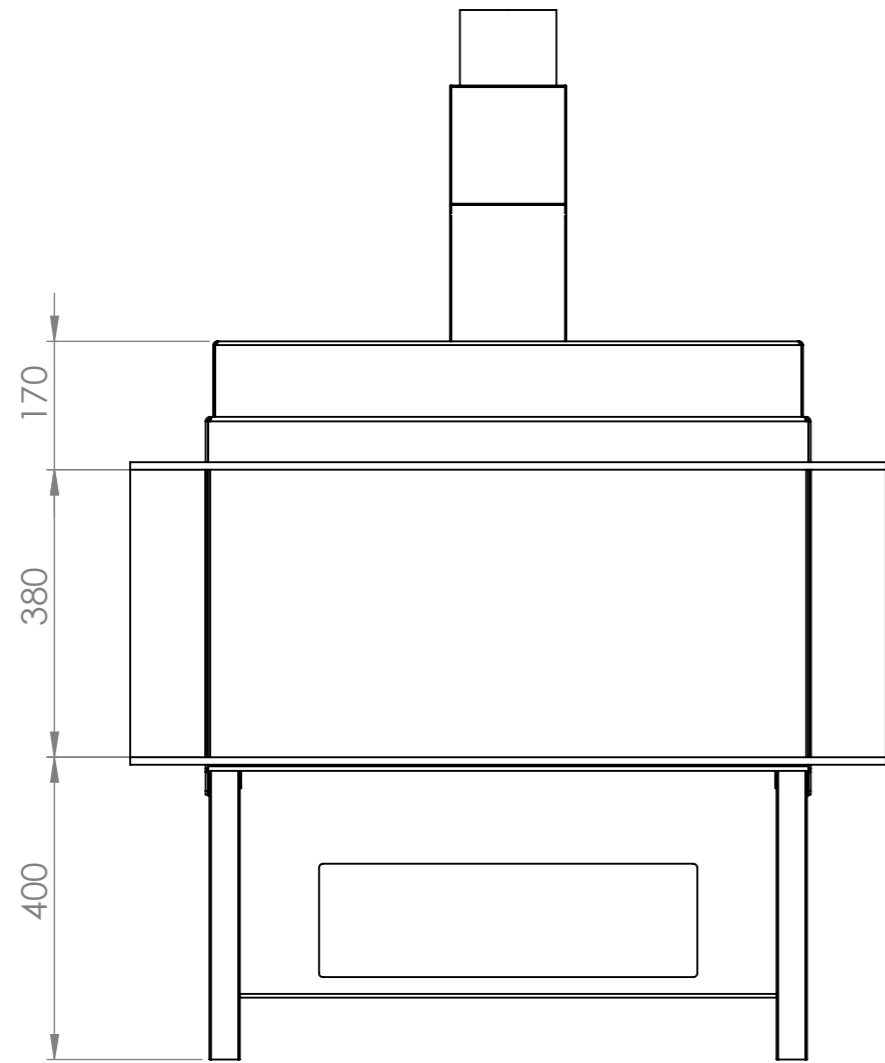
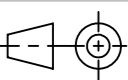


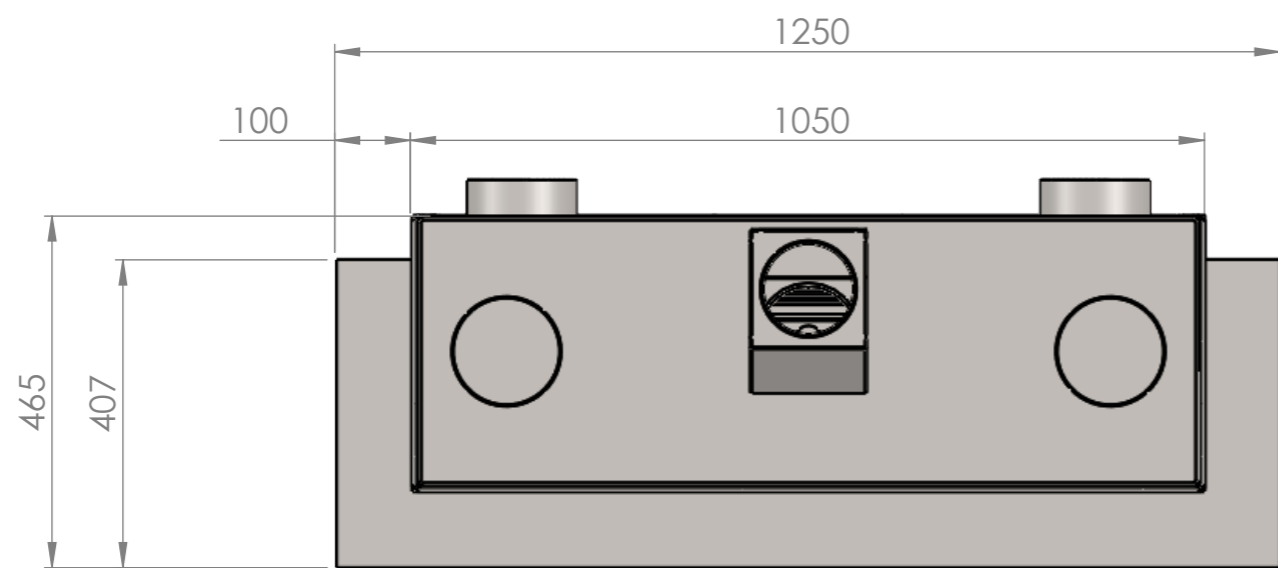
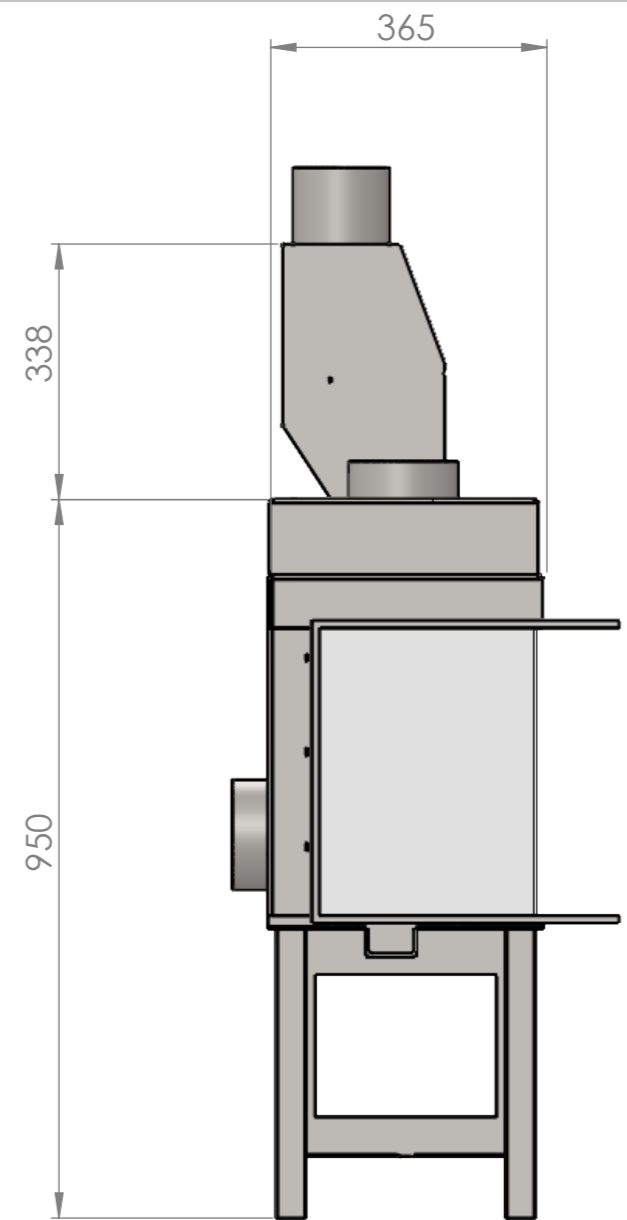
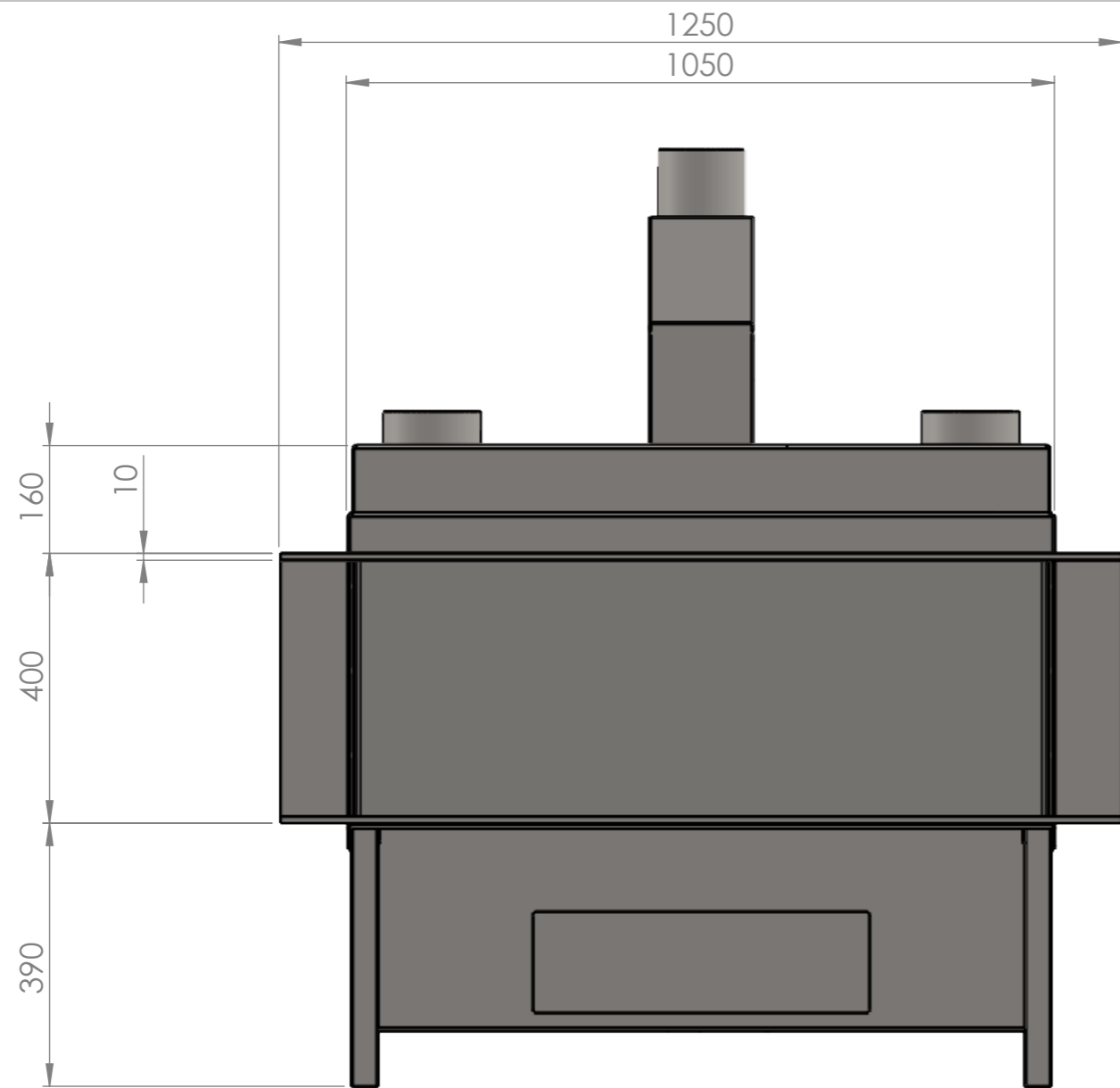
CLIENT				PROJECT Gala 1 Panoramic B11 130 - Slim frame 100/10 Line burner		ALL RIGHTS RESERVED AND COPYRIGHTS BY VERO DESIGN Vero Design Zagerijstraat 23 B-2960 Sint-Job	
DRAWN	NAME	DATE	SIGN	PART NUMBER GA1H2-B11-SLF		UNLESS OTHERWISE SPECIFIED: DIMENSIONS ARE IN MILLIMETERS TOLERANCES: ISO 2768 m K	DEBURR AND BREAK SHARP EDGES
CHK'D		25/09/2019		MATERIAL:			
APPV'D				WEIGHT:			
				FINISH:			
						DO NOT SCALE DRAWING	A3 SCALE:1:10 SHEET 1 OF 1


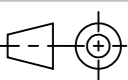


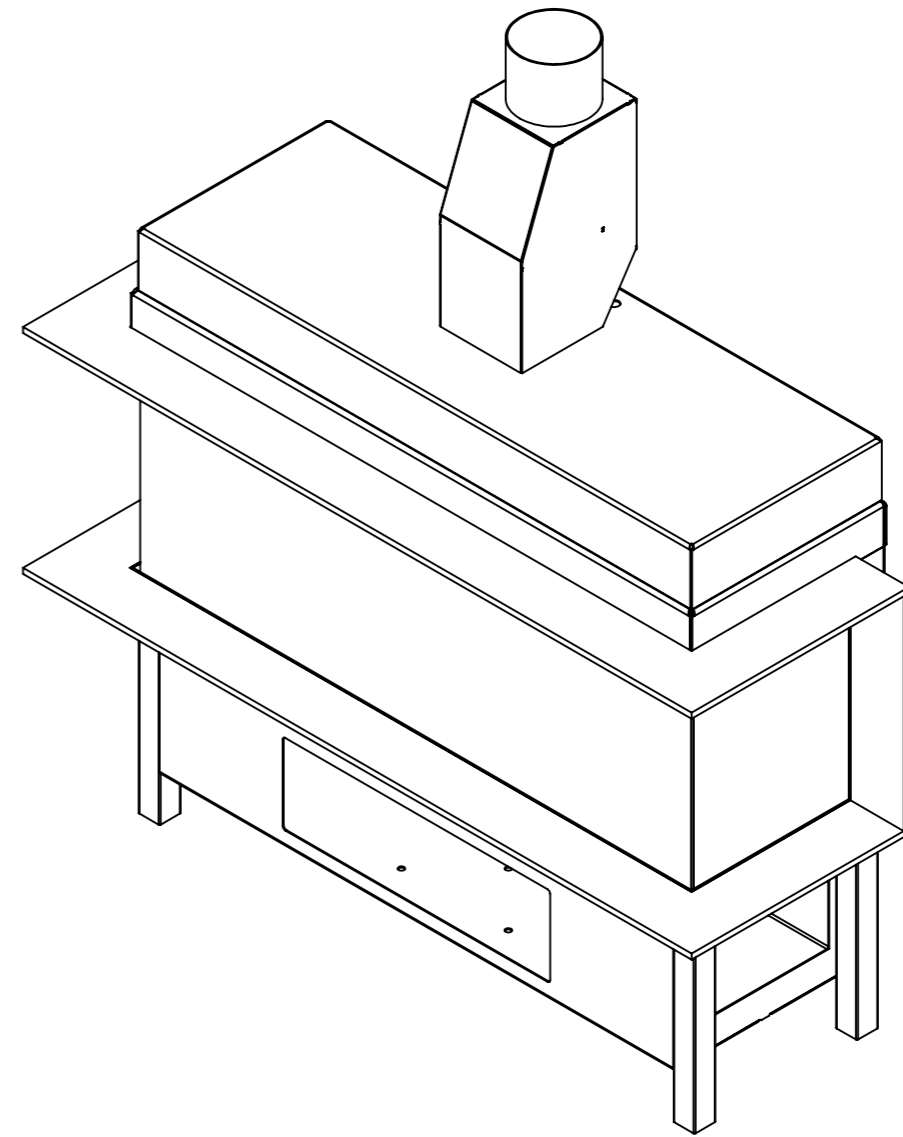
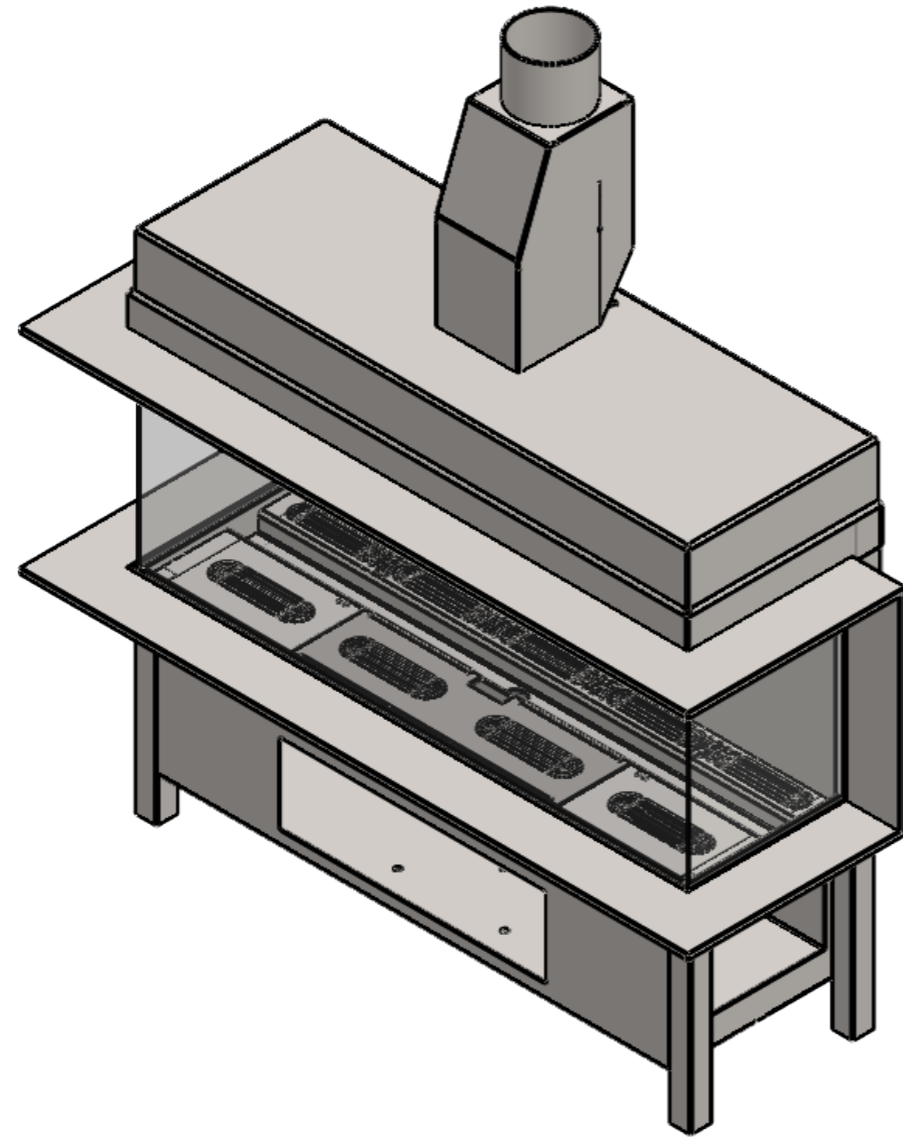
CLIENT				PROJECT Gala 2 Panoramic B11 130 - Slime frame 100/10 Line burner		ALL RIGHTS RESERVED AND COPYRIGHTS BY	
				PART NUMBER GA2H2-B11-SLF		 Vero Design Zagerijstraat 23 B-2960 Sint-Job	
DRAWN	NAME	DATE 25/09/2019	SIGN	MATERIAL:	UNLESS OTHERWISE SPECIFIED: DIMENSIONS ARE IN MILLIMETERS TOLERANCES: ISO 2768 m K	DEBURR AND BREAK SHARP EDGES	 A3 SCALE:1:10
CHK'D			WEIGHT:				
APPV'D			FINISH:				
						DO NOT SCALE DRAWING	
						SHEET 1 OF 1	


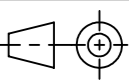


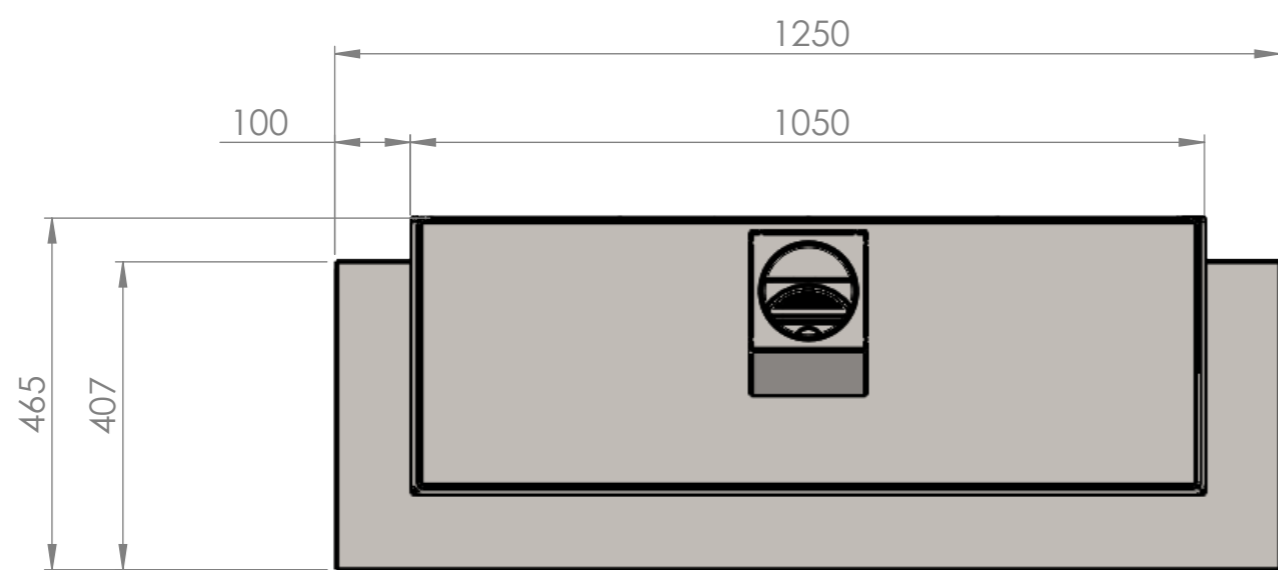
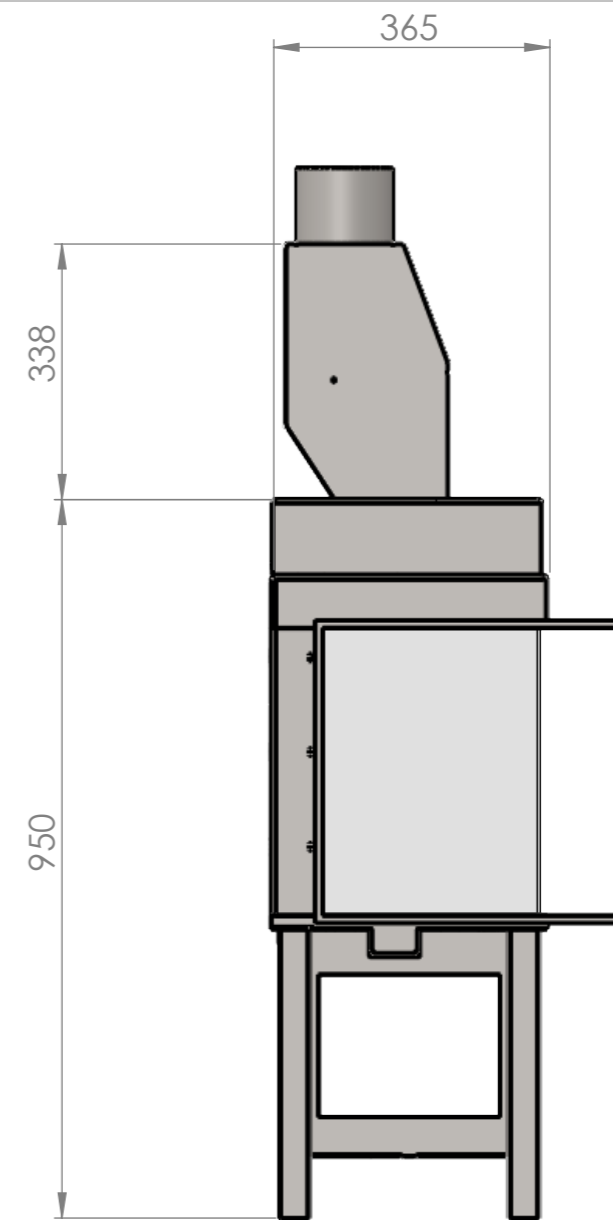
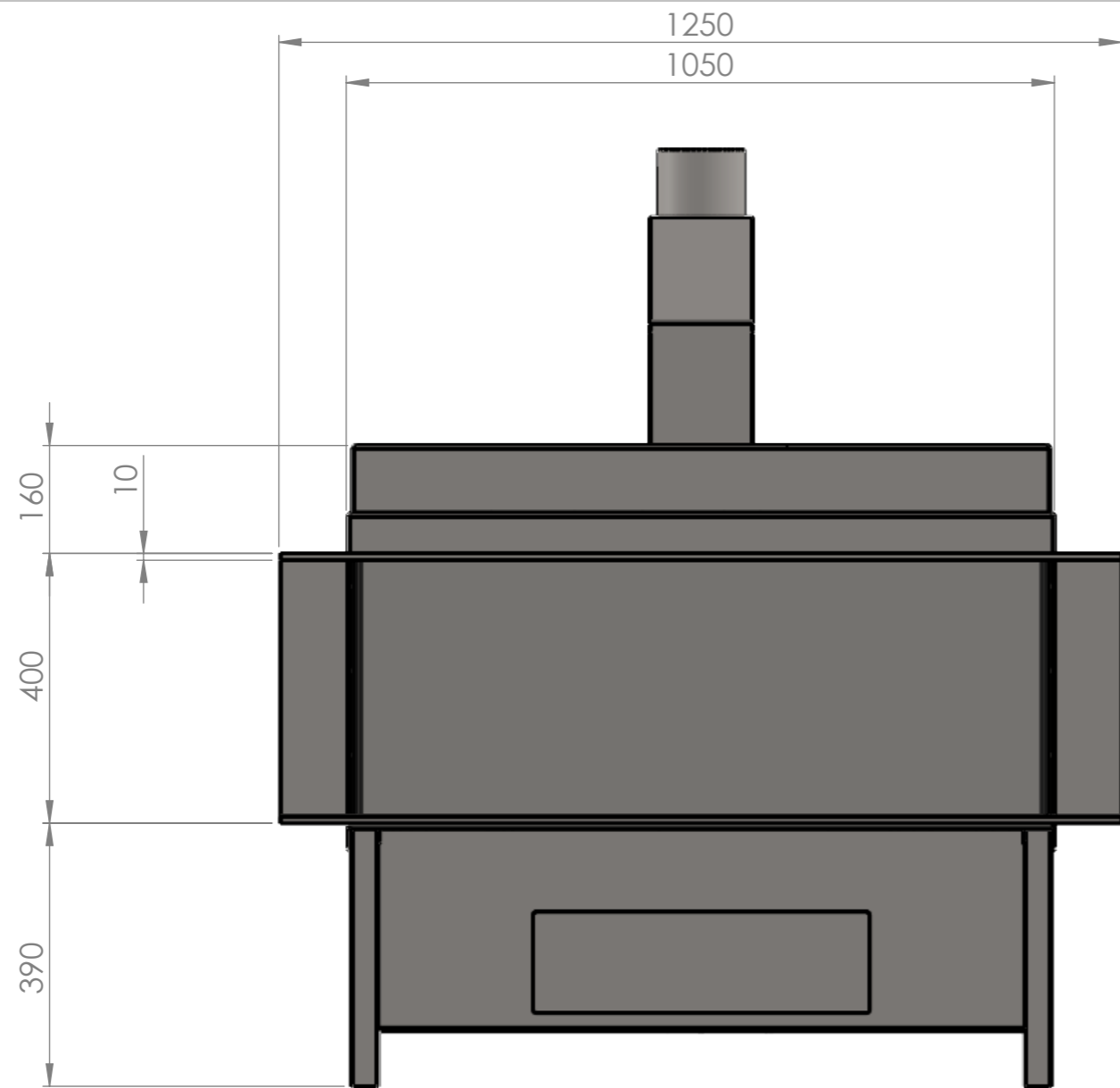
CLIENT				PROJECT Gala 3 Panoramic B11 130 - Slim frame 100/10 Line burner		ALL RIGHTS RESERVED AND COPYRIGHTS BY VERO Vero Design Zagerijstraat 23 DESIGN B-2960 Sint-Job	
DRAWN	NAME	DATE 25/09/2019	SIGN	PART NUMBER GA3H2-B11-SLF		UNLESS OTHERWISE SPECIFIED: DIMENSIONS ARE IN MILLIMETERS TOLERANCES: ISO 2768 m K	DEBURR AND BREAK SHARP EDGES
CHK'D				MATERIAL:			
APPV'D				WEIGHT:			
				FINISH:			 A3 SCALE:1:10 DO NOT SCALE DRAWING SHEET 1 OF 1


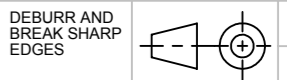


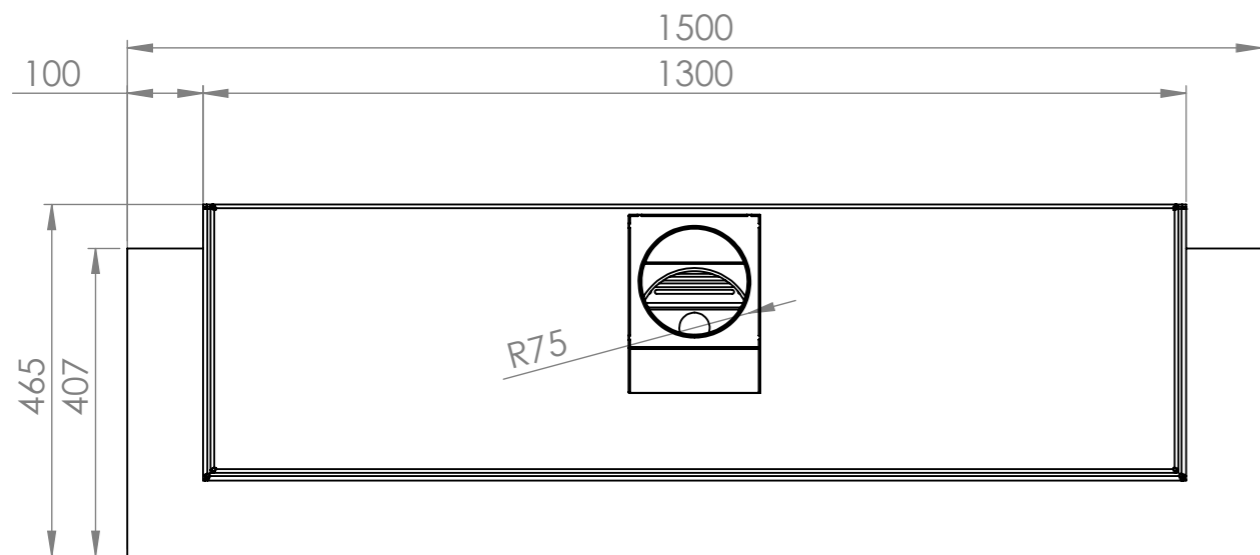
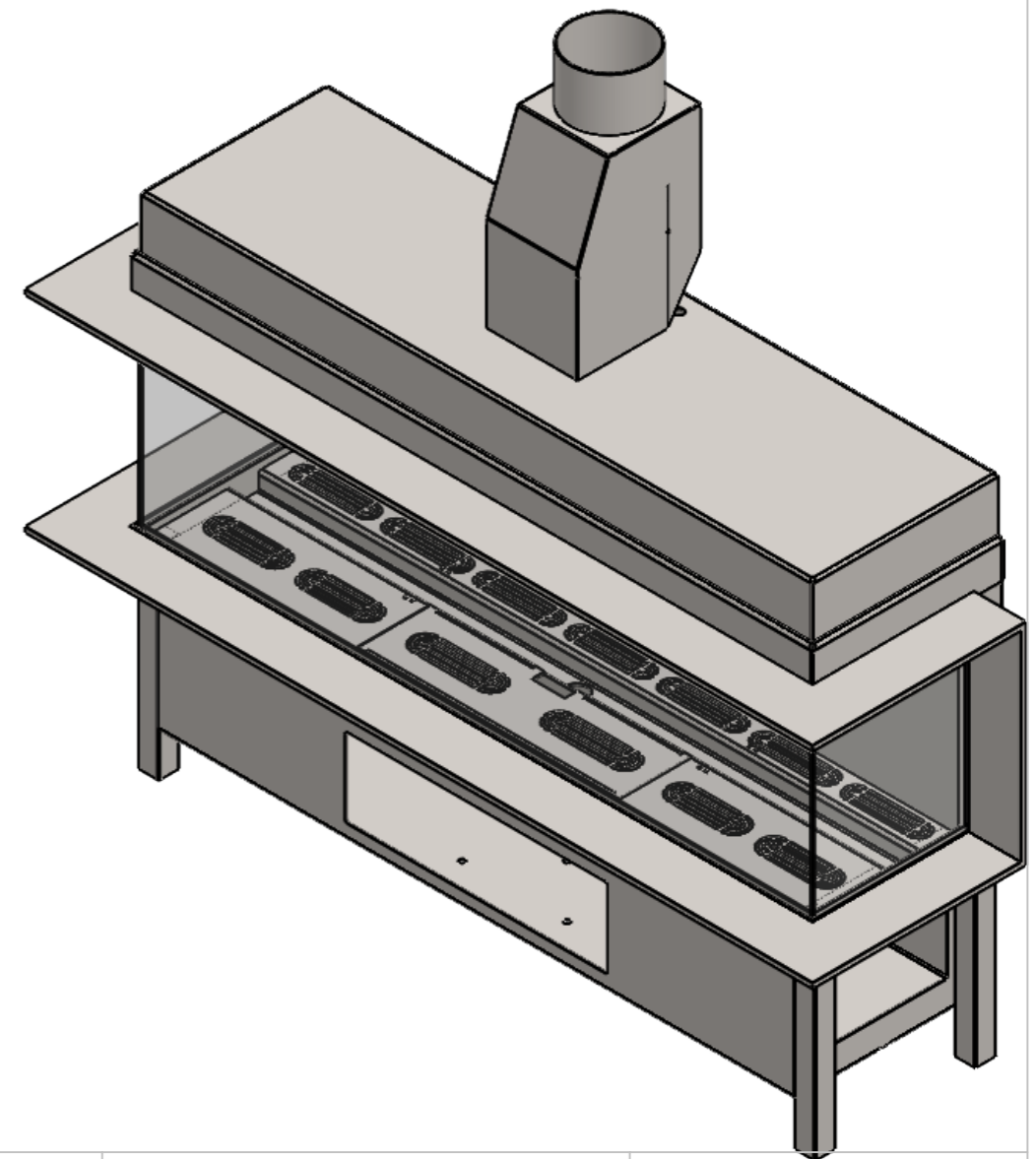
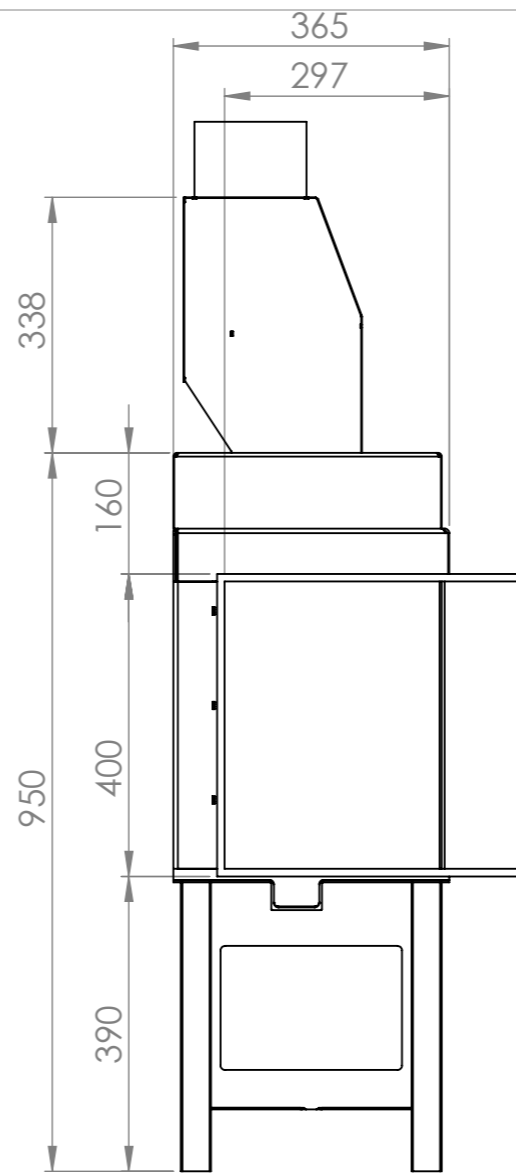
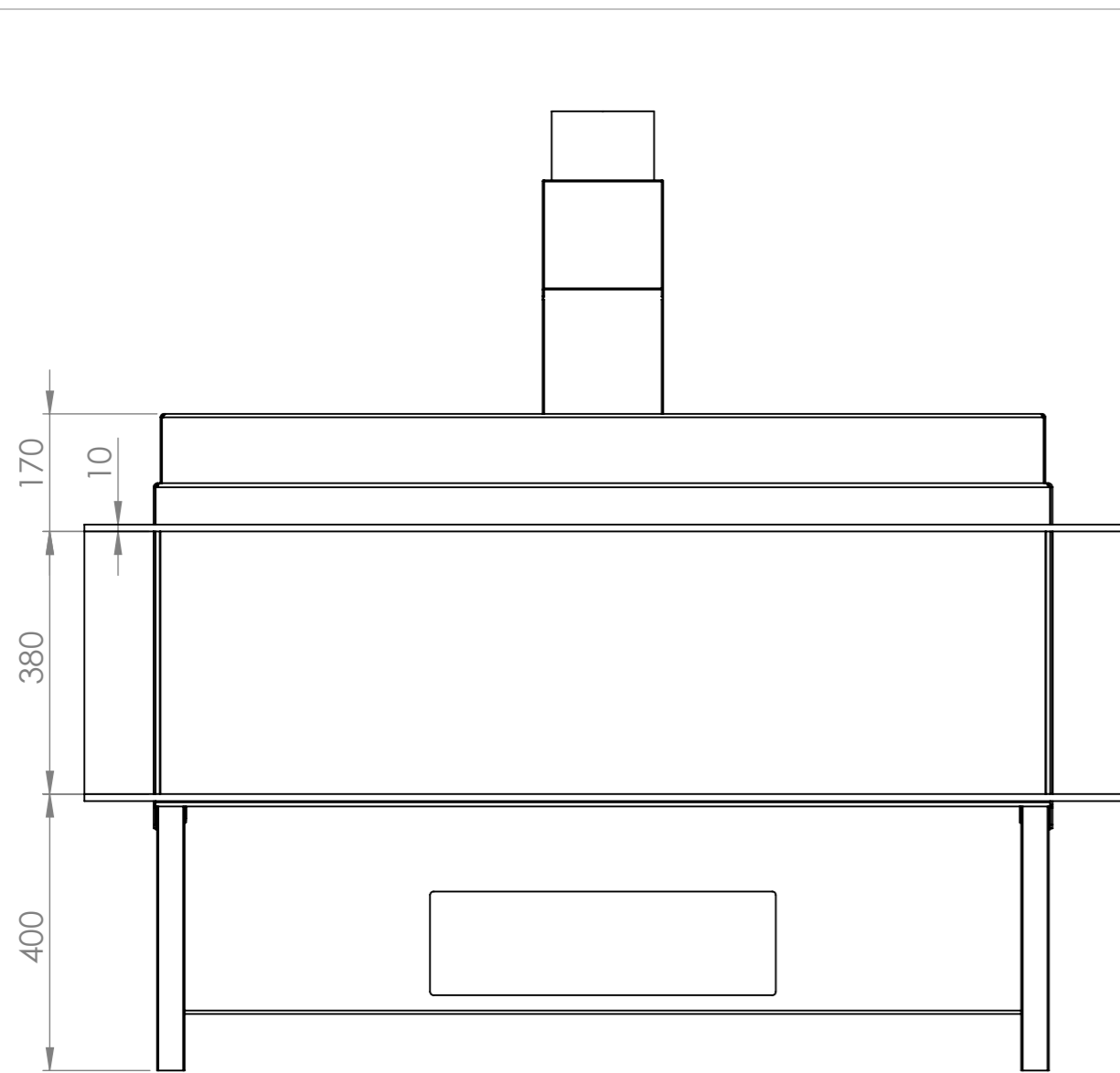
CLIENT				PROJECT GALA 4H2 - Panoramic model Slim frame 100/10 - Line burner B11 - 130 - Convection system		ALL RIGHTS RESERVED AND COPYRIGHTS BY	
				PART NUMBER GA4H2-SLF000-B11		 Vero Design Zagerijstraat 23 B-2960 Sint-Job	
DRAWN		DATE 26/03/2019	SIGN	MATERIAL:	UNLESS OTHERWISE SPECIFIED: DIMENSIONS ARE IN MILLIMETERS TOLERANCES: ISO 2768 m K		DEBURR AND BREAK SHARP EDGES
CHK'D			WEIGHT:				
APPV'D			FINISH:				
						 A3 SCALE:1:10	
						DO NOT SCALE DRAWING SHEET 2 OF 2	


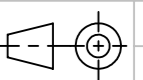


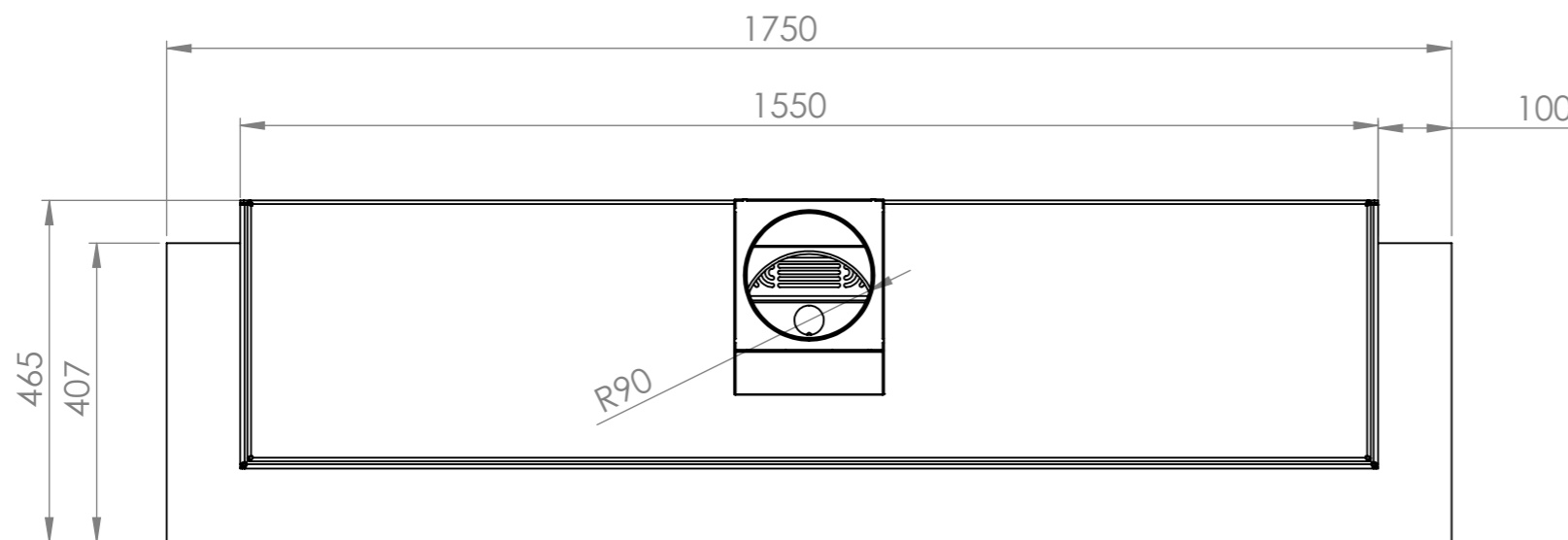
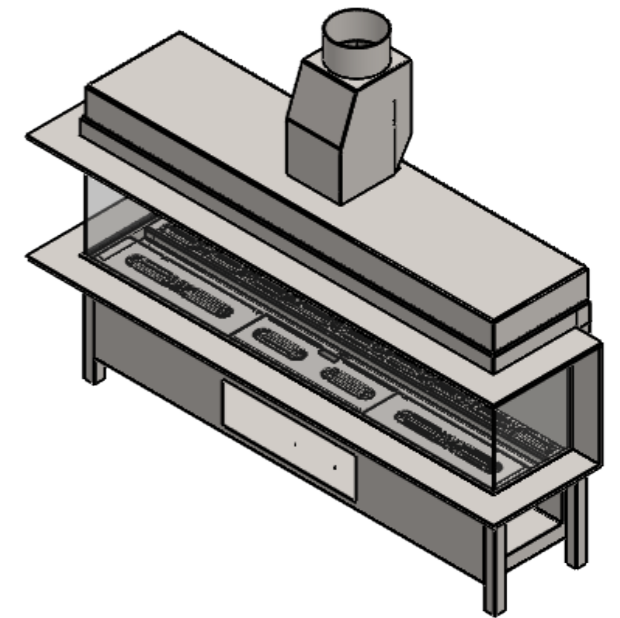
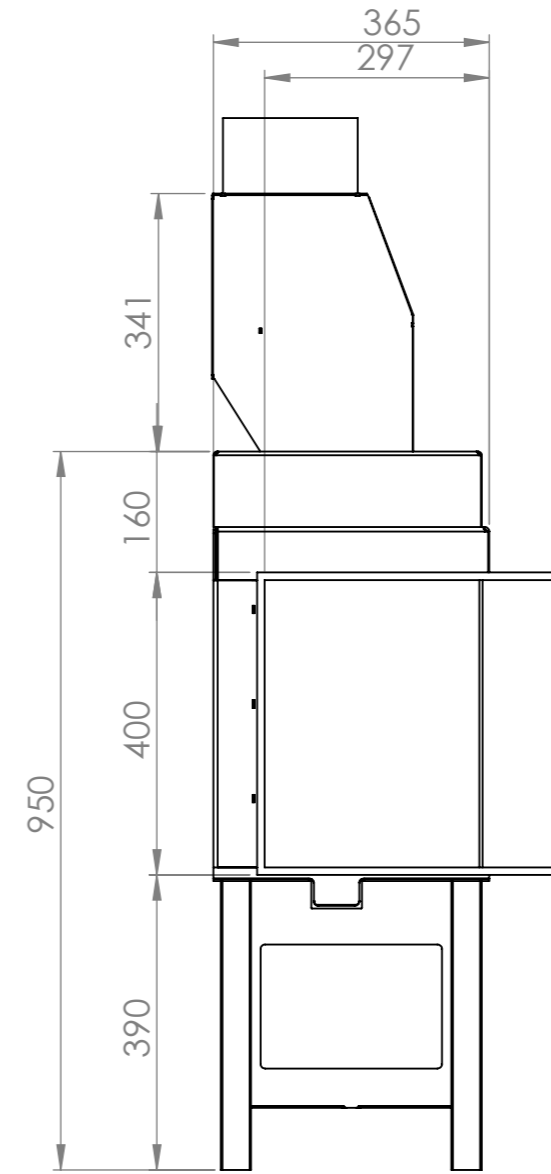
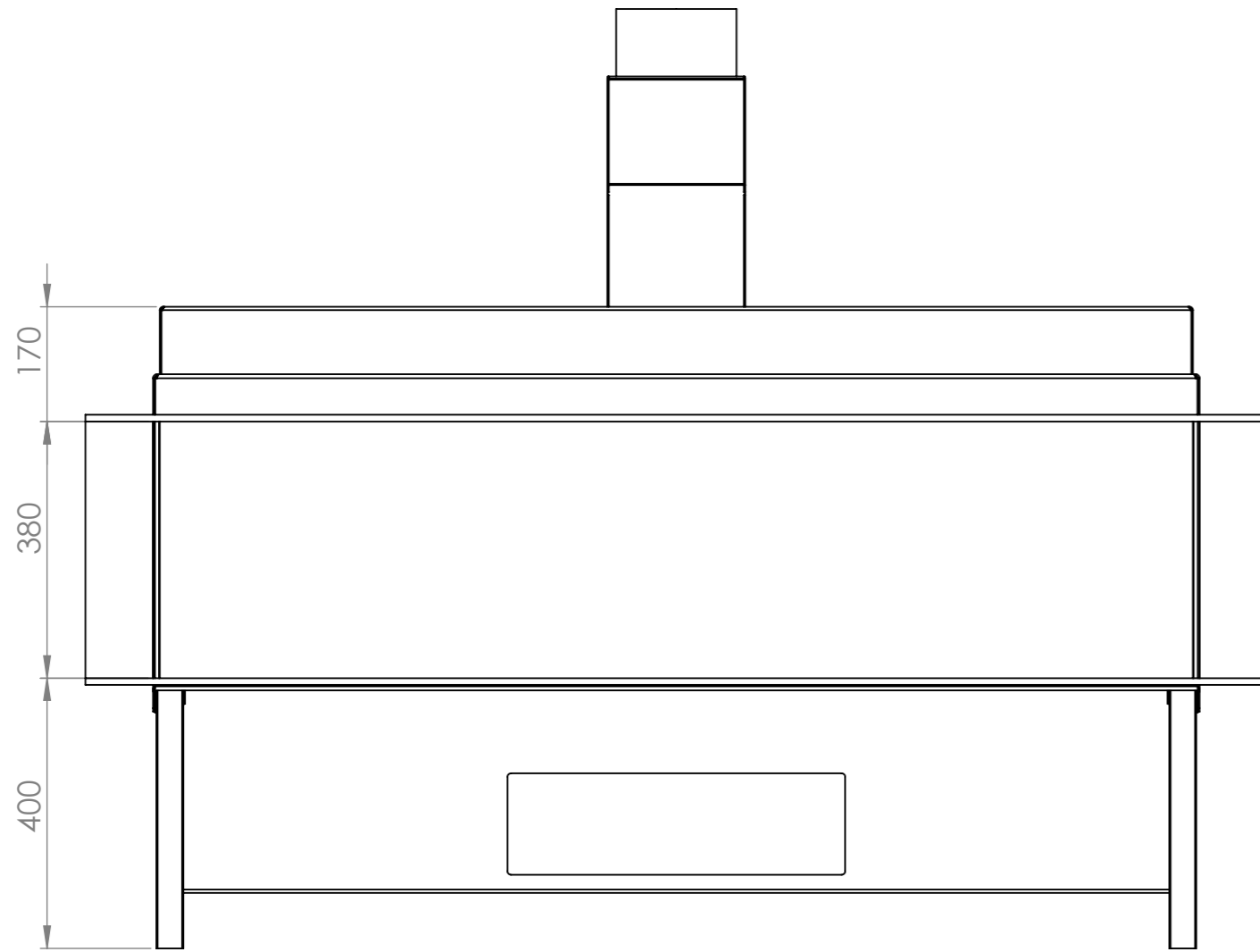
CLIENT				PROJECT GALA 4H2 - Panoramic model Slim frame 100/10 - Line burner B11 - 130 - No convection system		ALL RIGHTS RESERVED AND COPYRIGHTS BY	
				PART NUMBER GA4H2-SLF000-B11		 Vero Design Zagerijstraat 23 B-2960 Sint-Job	
DRAWN	NAME	DATE 26/03/2019	SIGN	MATERIAL:	UNLESS OTHERWISE SPECIFIED: DIMENSIONS ARE IN MILLIMETERS TOLERANCES: ISO 2768 m K	DEBURR AND BREAK SHARP EDGES	
CHK'D			WEIGHT:				
APPV'D			FINISH:				
						DO NOT SCALE DRAWING	
						A3 SCALE:1:10 SHEET 1 OF 2	



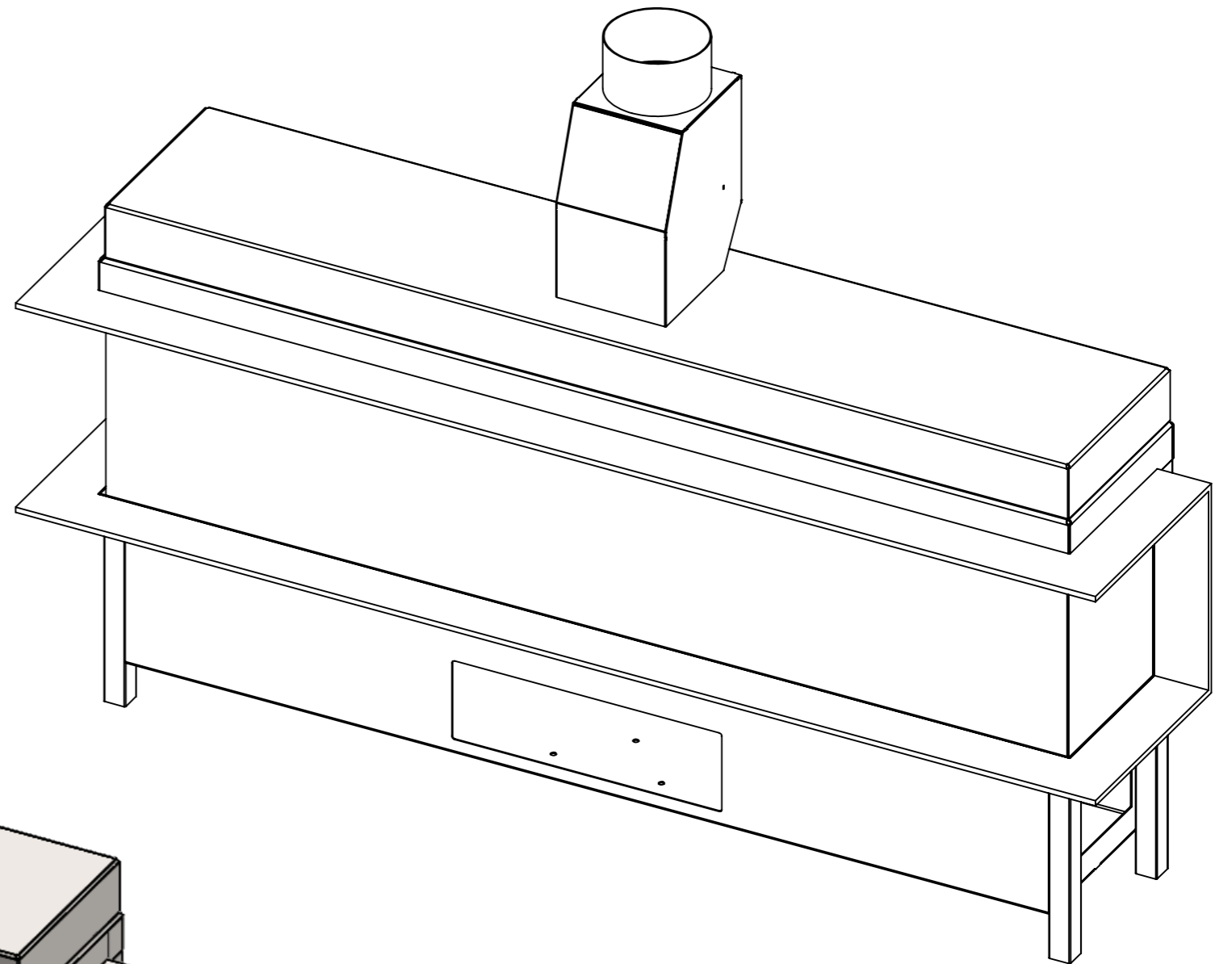
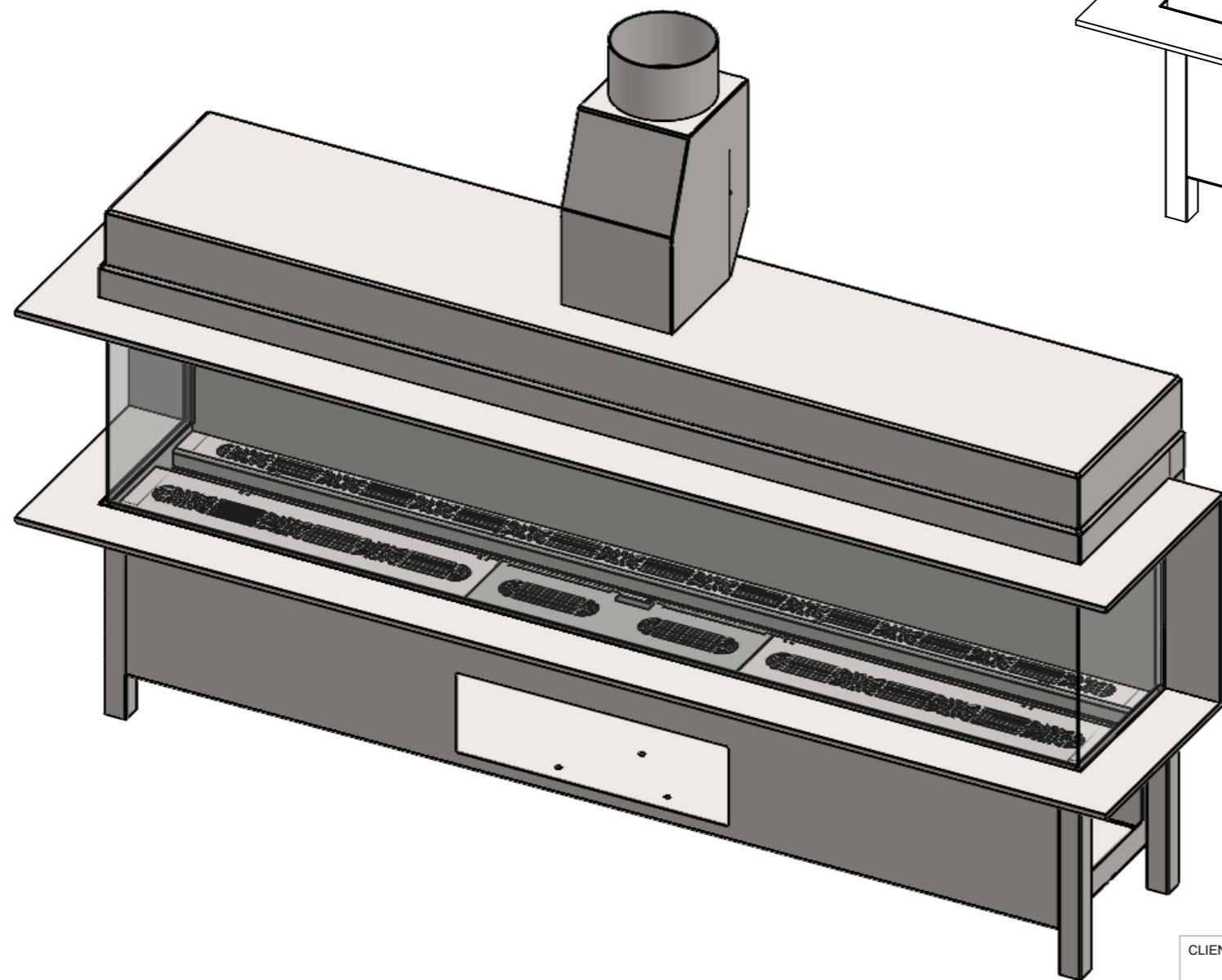
CLIENT				PROJECT GALA 4H2 - Panoramic model Slim frame 100/10 - Line burner B11 - 130 - No convection system		ALL RIGHTS RESERVED AND COPYRIGHTS BY	
				PART NUMBER GA4H2-SLF000-B11		 Vero Design Zagerijstraat 23 B-2960 Sint-Job	
DRAWN	NAME	DATE 26/03/2019	SIGN	MATERIAL:	UNLESS OTHERWISE SPECIFIED: DIMENSIONS ARE IN MILLIMETERS TOLERANCES: ISO 2768 m K		A3 SCALE:1:10 SHEET 2 OF 2
CHK'D			WEIGHT:				
APPV'D			FINISH:				
						DO NOT SCALE DRAWING	


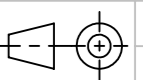


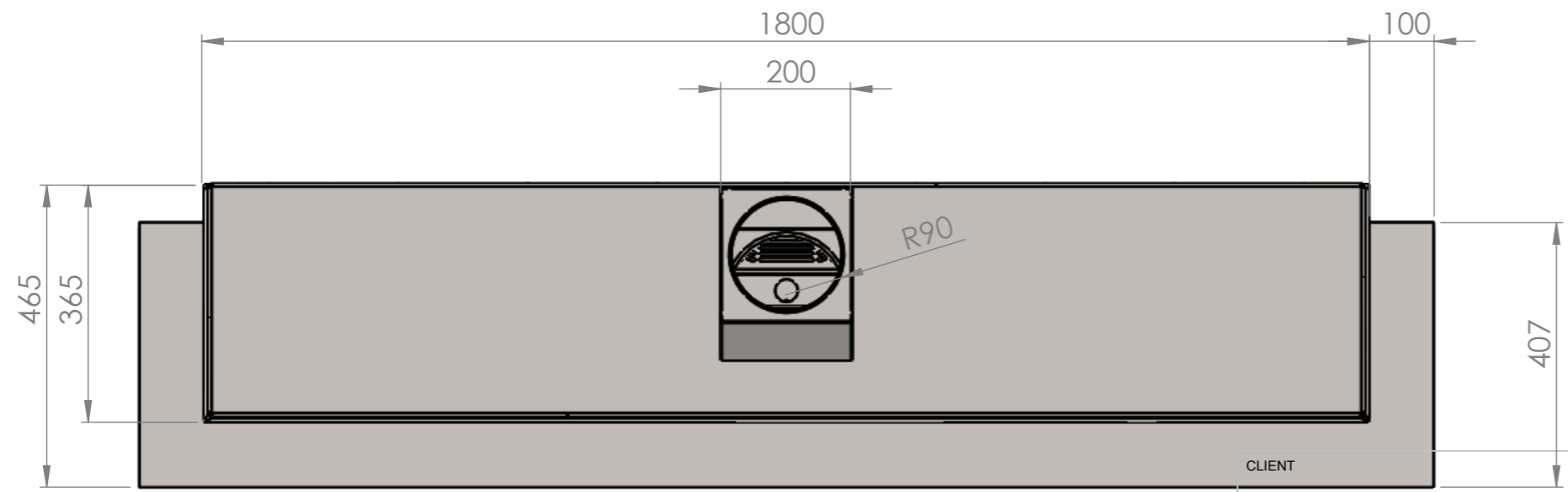
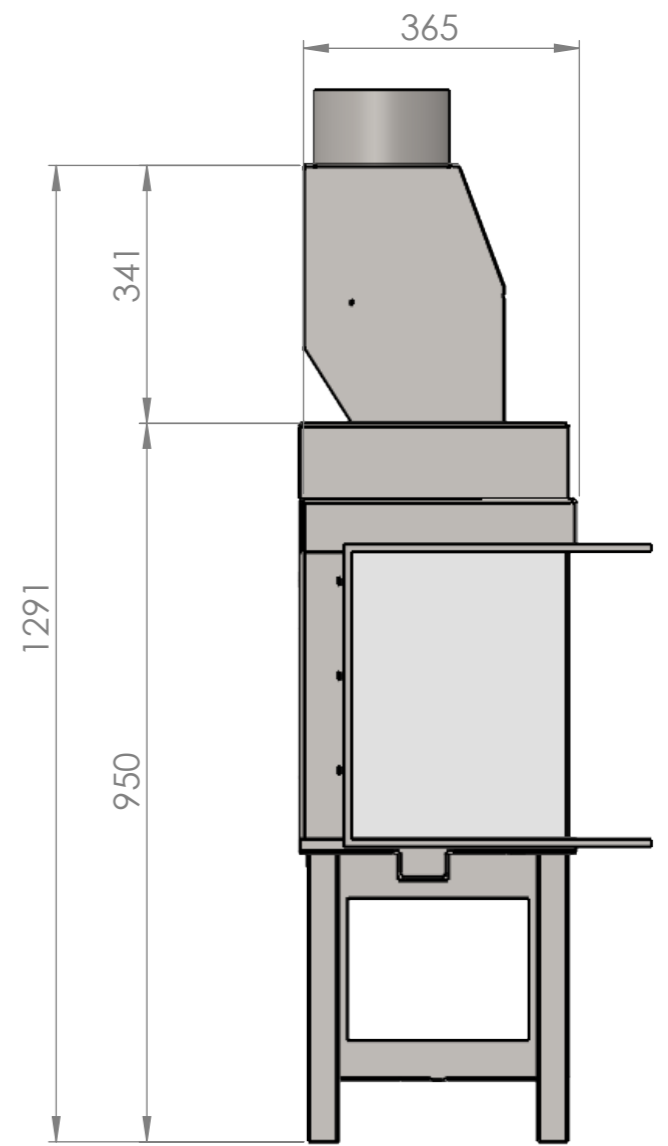
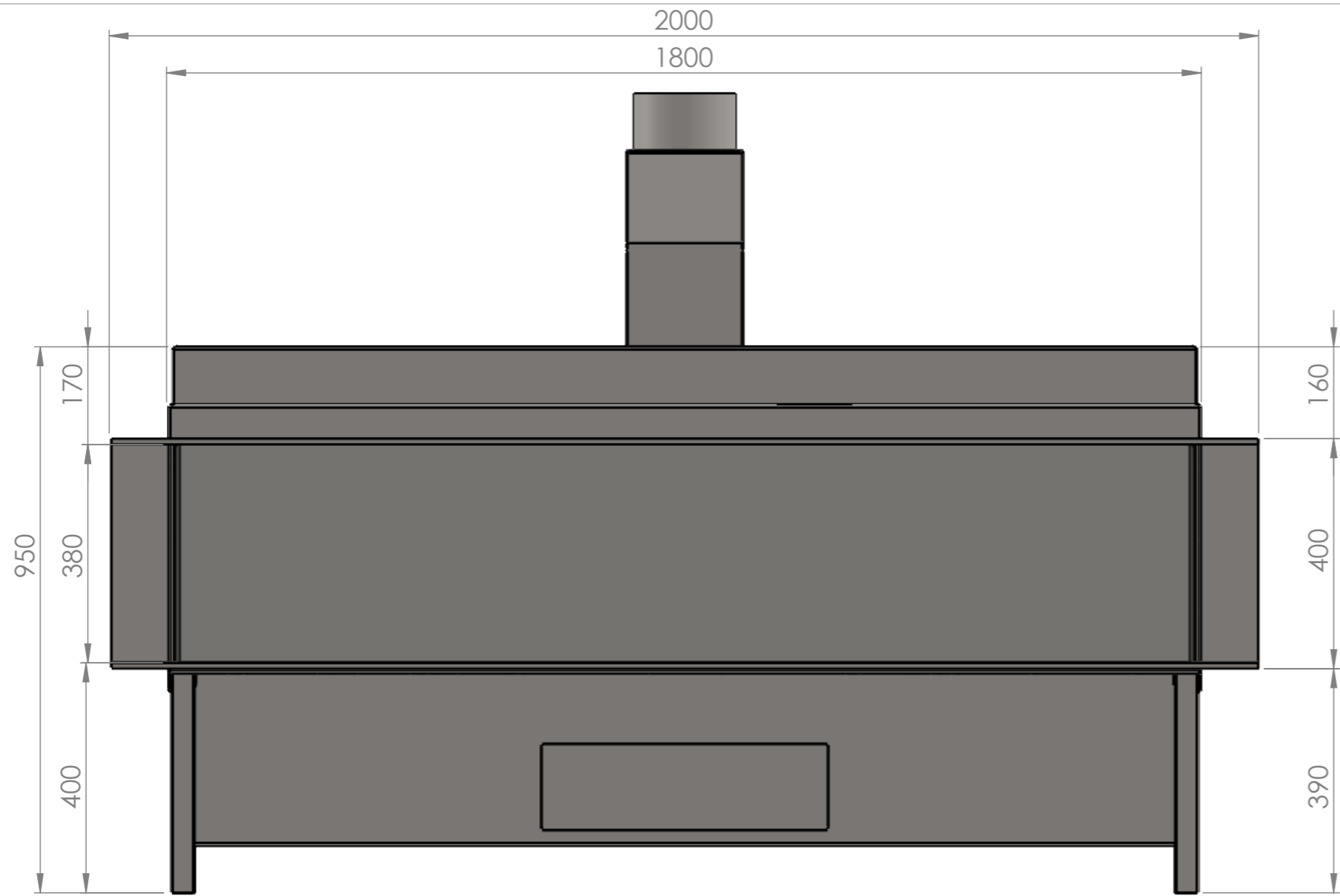
CLIENT				PROJECT Gala 5 Panoramic model Slim frame 100 - Line burner B11/150		ALL RIGHTS RESERVED AND COPYRIGHTS BY	
				PART NUMBER GA5H2-B11-SLF		 Vero Design Zagerijstraat 23 B-2960 Sint-Job	
DRAWN	NAME	DATE 23/05/2019	SIGN	MATERIAL:	UNLESS OTHERWISE SPECIFIED: DIMENSIONS ARE IN MILLIMETERS TOLERANCES: ISO 2768 m K	DEBURR AND BREAK SHARP EDGES	 A3 SCALE:1:10
CHK'D			WEIGHT:				
APPV'D			FINISH:				
						DO NOT SCALE DRAWING	SHEET 1 OF 1



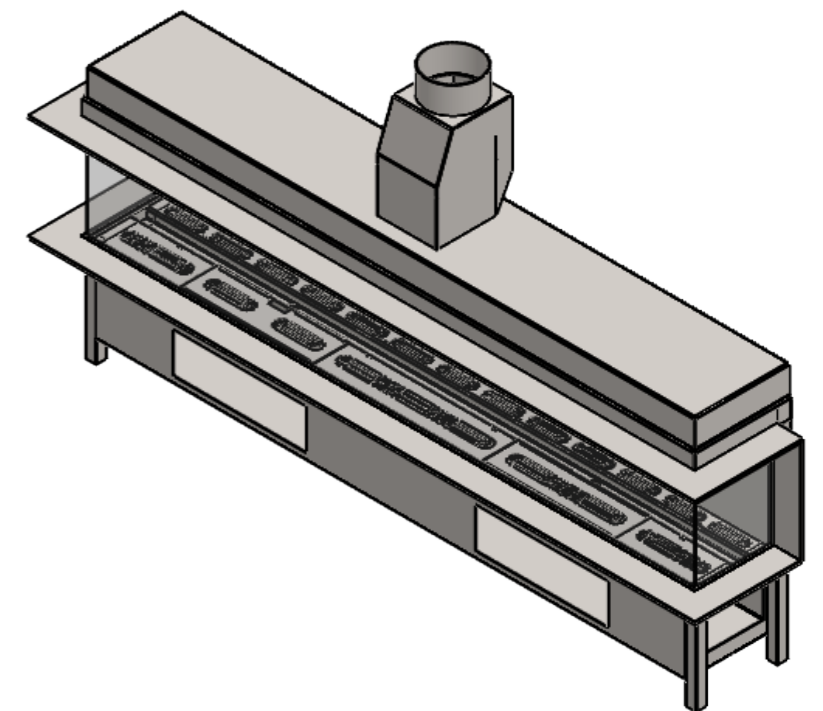
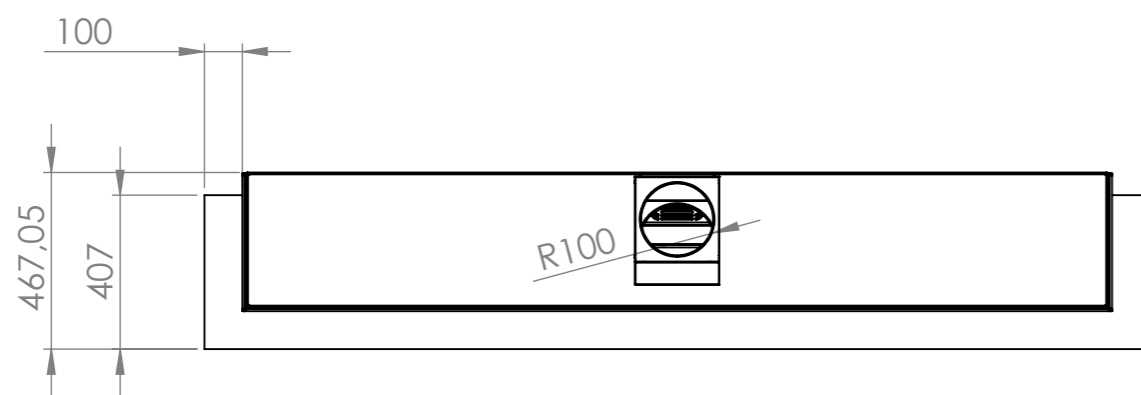
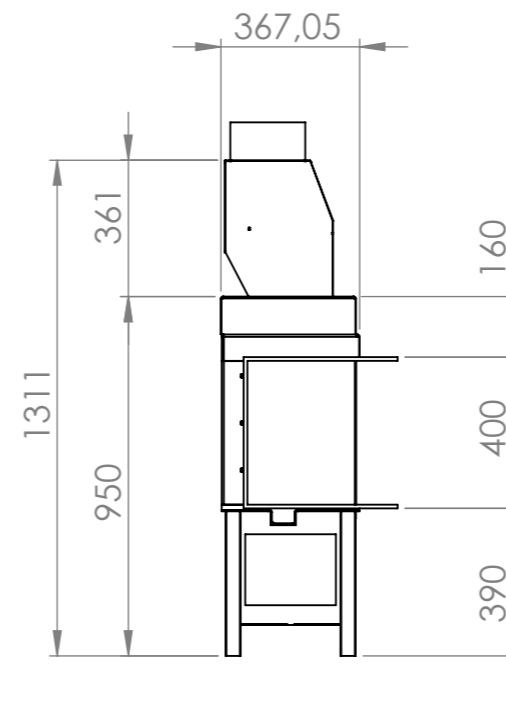
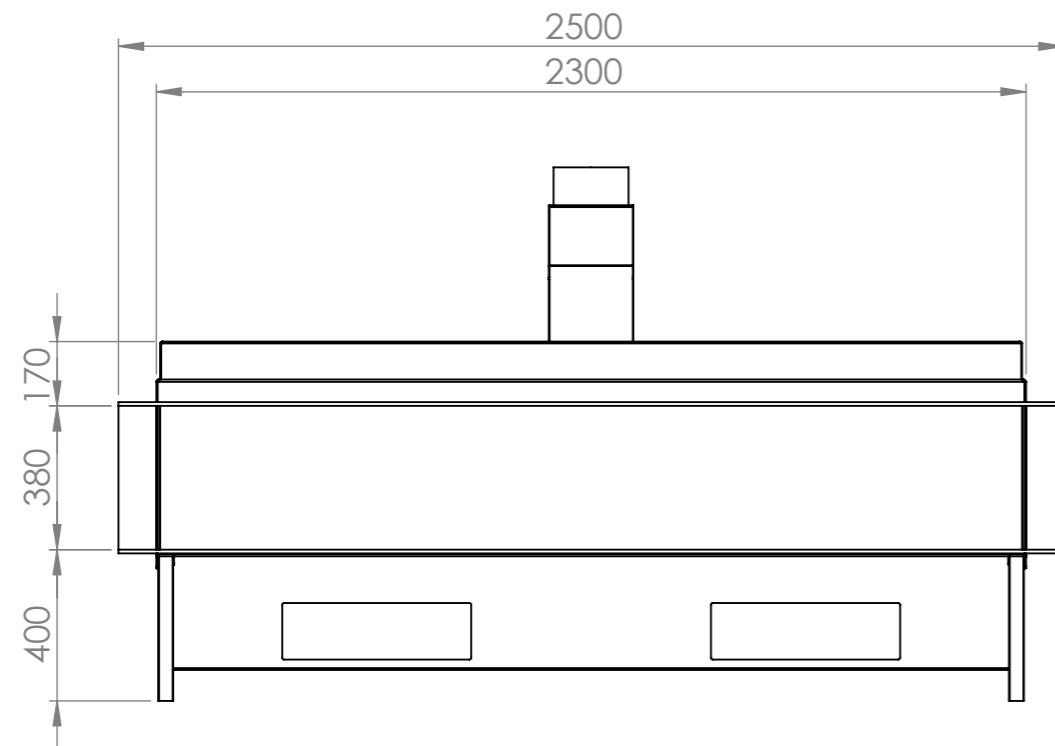
CLIENT				PROJECT Gala 6 Panoramic B11 180 - Slime frame 100/10 Line burner		ALL RIGHTS RESERVED AND COPYRIGHTS BY		
				PART NUMBER		VERO Vero Design Zagerijstraat 23 DESIGN B-2960 Sint-Job		
DRAWN	NAME	DATE	SIGN	GA6H2-B11-SLF000		UNLESS OTHERWISE SPECIFIED: DIMENSIONS ARE IN MILLIMETERS TOLERANCES: ISO 2768 m K	DEBURR AND BREAK SHARP EDGES	
CHK'D				MATERIAL:				
APPV'D				WEIGHT:				
				FINISH:		DO NOT SCALE DRAWING	A3 SCALE:1:10 SHEET 1 OF 1	


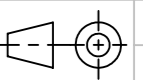


CLIENT				PROJECT GALA 7H2 - Panoramic model Slim frame 100 - Line burner B11 - 180		ALL RIGHTS RESERVED AND COPYRIGHTS BY	
	NAME	DATE	SIGN	PART NUMBER GA7H2-B11-SLF		 Vero Design Zagerijstraat 23 B-2960 Sint-Job	 A3 SCALE:1:10
DRAWN		20/05/2019		MATERIAL:	UNLESS OTHERWISE SPECIFIED: DIMENSIONS ARE IN MILLIMETERS TOLERANCES: ISO 2768 m K		
CHK'D				WEIGHT:			
APPV'D				FINISH:			
						DO NOT SCALE DRAWING	SHEET 1 OF 2



CLIENT				PROJECT GALA 7H2 - Panoramic model Slim frame 100 - Line burner B11 - 180		ALL RIGHTS RESERVED AND COPYRIGHTS BY VERO DESIGN Vero Design Zagerijstraat 23 B-2960 Sint-Job		
DRAWN	NAME	DATE	SIGN	PART NUMBER GA7H2-B11-SLF		UNLESS OTHERWISE SPECIFIED: DIMENSIONS ARE IN MILLIMETERS TOLERANCES: ISO 2768 m K	DEBURR AND BREAK SHARP EDGES	
CHK'D		20/05/2019		MATERIAL:				
APPV'D				WEIGHT:				
				FINISH:		DO NOT SCALE DRAWING	A3 SCALE:1:10 SHEET 2 OF 2	



CLIENT				PROJECT Gala 8 H2 - Panoramisch B11 Schouw 200 - SLF100 Lijnbrander		ALL RIGHTS RESERVED AND COPYRIGHTS BY	
				PART NUMBER GA8H2-B11-SLF		 Vero Design Zagerijstraat 23 B-2960 Sint-Job	
DRAWN	NAME	DATE 5/08/2019	SIGN	MATERIAL:	UNLESS OTHERWISE SPECIFIED: DIMENSIONS ARE IN MILLIMETERS TOLERANCES: ISO 2768 m K	DEBURR AND BREAK SHARP EDGES	 A3 SCALE:1:20
CHK'D			WEIGHT:				
APPV'D			FINISH:				
						DO NOT SCALE DRAWING	SHEET 1 OF 1